

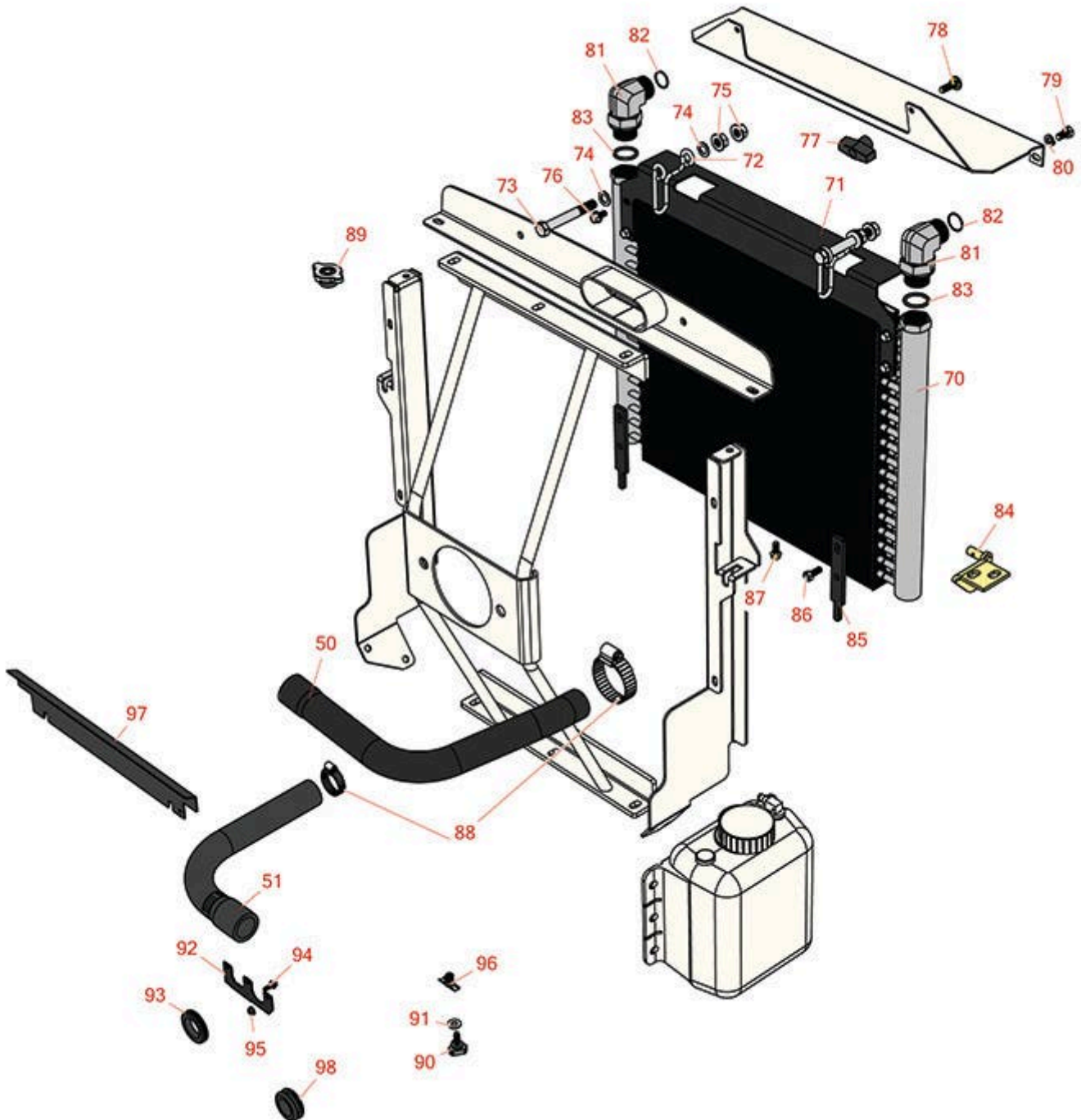


Replaces Toro Groundsmaster 4010-D

Parts

Rotary Mower - Model 30446

Cooler Support



All original equipment manufacturers names and part numbers are used for identification purposes only, and we are in no way implying that our products are original equipment parts. Prices subject to change without notice.



Replaces Toro Groundsmaster 4010-D Parts

Rotary Mower - Model 30446
Cooler Support



Item No	R&R Part No.	OEM Part No.	Description	Qty Req	Order Quantity
Hoses					
50	R114-3831	114-3831	Hose- Radiator - Upper	1	
51	R114-3832	114-3832	Hose - Radiator - Lower	1	
Other Parts Available					
70	R150955	110-0485	Cooler - Hydraulic Oil	1	
71	R104-5428	104-5428, 104-5428-03, 114-4193	Bracket-Oil Cooler	1	
72	R104-5429	104-5429	Clamp - Form, Wire	2	
73	R325-17	01-150-0640, 01-150-0850, 01-178-0832, 01-178-0836, 20-97-AGD, 325-17, 325-18, 48-9260	Bolt - Hex Head	2	
74	R455012	3256-26, 41-8440	Washer - Flat 1/2 x 3/4	4	
75	R32128-49	32128-49	Nut - 1/2-13 Hex Flange	4	
76	R3234-14	3234-14, 3234-23	Bolt - Hex Serrated Washer HD	8	
77	R98-7134	20-0860, 98-7134, Aug-90, Dec-10	Knob - Handle	1	
78	R3230-22	3230-22, R3230-22	Bolt - Carriage 5/16-18 x 1	1	
79	R322-2	322-2, 513338P	Bolt - Hex HD 5/16-18 x 5/8	2	

All original equipment manufacturers names and part numbers are used for identification purposes only, and we are in no way implying that our products are original equipment parts. Prices subject to change without notice.



Replaces Toro Groundsmaster 4010-D Parts

Rotary Mower - Model 30446
Cooler Support



Item No	R&R Part No.	OEM Part No.	Description	Qty Req	Order Quantity
80	R3253-4	01-166-0110, 01-166-0510, 23-10-GD, 24-7170, 30-8520, 3253-4, 42-9850, 48-9350, 48-9360, 48-9570, 68-9420, 99-7577	Washer - Lock 5/16 Zinc	2	
81	R104-3796	104-3796, 104-8315	Hydraulic Fitting - 90 Deg	2	
82	R340-65	340-65	O-Ring	2	
83	R237-81	237-81, 237.81, 327-81	O-Ring	2	
84	R104-3589	104-3589	Screen Pivot Assy	2	
85	R117-5657-03	117-5657-03	Plate-Mount, Oil Cooler	2	
86	R322-4	322-4, 3290-115, 908018P	Bolt - Hex HD 5/16-18 x 7/8	4	
87	R3234-47	3234-47	Bolt - Flanged Hx HD	11	
88	R2412-111	2412-111	Clamp - Hose - Worm	4	
89	R93-5957	93-5957	Cap - Radiator	1	
90	R95-9648	95-9648	Knob - 3/8-16 Thread	1	

All original equipment manufacturers names and part numbers are used for identification purposes only, and we are in no way implying that our products are original equipment parts. Prices subject to change without notice.



Replaces Toro Groundsmaster 4010-D Parts

Rotary Mower - Model 30446
Cooler Support



Item No	R&R Part No.	OEM Part No.	Description	Qty Req	Order Quantity
91	R453011	01-166-0100, 01-166-0120, 01-166-0270, 01-166-0500, 01-166-0600, 01-166-0620, 132-4593, 2356-3, 237-12, 24-10-AD, 24-11-AD, 24-11-BD, 24-12-AD, 24-12-BD, 30-9310, 32-8190, 3256-24, 3256-3, 3256-36, 3256-4, 453011, 47-9950, 48-9220, 513458, 7-0052	Washer - Flat 3/8 SAE Y/Zinc	2	
92	R106-6773-03	104-8311, 106-6773-03	Plate	2	
93	R240-3	240-3	Grommet- Rubber	1	
94	R3234-33	3234-33	Bolt - 1/4-20 x 3/4 Serr Hex Flanged	4	
95	R32128-33	32128-33	Nut - 1/4-20 Flanged Serr	4	
96	R304-46	304-46	Draincock	1	
97	R119-0097-03	119-0097-03	Shield - Hood	1	
98	R237-165	237-165	Grommet	1	

All original equipment manufacturers names and part numbers are used for identification purposes only, and we are in no way implying that our products are original equipment parts. Prices subject to change without notice.