

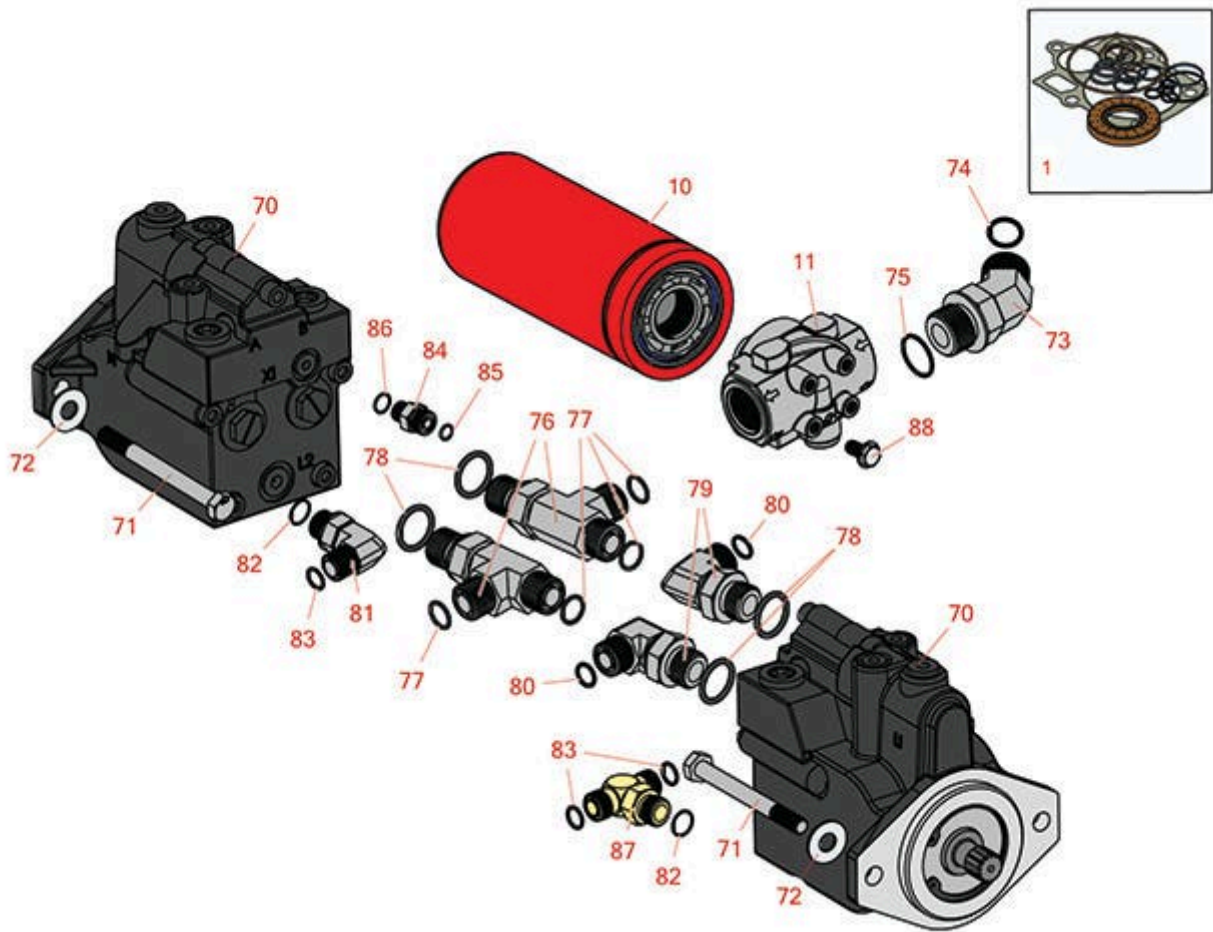


Replaces Toro Groundsmaster 4010-D

Parts

Rotary Mower - Model 30607

Steering Hydraulics



All original equipment manufacturers names and part numbers are used for identification purposes only, and we are in no way implying that our products are original equipment parts. Prices subject to change without notice.



Replaces Toro Groundsmaster 4010-D Parts

Rotary Mower - Model 30607
Steering Hydraulics



Item No	R&R Part No.	OEM Part No.	Description	Qty Req	Order Quantity
Overhaul Kit					
1	R121-1736	121-1736	Overhaul Seal Kit	1	
Filters					
10	R94-2621	94-2621	Baldwin Oil Filter - Hyd	1	
11	R121-1577	121-1577	Head - Filter	1	
Other Parts Available					
70	R120-8812	120-8812	Hydraulic Motor Assy	2	
71	R33116-120	33116-120	Bolt - M12-1.75 x 120mm Hx HD	4	
72	R106-9888	106-9888	Washer-Flat	4	
73	R104-3509	104-3509	Hydraulic Fitting - 45 Deg	1	
74	R340-65	340-65	O-Ring	1	
75	R237-146	237-146, 340-146	O-Ring	1	
76	R340-148	340-148	Fitting-Tee	2	
77	R237-58	237-58	O-Ring	4	
78	R237-81	237-81, 237.81, 327-81	O-Ring	4	
79	R340-139	340-139	Hydraulic Fitting - 90 Deg	2	
80	R237-65	237-65, 237.65	O-Ring	2	
81	R340-98	340-98	Hydraulic Fitting	2	
82	R237-79	237-79	O-Ring	2	

All original equipment manufacturers names and part numbers are used for identification purposes only, and we are in no way implying that our products are original equipment parts. Prices subject to change without notice.



Replaces Toro Groundsmaster 4010-D Parts

Rotary Mower - Model 30607
Steering Hydraulics



Item No	R&R Part No.	OEM Part No.	Description	Qty Req	Order Quantity
83	R237-30	23-6320, 237-30	O-Ring - Seal	3	
84	R340-2	340-2, 60-1920	Hydraulic Fitting - Striaight	1	
85	R237-22	107-8844, 237-22, 237-78	O-Ring	1	
86	R237-42	237-42, 31-4160	O-Ring	1	
87	R340-157	340-157	Hydraulic Fitting - Tee	1	
88	R3234-1	321-11, 3234-1	Bolt - Flanged Serrated Hex HD 3/8-16 x 3/4	4	

All original equipment manufacturers names and part numbers are used for identification purposes only, and we are in no way implying that our products are original equipment parts. Prices subject to change without notice.