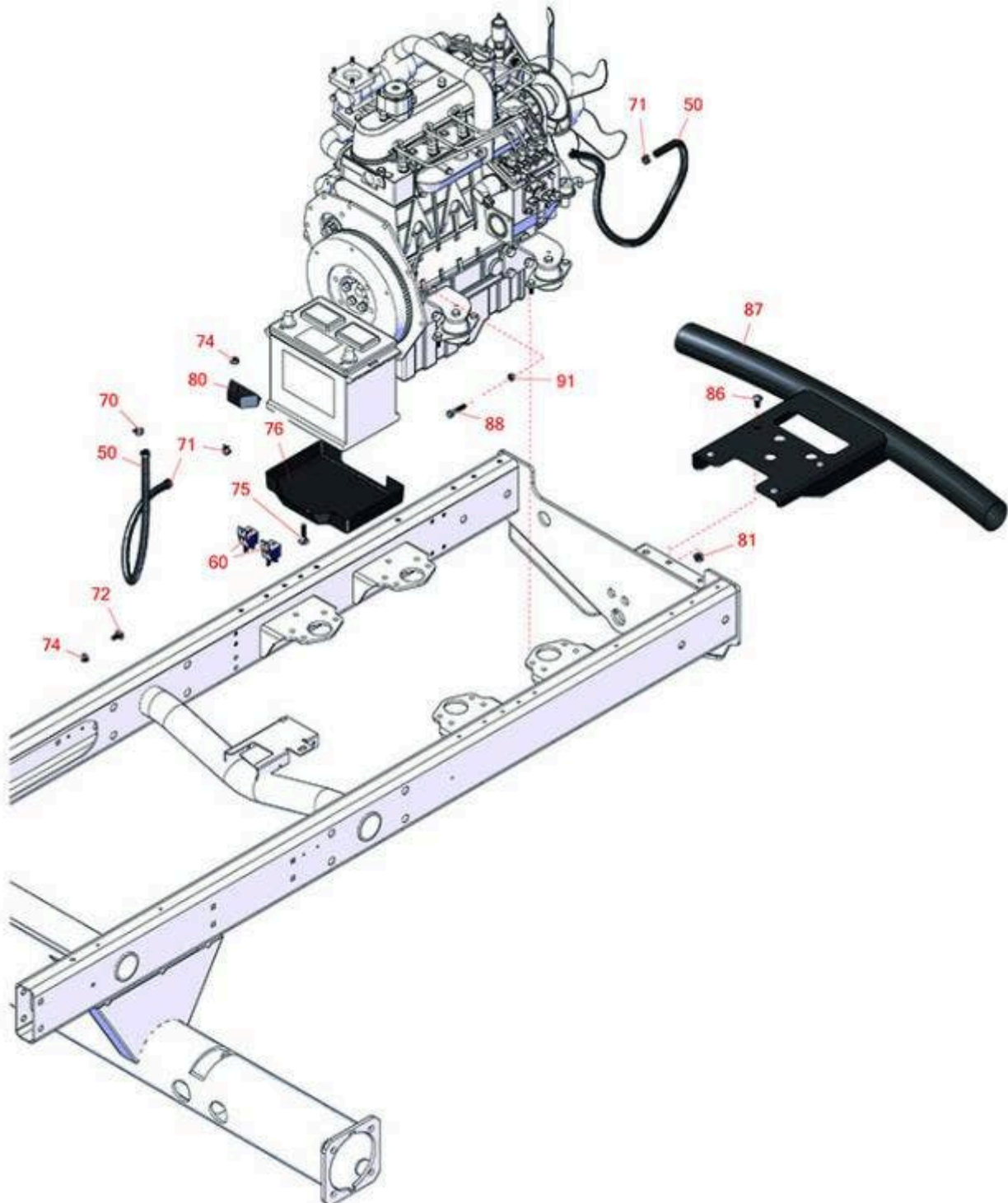




Replaces Toro Reelmaster 5510-G Parts

Traction Unit
Fuel System & Tank



All original equipment manufacturers names and part numbers are used for identification purposes only, and we are in no way implying that our products are original equipment parts. Prices subject to change without notice.



Replaces Toro Reelmaster 5510-G Parts

*Traction Unit
Fuel System & Tank*



Item No	R&R Part No.	OEM Part No.	Description	Qty Req	Order Quantity
Hoses					
50	R110-3257	110-3257, 63-7630	Hose-Fuel	2	
Gauges and Controls					
60	R99-7435	99-7435	Relay - 70 Amp	2	
Other Parts Available					
70	R2412-146	2412-146	Hose Clamp	1	
71	R92-2379	92-2379	Clamp - Hose	5	
72	R3230-1	01-173-0506, 3230-1, 3230-20, 900037P	Bolt - Carriage 5/16-18 x 3/4	1	
74	R104-8300	104-8300, 104-8300 , 119-4041	Locknut - 5/16-18 Flanged Y/Zinc	4	
75	R3230-6	3230-6	Bolt - Carriage	1	
76	R99-3513	99-3513	Tray - Battery	1	
80	R66-2490	66-2490	Retainer - Battery	1	
81	R104-8301	104-8301, 104-9301, 109-6658, 133-7570	Locknut - 3/8-16 Nylon Flanged	4	
86	R3231-21	3231-21	Screw - 3/8-16 x 3/4 Carriage	4	
87	R110-8951-03	110-8951-03	Bumper Assy	1	
88	R322-17	322-17	Bolt	1	

All original equipment manufacturers names and part numbers are used for identification purposes only, and we are in no way implying that our products are original equipment parts. Prices subject to change without notice.



Replaces Toro Reelmaster 5510-G Parts

*Traction Unit
Fuel System & Tank*



Item No	R&R Part No.	OEM Part No.	Description	Qty Req	Order Quantity
91	R3296-29	1-804256, 3290-357, 3296-29, 915662P	Locknut - 5/16-18 ESNA	1	

All original equipment manufacturers names and part numbers are used for identification purposes only, and we are in no way implying that our products are original equipment parts. Prices subject to change without notice.