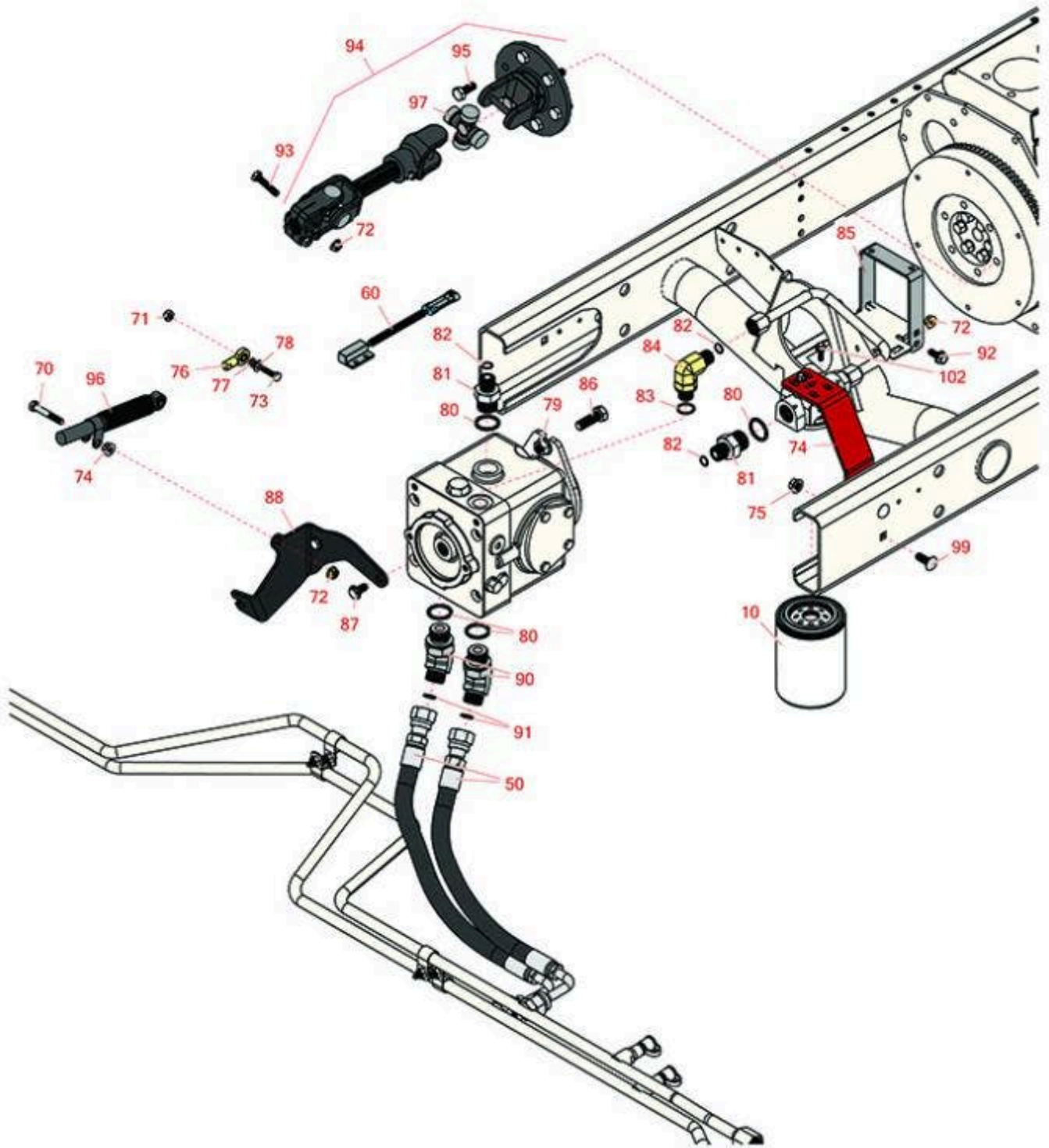




Replaces Toro Reelmaster 5510-G Parts

Traction Unit

Driveshaft & Hydraulic Pump



All original equipment manufacturers names and part numbers are used for identification purposes only, and we are in no way implying that our products are original equipment parts. Prices subject to change without notice.



Replaces Toro Reelmaster 5510-G Parts

Traction Unit

Driveshaft & Hydraulic Pump



Item No	R&R Part No.	OEM Part No.	Description	Qty Req	Order Quantity
---------	--------------	--------------	-------------	---------	----------------

Hoses

10	R86-3010	23-9740, 239470, 28-1370, 281370, 353-387, 353387, 54-0110, 540110, 76-6490, 86-3010, 863010, Dec-70	Baldwin Hydraulic Oil Filter	1	
----	-----------------	---	------------------------------	---	--

Filters

50	R108-1679	108-1679	Hydraulic Hose Assy	2	
----	------------------	----------	---------------------	---	--

Gauges and Controls

60	R100-1270	100-1270	Sensor - Proximity	1	
----	------------------	----------	--------------------	---	--

Other Parts Available

70	R322-10	20-30-AD, 24-7180, 322-10, 322-10 , 3223-6, 513347	Bolt - Hex HD 5/16-18 x 2	2	
----	----------------	---	---------------------------	---	--

71	R301504	2296-42, 301504, 32127-24, 32128-33, 32146-17, 3296-16, 3296-42, 3296-42 , 915661P	Locknut - ESNA 1/4-20	2	
----	----------------	--	-----------------------	---	--

72	R104-8300	104-8300, 104-8300 , 119-4041	Locknut - 5/16-18 Flanged Y/Zinc	6	
----	------------------	-------------------------------------	----------------------------------	---	--

All original equipment manufacturers names and part numbers are used for identification purposes only, and we are in no way implying that our products are original equipment parts. Prices subject to change without notice.



Replaces Toro Reelmaster 5510-G Parts

Traction Unit

Driveshaft & Hydraulic Pump



Item No	R&R Part No.	OEM Part No.	Description	Qty Req	Order Quantity
73	R400116	20-7-AD, 30-9680, 321-69, 321-9, 3222-3, 400116	Bolt - Hex HD 1/4-20 x 1-1/2	2	
74	R110-0906-01	110-0906-01	Support -Oil Filter	1	
75	R104-8301	104-8301, 104-9301, 109-6658, 133-7570	Locknut - 3/8-16 Nylon Flanged	2	
76	R2411-41	2411-41	Rod End - Ball Joint	1	
77	R24M7139	24M7139, 3256-16, 33093-00, 43-5930	Washer - Flat 6mm	1	
78	R3256-22	24-9-BD, 3-1032, 3256-1, 3256-22, 93-0954, 93-0989	Washer - Flat 1/4 Yellow	1	
79	R32128-49	32128-49	Nut - 1/2-13 Hex Flange	2	
80	R237-81	237-81, 237.81, 327-81	O-Ring	2	
81	R100-4240	100-4240	No 8 Orfs Male x No 12 Orb Male	3	
82	R237-30	23-6320, 237-30	O-Ring - Seal	2	
83	R237-80	237-80, 327-80	O-Ring	1	
84	R340-105	340-105	Hydraulic Fitting	1	
85	R108-1799-03	108-1799-03	Hoop-Guard	1	

All original equipment manufacturers names and part numbers are used for identification purposes only, and we are in no way implying that our products are original equipment parts. Prices subject to change without notice.



Replaces Toro Reelmaster 5510-G Parts

Traction Unit

Driveshaft & Hydraulic Pump



Item No	R&R Part No.	OEM Part No.	Description	Qty Req	Order Quantity
86	R3234-38	3234-38	Bolt - Flanged Hex 1/2-13 x 1-1/4	2	
87	R3234-1	321-11, 3234-1	Bolt - Flanged Serrated Hex HD 3/8-16 x 3/4	2	
88	R110-5323-03	110-5323-03	Bracket	1	
90	R340-156	340-156	Hydraulic Fitting	2	
91	R237-65	237-65, 237.65	O-Ring	2	
92	R3234-5	3234-5, 62-3310	Bolt - 5/16-18x3/4 Hx Ser Was HD	2	
93	R19H3130	322-9, 3223-5	Bolt - Hex HD 5/16-18 x 1-3/4	2	
94	R108-1641	108-1641	Driveshaft Assy	1	
95	R43-0090	43-0090, 95-8812	Bolt - 10mm x 1.25 x 25 Hex HD	6	
96	R76-8870	105-7280, 76-8870	Lever Damper Assy	1	
97	R54-9180	54-9180, 99-6570	Kit - U-Joint	2	
98	R3234-33	3234-33	Bolt - 1/4-20 x 3/4 Serr Hex Flanged	2	
99	R3231-2	01-157-0170, 01-173-0608, 3231-2, 3231-22, 3231-28, 900063P	Bolt - Carriage 3/8-16 x 1	2	

All original equipment manufacturers names and part numbers are used for identification purposes only, and we are in no way implying that our products are original equipment parts. Prices subject to change without notice.