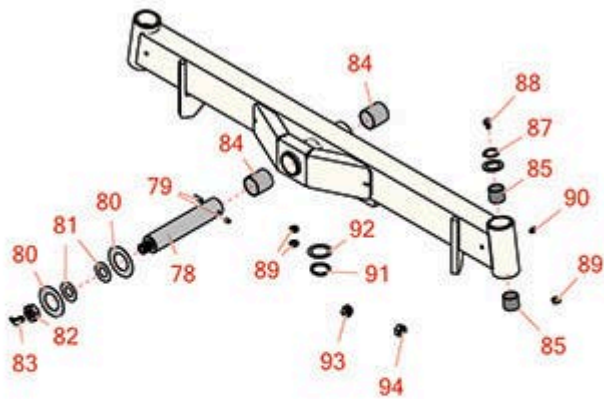




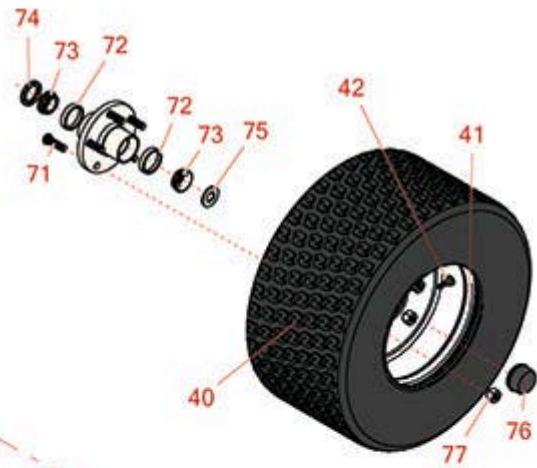
Replaces Toro Reelmaster 5500-D Parts

Traction Unit - Models 03550 & 03551

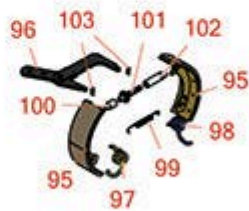
Rear Axle and Front Wheel Brake



REAR AXLE



FRONT WHEEL



All original equipment manufacturers names and part numbers are used for identification purposes only, and we are in no way implying that our products are original equipment parts. Prices subject to change without notice.



Replaces Toro Reelmaster 5500-D Parts

Traction Unit - Models 03550 & 03551

Rear Axle and Front Wheel Brake



Item No	R&R Part No.	OEM Part No.	Description	Qty Req	Order Quantity
Tires					
40	RTGG1036		Tire - 20 x 10.00-10 (6 Ply) Greenball Transmaster	2	
40	RTK1010-6TF-I	120-8910	Tire - 20x10.00-10 (6 Ply) Kenda Super Turf	2	
41	R100-2582	100-2582, 217-120, 217-125	Rim - Rear Tire 10 x 7	2	
42	R232-27	232-27, 232-31	Stem - Valve w/ Cap	2	
Other Parts Available					
71	R10-6830	10-6830, 75-9440	Stud - Wheel 1/2-20 x 1 3/4	10	
72	R254-72	01-103-0050, 01-103-0120, 01-103-0140, 1-543508, 254-71, 254-72, 40439, 62-3340, 99-4511	Cup - Bearing	4	
73	R254-94	1-543509, 254-94, 32-8090, 32-8240, 32-9640, 40440, 62-3330	Tapered Bearing Cone	4	
74	R253-129	253-129, 41321	Seal	2	
75	R93-0309	93-0309	Washer - Tab	2	

All original equipment manufacturers names and part numbers are used for identification purposes only, and we are in no way implying that our products are original equipment parts. Prices subject to change without notice.



Replaces Toro Reelmaster 5500-D Parts

Traction Unit - Models 03550 & 03551

Rear Axle and Front Wheel Brake



Item No	R&R Part No.	OEM Part No.	Description	Qty Req	Order Quantity
76	R241-119	01-269-0070, 01-269-0280, 01-286-0040, 241-119, 30-9930, 40438	Cap-Dust	2	
77	R242-50	242-50	Nut - 1/2-20 Wheel	10	
78	R140-6101	140-6101, 98-8173, 98-8173-03	Pivot Pin - Rear Lift Arm	1	
79	R32121-32	01-153-0180, 32121-32	Pin - Roll 1/4 x 1-3/4	2	
80	R99-8432	99-8432	Washer - Thrust	2	
81	R71-4540	71-4540	Washer - Thrust	2	
82	R444742	32146-20, 9150906, 915090P	Nut - 3/4-16 Gripco Centerlock	1	
83	R471219	30-8360, 302-2, 302-24, 302-31, 302-52, 471219	Zerk - Grease	1	
84	R99-6964	99-6964	Bushing - Axle	2	
85	R67-1750	67-1750	Bushing - 1 Long	4	
87	R458039	32151-36	Ring - Retaining	2	
88	R3234-13	3234-13, 960151P	Bolt - Flanged Hex 1/4-20	2	
89	R3220-3	01-191-0624, 3220-3, 3290-149	Nut - Jam Ball Joint	8	

All original equipment manufacturers names and part numbers are used for identification purposes only, and we are in no way implying that our products are original equipment parts. Prices subject to change without notice.



Replaces Toro Reelmaster 5500-D Parts

Traction Unit - Models 03550 & 03551

Rear Axle and Front Wheel Brake



Item No	R&R Part No.	OEM Part No.	Description	Qty Req	Order Quantity
90	R302-5	21-6010, 302-11, 302-37, 302-47, 302-5, 302-57, 302-58, 302-6, 31-0300, 32-9660, 60-0800, 62-3880, 92-4181	Fitting - Grease	2	
91	R32151-77	32151-77	Ring - Retaining	1	
92	R76-2980	76-2980	Washer - Thrust	1	
93	R3220-12	3220-12	Nut - 1/2-20 LH Jam Hex	2	
94	RMM607	01-158-0610, 01-191-0820, 21-3900, 3220-5, 45-0170, 5/1/3220	Nut - Jam 1/2-20 Zinc	2	
95	R84-8600	84-8590, 84-8600	Shoe - Brake Set/4	1	
96	R24-9180	21-9400, 24-9180	Lever - Parking Brake	2	
97	R21-9430	21-9430, 40472	Spring - Return RH	2	
98	R21-9420	21-9420, 40471	Spring - Return LH	2	
99	R21-9440	21-9440, 40473	Spring	2	
100	R21-9390	21-9390, 40458	Socket	2	

All original equipment manufacturers names and part numbers are used for identification purposes only, and we are in no way implying that our products are original equipment parts. Prices subject to change without notice.



Replaces Toro Reelmaster 5500-D Parts

Traction Unit - Models 03550 & 03551

Rear Axle and Front Wheel Brake



Item No	R&R Part No.	OEM Part No.	Description	Qty Req	Order Quantity
101	R21-9370	21-9370, 40456	Screw - Adjustment	2	
102	R21-9380	21-9380, 40457	Nut - Pivot	2	
103	R21-9460	21-9460, 40474	Retainer	4	

All original equipment manufacturers names and part numbers are used for identification purposes only, and we are in no way implying that our products are original equipment parts. Prices subject to change without notice.