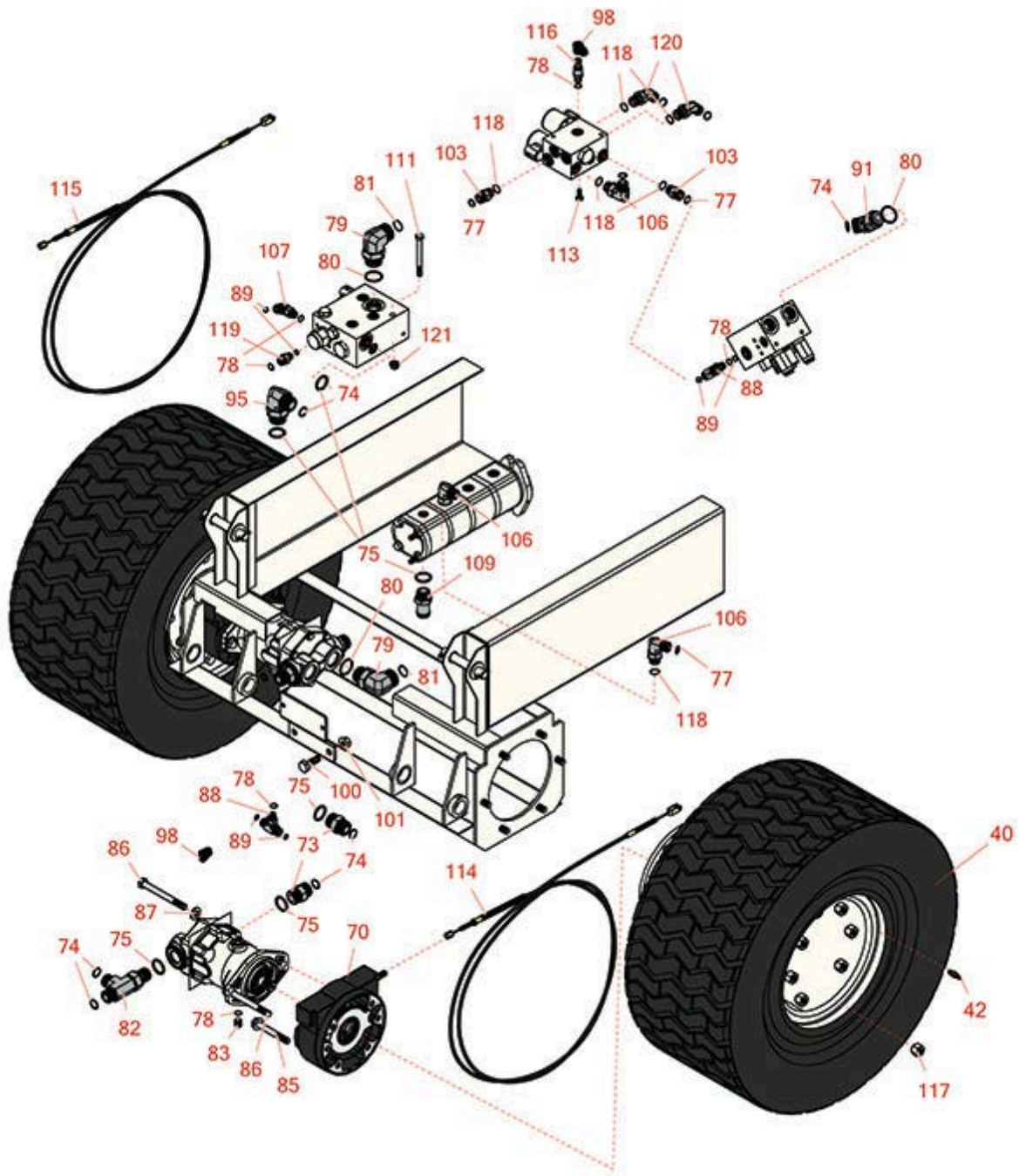
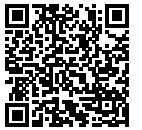




# Replaces Toro Groundsmaster 4010-D Parts

Rotary Mower - Model 30636  
Planetary, Brake And Tire Assembly



All original equipment manufacturers names and part numbers are used for identification purposes only, and we are in no way implying that our products are original equipment parts. Prices subject to change without notice.



# Replaces Toro Groundsmaster 4010-D Parts

Rotary Mower - Model 30636  
Planetary, Brake And Tire Assembly



Item No	R&R Part No.	OEM Part No.	Description	Qty Req	Order Quantity
<b>Tires &amp; Wheels</b>					
40	<b>RCT574377</b>	119-8313, 126-8033, 99-5434	Tire - 26x12.00-12 Nhs (6 Ply) Carlisle Multi Trac C/S	2	
42	<b>R232-27</b>	232-27, 232-31	Stem - Valve w/ Cap	2	
<b>Other Parts Available</b>					
70	<b>R100-3070-03</b>	100-3070-03	Brake Assy - LH	1	
70	<b>R100-3069-03</b>	100-3069-03	Brake Assy - RH	1	
73	<b>R340-9</b>	340-9	Fitting - Straight Connector	4	
74	<b>R237-58</b>	237-58	O-Ring	8	
75	<b>R237-81</b>	237-81, 237.81, 327-81	O-Ring	9	
77	<b>R237-30</b>	23-6320, 237-30	O-Ring - Seal	11	
78	<b>R237-42</b>	237-42, 31-4160	O-Ring	8	
79	<b>R340-129</b>	340-129	Hydraulic Fitting - 90 Deg	2	
80	<b>R237-146</b>	237-146, 340-146	O-Ring	4	
81	<b>R340-65</b>	340-65	O-Ring	4	
82	<b>R340-148</b>	340-148	Fitting-Tee	1	
83	<b>R353-989</b>	353-989	Plug - Hex - Hollow	1	
85	<b>R33106-090</b>	33106-090	Bolt - M12-1.75 x 90 Fl Hex HD Gr 8.8	4	
86	<b>R33116-120</b>	33116-120	Bolt - M12-1.75 x 120mm Hx HD	4	

All original equipment manufacturers names and part numbers are used for identification purposes only, and we are in no way implying that our products are original equipment parts. Prices subject to change without notice.



# Replaces Toro Groundsmaster 4010-D Parts

Rotary Mower - Model 30636  
Planetary, Brake And Tire Assembly



Item No	R&R Part No.	OEM Part No.	Description	Qty Req	Order Quantity
87	<b>R3256-26</b>	01-166-0540, 01-166-0820, 17-2530, 24-13-BD, 30-8570, 3256-26, 356206, 48-9390	Washer - 1/2 in	8	
88	<b>R340-94</b>	340-94	Adapter	2	
89	<b>R237-22</b>	107-8844, 237-22, 237-78	O-Ring	6	
91	<b>R100-5530</b>	100-5530, 98-0657	Hydraulic Fitting - 45 Deg	1	
95	<b>R340-142</b>	340-142, 95-1692	Hydraulic Fitting - 90 Deg	1	
98	<b>R354-79</b>	354-79	Cap-Dust	2	
100	<b>R400408</b>	01-150-0090, 01-178-0812, 20-87-AD, 20-87-AGD, 20-87-AGF, 3226-2, 325-6, 513376, 513378	Bolt - Hex HD 1/2-13 x 1-1/2	8	
101	<b>R32128-23</b>	32128-23, 3218-23, 99-5107	Nut - Lock Hex Flanged 1/2-13	8	
103	<b>R340-4</b>	340-4	Hydraulic Fitting - Male Connector	2	
106	<b>R340-98</b>	340-98	Hydraulic Fitting	3	
107	<b>R340-77</b>	340-100, 340-77, 95-7889	Hydraulic Fitting	1	

All original equipment manufacturers names and part numbers are used for identification purposes only, and we are in no way implying that our products are original equipment parts. Prices subject to change without notice.



# Replaces Toro Groundsmaster 4010-D Parts



*Rotary Mower - Model 30636  
Planetary, Brake And Tire Assembly*

Item No	R&R Part No.	OEM Part No.	Description	Qty Req	Order Quantity
109	<b>R99-3017</b>	99-3017	Fitting	1	
111	<b>R323-42</b>	01-178-0630, 323-42	Bolt - Hx HD 3/8-16 x 3 3/4	1	
113	<b>R322-3</b>	01-150-1420, 01-178-0506, 20-24-AD, 20-24-AGD, 322-3, 48-9270, 513339, 908017P	Bolt - Hex HD 5/16-18 x 3/4	2	
114	<b>R120-8899</b>	120-8899	Cable - Brake - LH	1	
115	<b>R120-8898</b>	120-8898	Cable - Brake - RH	1	
116	<b>R59-7410</b>	59-7410	Tip-Nipple	1	
117	<b>R242-50</b>	242-50	Nut - 1/2-20 Wheel	16	
118	<b>R237-79</b>	237-79	O-Ring	10	
119	<b>R340-2</b>	340-2, 60-1920	Hydraulic Fitting - Striaight	1	
120	<b>R340-101</b>	340-101	Hydraulic Fitting	2	
121	<b>R104-8301</b>	104-8301, 104-9301, 109-6658, 133-7570	Locknut - 3/8-16 Nylon Flanged	1	

All original equipment manufacturers names and part numbers are used for identification purposes only, and we are in no way implying that our products are original equipment parts. Prices subject to change without notice.