

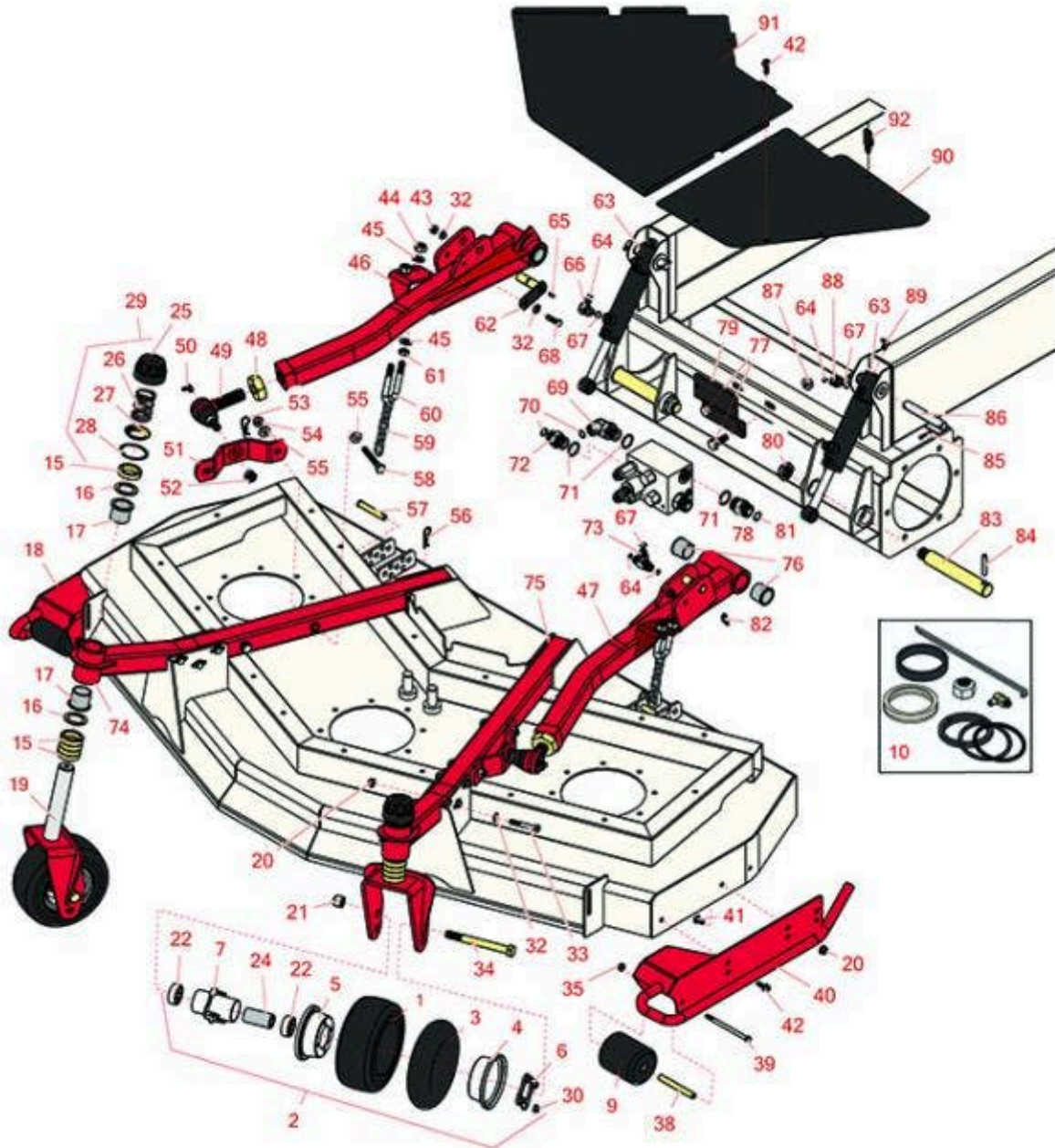


# Replaces Toro Groundsmaster 4010-D

## Parts

Rotary Mower - Model 30636

Front Deck Lift Arms



All original equipment manufacturers names and part numbers are used for identification purposes only, and we are in no way implying that our products are original equipment parts. Prices subject to change without notice.



# Replaces Toro Groundsmaster 4010-D Parts

Rotary Mower - Model 30636  
Front Deck Lift Arms



Item No	R&R Part No.	OEM Part No.	Description	Qty Req	Order Quantity
<b>Tires</b>					
1	<b>R150615</b>	136-4424, 137-5924	Tire - Foam Filled 8-3.5 x 4 Sm 4 Ply	2	
1	<b>R93-9939</b>	93-9939, 98-2877	Tire - 8x3.50-4 (4 Ply) Sm Pneu	2	
2	<b>R137-5529</b>	137-5529, 93-5974, 93-9574, 137-5529	Wheel Assy - Foam Filled 8x3.5-4SM	2	
2	<b>R93-9938</b>	86-0020, 93-9938	Wheel Assy - Castor - Pneu 8x3.50-4	2	
3	<b>R68-8950</b>	68-8950	Tube - Castor Wheel 9x3.50-4 TR87	2	
4	<b>R95-2741</b>	137-5552, 95-2741	Rim - Wheel Half w/o Valve Hole	2	
5	<b>R93-4239</b>	93-4239	Rim - Wheel Half w/Valve Hole	2	
6	<b>R93-4242</b>	93-4242	Plate - Caster Wheel	2	
7	<b>R93-5980</b>	93-4238, 93-5980	Hub Assy - w/o Bearings/Spacer	2	
<b>Rollers</b>					
9	<b>R93-4803</b>	93-4803	Roller - Deck	2	
<i>Tech Note: 30410/20412/30448-2010-2011:</i>					
<b>Overhiul Kit</b>					
10	<b>R125-4301</b>	125-4301	Kit - Seal	1	
<b>Other Parts Available</b>					
15	<b>R69-1510</b>	69-1510	Spacer - 1/2 Caster Fork	10	
16	<b>R69-6860</b>	69-6860	Washer - 1/8 - Caster Wheel	4	

All original equipment manufacturers names and part numbers are used for identification purposes only, and we are in no way implying that our products are original equipment parts. Prices subject to change without notice.



# Replaces Toro Groundsmaster 4010-D Parts

Rotary Mower - Model 30636  
Front Deck Lift Arms



Item No	R&R Part No.	OEM Part No.	Description	Qty Req	Order Quantity
17	<b>R69-6470</b>	69-6470	Bushing - Flanged	4	
18	<b>R100-5605-01</b>	100-5605-01	Skid Assy - RH	1	
<i>Tech Note: 30410/20412/30448-2010-2011:</i>					
19	<b>R104-0762-01</b>	104-0762-01	Caster Fork	2	
19	<b>R130-2736-01</b>	130-2736-01	Caster Fork	2	
20	<b>R104-8301</b>	104-8301, 104-9301, 109-6658, 133-7570	Locknut - 3/8-16 Nylon Flanged	10	
21	<b>R3296-53</b>	3296-53	Locknut - 5/8-11 ESNA Yellow	2	
22	<b>R108-9017</b>	108-9017, 120-3366	Bearing-Stainless	4	
24	<b>R93-4241</b>	93-4241	Spacer - Caster Wheel	2	
25	<b>R92-8861</b>	92-5582, 92-8861	Cap - HOC	2	
26	<b>R92-9726</b>	92-9726	Spring - Compression	2	
27	<b>R92-5583</b>	92-5583	Washer- Cap	2	
28	<b>R92-5581</b>	92-5581	Ring - Retaining	2	
29	<b>R92-9727</b>	92-9727	Cap Assy - HOC	2	
30	<b>R32128-16</b>	32128-16	Locknut - 5/16-24 Flanged Top	8	

All original equipment manufacturers names and part numbers are used for identification purposes only, and we are in no way implying that our products are original equipment parts. Prices subject to change without notice.



# Replaces Toro Groundsmaster 4010-D Parts

Rotary Mower - Model 30636  
Front Deck Lift Arms



Item No	R&R Part No.	OEM Part No.	Description	Qty Req	Order Quantity
32	<b>R453011</b>	01-166-0100, 01-166-0120, 01-166-0270, 01-166-0500, 01-166-0600, 01-166-0620, 132-4593, 2356-3, 237-12, 24-10-AD, 24-11-AD, 24-11-BD, 24-12-AD, 24-12-BD, 30-9310, 32-8190, 3256-24, 3256-3, 3256-36, 3256-4, 453011, 47-9950, 48-9220, 513458, 7-0052	Washer - Flat 3/8 SAE Y/Zinc	10	
33	<b>R400274</b>	01-178-0626, 112-7161, 3224-11, 400274	Bolt - Hex HD 3/8-16 x 2-1/2 GR5	6	
34	<b>R327-24</b>	327-24	Bolt - Hex HD 5/8-11 x 6	2	
35	<b>R104-8300</b>	104-8300, 104-8300 , 119-4041	Locknut - 5/16-18 Flanged Y/Zinc	3	
<i>Tech Note: 30410/20412/30448-2010-2011:</i>					
38	<b>R105-4549</b>	105-4549	Spacer - Deck Roller	2	
<i>Tech Note: 30410/20412/30448-2010-2011:</i>					
39	<b>R322-29</b>	322-29	Bolt - Hex HD 5/16-18 x 5 GR5	2	
<i>Tech Note: 30410/20412/30448-2010-2011:</i>					

All original equipment manufacturers names and part numbers are used for identification purposes only, and we are in no way implying that our products are original equipment parts. Prices subject to change without notice.



# Replaces Toro Groundsmaster 4010-D Parts

Rotary Mower - Model 30636  
Front Deck Lift Arms



Item No	R&R Part No.	OEM Part No.	Description	Qty Req	Order Quantity
40	<b>R100-5612-01</b>	100-5612-01	Skid Assy - LH	1	
<i>Tech Note: 30410/20412/30448-2010-2011:</i>					
41	<b>R3231-21</b>	3231-21	Screw - 3/8-16 x 3/4 Carriage	2	
<i>Tech Note: 30410/20412/30448-2010-2011:</i>					
42	<b>R3234-42</b>	3234-42	Bolt - 3/8-16 x 1 Hx HD Fl	3	
<i>Tech Note: 30410/20412/30448-2010-2011:</i>					
43	<b>R3296-39</b>	32127-25, 32128-36, 3290-357, 3296-17, 3296-22, 3296-39, 915663P, 99-7443	Locknut - 3/8-16 Nylon	2	
44	<b>R3296-25</b>	30-3380, 32127-21, 32127-31, 3290-160, 3290-33, 3296-13, 3296-25, 3296-45, 329645	Locknut - 1/2-13 Heavy ESNA	4	
45	<b>R3256-26</b>	01-166-0540, 01-166-0820, 17-2530, 24-13-BD, 30-8570, 3256-26, 356206, 48-9390	Washer - 1/2 in	8	
46	<b>R100-3031</b>	100-3031	Lift Arm Assy - RH	1	
<i>Tech Note: 30410/20412/30448 only:</i>					
46	<b>R120-8878</b>	120-8878	Lift Arm Assy - RH Center Deck	1	

All original equipment manufacturers names and part numbers are used for identification purposes only, and we are in no way implying that our products are original equipment parts. Prices subject to change without notice.



# Replaces Toro Groundsmaster 4010-D Parts

Rotary Mower - Model 30636  
Front Deck Lift Arms



Item No	R&R Part No.	OEM Part No.	Description	Qty Req	Order Quantity
<i>Tech Note: 30603/30605/30607/30609/30635/30605:</i>					
47	<b>R100-3032</b>	100-3032	Lift Arm Assy - LH	1	
<i>Tech Note: 30410/20412/30448 only:</i>					
47	<b>R120-8879</b>	120-8879	Lift Arm Assy - LH Center Deck	1	
<i>Tech Note: 30603/30605/30607/30609/30635/30605:</i>					
48	<b>R21-3001</b>	21-3001-03	Nut- Jam 1-16 LH	2	
<i>Tech Note: 30410/30412:</i>					
49	<b>R86-8101-01</b>	21-0161, 86-8101, 86-8101-01, 86-8101-03	Ball Joint	2	
50	<b>R302-40</b>	302-13, 302-40	Fitting - Grease	2	
51	<b>R93-4583-01</b>	93-4583, 93-4583-01	Mount - Ball Joint	2	
52	<b>R32136-2</b>	22-18-BJLD, 32136-2, 3221-5	Nut - Slotted Hex HD	2	
53	<b>R3272-12</b>	01-151-0090, 28-19-D, 3272-12	Pin - Cotter 1/8 x 1-1/4	2	
54	<b>R3296-48</b>	119-4039, 32146-7, 3296-34, 3296-48	Locknut - 7/16-14 ESNA	4	
55	<b>R87-7480</b>	87-7480	Washer	8	
56	<b>R3290-467</b>	3290-467	Pin-Hair	2	
57	<b>R283-55</b>	283-55	Clevis Pin - 1/2 x 3	2	

All original equipment manufacturers names and part numbers are used for identification purposes only, and we are in no way implying that our products are original equipment parts. Prices subject to change without notice.



# Replaces Toro Groundsmaster 4010-D Parts

Rotary Mower - Model 30636  
Front Deck Lift Arms



Item No	R&R Part No.	OEM Part No.	Description	Qty Req	Order Quantity
58	<b>R324-19</b>	01-150-1000, 01-178-0728, 324-19	Bolt - Hex HD 7/16-14 x 3 1/2 GR8	4	
59	<b>R95-6231</b>	95-6231	Chain - HOC	2	
60	<b>R104-0108</b>	104-0108	U-Bolt	2	
61	<b>R443118</b>	01-188-0813, 22-15-AJD, 3217-9	Nut - 1/2-13 Zinc	4	
62	<b>R100-3020</b>	100-3020	Pin Assy	2	
63	<b>R107-4304</b>	100-3016, 107-4304	Cylinder - Center Lift	2	
<i>Tech Note: 30410/20412/30448 only:</i>					
63	<b>R120-8802</b>	120-8802	Hydraulic Cylinder	2	
<i>Tech Note: 30405/30409/30407/30635/30605:</i>					
64	<b>R237-22</b>	107-8844, 237-22, 237-78	O-Ring	6	
65	<b>R302-5</b>	21-6010, 302-11, 302-37, 302-47, 302-5, 302-57, 302-58, 302-6, 31-0300, 32-9660, 60-0800, 62-3880, 92-4181	Fitting - Grease	4	
66	<b>R340-77</b>	340-100, 340-77, 95-7889	Hydraulic Fitting	1	

All original equipment manufacturers names and part numbers are used for identification purposes only, and we are in no way implying that our products are original equipment parts. Prices subject to change without notice.



# Replaces Toro Groundsmaster 4010-D Parts

Rotary Mower - Model 30636  
Front Deck Lift Arms



Item No	R&R Part No.	OEM Part No.	Description	Qty Req	Order Quantity
<i>Tech Note: 30410/20412/30448 only:</i>					
67	<b>R237-42</b>	237-42, 31-4160	O-Ring	5	
68	<b>R400264</b>	01-150-0180, 01-178-0610, 20-48-AD, 20-48-AGD, 32-9160, 3224-3, 323-29, 323-7, 400264, 908035P	Bolt - Hex HD 3/8-16 x 1-1/4	2	
69	<b>R340-156</b>	340-156	Hydraulic Fitting	1	
70	<b>R237-65</b>	237-65, 237.65	O-Ring	2	
71	<b>R237-81</b>	237-81, 237.81, 327-81	O-Ring	3	
72	<b>R340-8</b>	340-8	Adapter	1	
73	<b>R340-94</b>	340-94	Adapter	1	
74	<b>R127-3720</b>	127-3720	Castor Arm Assy - RH	1	
<i>Tech Note: 315000001-316000500:</i>					
74	<b>R132-6176</b>	132-6176	Caster Arm Assy - RH	1	
<i>Tech Note: 405226001-408899999:</i>					
75	<b>R127-3730</b>	127-3730	Castor Arm Assy - LH - Incl Bushings	1	
<i>Tech Note: 315000001-316000500:</i>					
75	<b>R132-6169</b>	132-6169	Caster Arm Assy - LH	1	
<i>Tech Note: 405226001-408899999:</i>					

All original equipment manufacturers names and part numbers are used for identification purposes only, and we are in no way implying that our products are original equipment parts. Prices subject to change without notice.





# Replaces Toro Groundsmaster 4010-D Parts

Rotary Mower - Model 30636  
Front Deck Lift Arms



Item No	R&R Part No.	OEM Part No.	Description	Qty Req	Order Quantity
76	<b>R104-0015</b>	104-0015, 104-8339	Bushing - Flanged	4	
77	<b>R400408</b>	01-150-0090, 01-178-0812, 20-87-AD, 20-87-AGD, 20-87-AGF, 3226-2, 325-6, 513376, 513378	Bolt - Hex HD 1/2-13 x 1-1/2	2	
<i>Tech Note: 30410/20412/30448:</i>					
78	<b>R340-9</b>	340-9	Fitting - Straight Connector	1	
79	<b>R104-0746-03</b>	104-0746-03	Bracket - Manifold	1	
<i>Tech Note: 30410/20412/30448:</i>					
80	<b>R3296-49</b>	3296-49	Locknut - 1 in 14	2	
81	<b>R237-58</b>	237-58	O-Ring	1	
82	<b>R700414</b>	302-11, 302-19, 302-4, 32-8170	Zerk - Grease 1/4-28 45 Deg	2	
83	<b>R100-3017</b>	100-3017	Pin - Lift Arm	2	
84	<b>R32121-110</b>	32121-110	Roll Pin - Slotted	2	
85	<b>R460050</b>	01-151-0060, 3272-23, 460050	Pin - Cotter 3/16 x 1-1/4	4	
<i>Tech Note: 30410/20412/30448:</i>					
86	<b>R105-7456</b>	100-5559, 105-7456	Pin - Pivot	2	
<i>Tech Note: 30410/20412/30448:</i>					

All original equipment manufacturers names and part numbers are used for identification purposes only, and we are in no way implying that our products are original equipment parts. Prices subject to change without notice.



# Replaces Toro Groundsmaster 4010-D Parts

Rotary Mower - Model 30636  
Front Deck Lift Arms



Item No	R&R Part No.	OEM Part No.	Description	Qty Req	Order Quantity
87	<b>R32128-23</b>	32128-23, 3218-23, 99-5107	Nut - Lock Hex Flanged 1/2-13	2	
<i>Tech Note: 30410/20412/30448:</i>					
88	<b>R340-2</b>	340-2, 60-1920	Hydraulic Fitting - Striaight	3	
<i>Tech Note: 30410/20412/30448:</i>					
89	<b>R323016</b>	302-33, 323016	Zerk - Grease	2	
<i>Tech Note: 30410/20412/30448:</i>					
90	<b>R100-5663-03</b>	100-5663-03	Cover - LH Front	1	
91	<b>R100-5660-03</b>	100-5660-03	Cover - Center Front	1	
92	<b>R74-5950</b>	249-48, 74-5950	Latch - Swell	10	

All original equipment manufacturers names and part numbers are used for identification purposes only, and we are in no way implying that our products are original equipment parts. Prices subject to change without notice.