

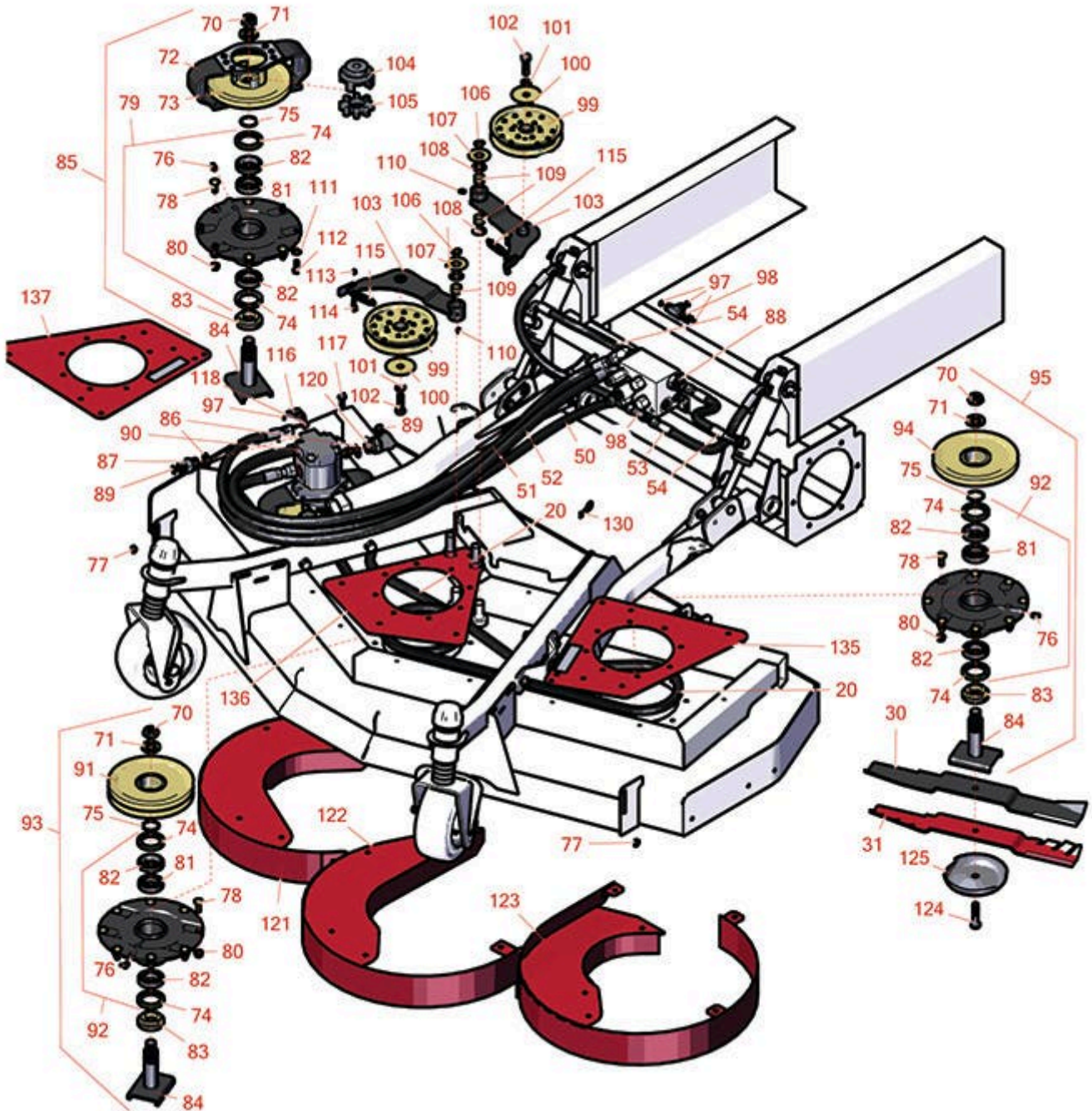


# Replaces Toro Groundsmaster 4010-D

## Parts

Rotary Mower - Model 30636

Front Deck Hydraulics and Spindles



All original equipment manufacturers names and part numbers are used for identification purposes only, and we are in no way implying that our products are original equipment parts. Prices subject to change without notice.



# Replaces Toro Groundsmaster 4010-D Parts

Rotary Mower - Model 30636  
Front Deck Hydraulics and Spindles



Item No	R&R Part No.	OEM Part No.	Description	Qty Req	Order Quantity
<b>Belts</b>					
20	<b>R55-7660</b>	108-8076	Belt - V Rotary Deck	2	
<b>Rotary Blades Available</b>					
30	<b>R92-5608</b>	92-5608, 92-5608-03	Mower Blade - 21.75 in	3	
31	<b>R92-5608M</b>	104-1303, 107-0214-03	Mower Blade - Mulcher 21.75	3	
<b>Hoses</b>					
50	<b>R112-9126</b>	112-9126	Hydraulic Hose Assy - w/Protective Sleeve	1	
<i>Tech Note: 30410/30412/30448:</i>					
50	<b>R120-8989</b>	120-8989	Hydraulic Hose Assy	1	
<i>Tech Note: 30605/30609:</i>					
51	<b>R104-2260</b>	104-2260	Hydraulic Hose Assy	1	
<i>Tech Note: 30603/30607/30635/30605:</i>					
51	<b>R120-8988</b>	120-8988	Hydraulic Hose Assy	1	
<i>Tech Note: 30605/30609:</i>					
52	<b>R104-2261</b>	104-2261	Hydraulic Hose Assy	1	
<i>Tech Note: 30603/30607/30635/30605:</i>					
52	<b>R120-8987</b>	120-8987	Hydraulic Hose Assy	1	
<i>Tech Note: 30605/30609:</i>					
53	<b>R92-7595</b>	92-7595	Hydraulic Hose Assy	2	
<i>Tech Note: 30410/30412/30448:</i>					
54	<b>R104-2234</b>	104-2234	Hydraulic Hose Assy	2	

All original equipment manufacturers names and part numbers are used for identification purposes only, and we are in no way implying that our products are original equipment parts. Prices subject to change without notice.



# Replaces Toro Groundsmaster 4010-D Parts

Rotary Mower - Model 30636  
Front Deck Hydraulics and Spindles



Item No	R&R Part No.	OEM Part No.	Description	Qty Req	Order Quantity
---------	--------------	--------------	-------------	---------	----------------

## Other Parts Available

70	<b>R32127-46</b>	32127-46, 3296-60	Locknut	3	
71	<b>R104-8322</b>	104-8322, 120-5576	Washer - Spindle Shaft Hardened	3	
72	<b>R104-3544</b>	104-3544	Mount - Motor Drive	1	
73	<b>R104-3545</b>	104-3545	Pulley - Drive	1	
74	<b>R253-154</b>	253-154	Seal - Spindle	6	
75	<b>R106-7159</b>	106-7159	O-Ring	3	
76	<b>R302-60</b>	302-60	Zerk - Grease 90 Deg.	3	
77	<b>R104-8300</b>	104-8300, 104-8300, 119-4041	Locknut - 5/16-18 Flanged Y/Zinc	2	
78	<b>R114-8195</b>	114-8195, R & R ONLY	Bolt- Ribbed Neck	20	
79	<b>R119-4546</b>	104-3552, 119-3552, 119-4546	Spindle Housing Assy	1	
80	<b>R104-8301</b>	104-8301, 104-9301, 109-6658, 133-7570	Locknut - 3/8-16 Nylon Flanged	20	
81	<b>R104-3549</b>	104-3549	Spacer Set - Spindle Bearing	6	
82	<b>R110-8297</b>	110-8297, 26-1830	Bearing Set w/Retaining Rings - Spindle	3	
82	<b>R120-5577</b>	120-5577	Bearing Spacer Set - Ground	3	
83	<b>R92-9800</b>	69-6950, 69-6980, 92-9800	Spacer - Spindle	3	

All original equipment manufacturers names and part numbers are used for identification purposes only, and we are in no way implying that our products are original equipment parts. Prices subject to change without notice.



# Replaces Toro Groundsmaster 4010-D Parts

Rotary Mower - Model 30636  
Front Deck Hydraulics and Spindles



Item No	R&R Part No.	OEM Part No.	Description	Qty Req	Order Quantity
<b>Ser# 316000001-403378763</b>					
84	<b>R104-3554</b>	104-3554	Shaft - Spindle Assy.	3	
<b>Ser# 405700000-999999999</b>					
84	<b>R139-1044</b>	139-1044	Shaft - Spindle Assy	3	
85	<b>R119-4547</b>	104-3529, 119-4547, 139-1035	Driving Spindle Assy	1	
85	<b>R139-1035</b>	139-1035	Drivin Spindle Assy	1	
86	<b>R237-81</b>	237-81, 237.81, 327-81	O-Ring	2	
<i>Tech Note: 30410/30412/30448:</i>					
87	<b>R340-8</b>	340-8	Adapter	1	
<i>Tech Note: 30410/30412/30448:</i>					
88	<b>R340-9</b>	340-9	Fitting - Straight Connector	2	
<i>Tech Note: 30605/30609:</i>					
89	<b>R237-65</b>	237-65, 237.65	O-Ring	2	
<i>Tech Note: 30410/30412/30448:</i>					
90	<b>R127-3694</b>	127-3694	Hydraulic Motor	3	
<i>Tech Note: 314000001-314999999 and Newer:</i>					
90	<b>R99-5489</b>	99-5489	Hydraulic Motor	3	
<i>Tech Note: 313000001-313999999:</i>					
91	<b>R104-3547</b>	104-3547	Pulley - Double Driven	1	
92	<b>R119-4775</b>	119-4775	Spindle Housing Assy	2	

All original equipment manufacturers names and part numbers are used for identification purposes only, and we are in no way implying that our products are original equipment parts. Prices subject to change without notice.



# Replaces Toro Groundsmaster 4010-D Parts

Rotary Mower - Model 30636  
Front Deck Hydraulics and Spindles



Item No	R&R Part No.	OEM Part No.	Description	Qty Req	Order Quantity
93	<b>R119-4548</b>	104-3530, 119-4548, 139-1037	Double Driven Spindle Assy	1	
94	<b>R104-3548</b>	104-3548	Pulley - Higher Driven	1	
95	<b>R119-4549</b>	104-3531, 119-4549, 139-1038	High Driven Spindle Assy	1	
97	<b>R237-22</b>	107-8844, 237-22, 237-78	O-Ring	7	
<i>Tech Note: 30410/30412/30448:</i>					
98	<b>R340-68</b>	340-120, 340-68	Fitting - Tee - Bulkhead	2	
<i>Tech Note: 30410/30412/30448:</i>					
99	<b>R110-9596</b>	110-9596, 132-9421	Pulley- Flat Idler	2	
100	<b>R100-3102</b>	100-3102	Washer-Flat	2	
101	<b>R3253-7</b>	01-166-0030, 01-166-0080, 01-166-0290, 01-166-0810, 23-13-GD, 3253-7, 48-9380	Washer - Lock 1/2	2	
102	<b>R325-7</b>	01-150-0380, 01-178-0814, 3226-3, 325-7, 48-9490	Bolt - 1/2-13 x 1 3/4 Hex HD Gr 5	2	
103	<b>R110-6128</b>	110-6128	Idler Arm Assy	2	
104	<b>R104-3541</b>	104-3541	Hub - Drive	1	
105	<b>R104-3542</b>	104-3542	Spider	1	

All original equipment manufacturers names and part numbers are used for identification purposes only, and we are in no way implying that our products are original equipment parts. Prices subject to change without notice.



# Replaces Toro Groundsmaster 4010-D Parts

*Rotary Mower - Model 30636  
Front Deck Hydraulics and Spindles*



Item No	R&R Part No.	OEM Part No.	Description	Qty Req	Order Quantity
106	<b>R458013</b>	30-0580, 32120-72, 458013, 93-2525, 936125	Ring - Retaining	2	
107	<b>R70-1160</b>	70-1160	Washer	2	
108	<b>R3-6498</b>	3--6498, 3-6498, 47-8270	Washer - Thrust	4	
109	<b>R256-76</b>	256-76	Bushing	4	
110	<b>R302-5</b>	21-6010, 302-11, 302-37, 302-47, 302-5, 302-57, 302-58, 302-6, 31-0300, 32-9660, 60-0800, 62-3880, 92-4181	Fitting - Grease	2	

All original equipment manufacturers names and part numbers are used for identification purposes only, and we are in no way implying that our products are original equipment parts. Prices subject to change without notice.



# Replaces Toro Groundsmaster 4010-D Parts



Rotary Mower - Model 30636  
Front Deck Hydraulics and Spindles

Item No	R&R Part No.	OEM Part No.	Description	Qty Req	Order Quantity
111	<b>R453011</b>	01-166-0100, 01-166-0120, 01-166-0270, 01-166-0500, 01-166-0600, 01-166-0620, 132-4593, 2356-3, 237-12, 24-10-AD, 24-11-AD, 24-11-BD, 24-12-AD, 24-12-BD, 30-9310, 32-8190, 3256-24, 3256-3, 3256-36, 3256-4, 453011, 47-9950, 48-9220, 513458, 7-0052	Washer - Flat 3/8 SAE Y/Zinc	4	
112	<b>R323-6</b>	01-150-0010, 01-178-0608, 20-47-AD, 20-47-AGD, 3224-2, 323-6, 49-3510, 908034P, 908332	Bolt - Hex HD 3/8-16 x 1 GR5 YZ	4	
113	<b>R3296-56</b>	3296-56	Nut - Lock - 1/4-20 ESNA Jam	2	
114	<b>R104-0858</b>	104-0858	Bolt - Shoulder	2	
115	<b>R107938</b>	107938	Spring - Extension	2	
116	<b>R340-77</b>	340-100, 340-77, 95-7889	Hydraulic Fitting	1	

All original equipment manufacturers names and part numbers are used for identification purposes only, and we are in no way implying that our products are original equipment parts. Prices subject to change without notice.



# Replaces Toro Groundsmaster 4010-D Parts

Rotary Mower - Model 30636  
Front Deck Hydraulics and Spindles



Item No	R&R Part No.	OEM Part No.	Description	Qty Req	Order Quantity
117	<b>R3234-42</b>	3234-42	Bolt - 3/8-16 x 1 Hx HD Fl	2	
118	<b>R237-42</b>	237-42, 31-4160	O-Ring	1	
120	<b>R340-139</b>	340-139	Hydraulic Fitting - 90 Deg	1	
<i>Tech Note: 30410/30412/30448:</i>					
121	<b>R104-2201-01</b>	104-2201-01	Chamber Assy - RH	1	
<i>Tech Note: 315000001-315000500:</i>					
121	<b>R130-2674-01</b>	130-2674-01	Chamber Assy - RH	1	
<i>Tech Note: 316000500-405699999:</i>					
122	<b>R104-2200-01</b>	104-2200-01	Chamber Assy - Center	1	
123	<b>R104-2202-01</b>	104-2202-01	Chamber Assy - LH	1	
<i>Tech Note: 315000001-315000500:</i>					
123	<b>R130-2675-01</b>	130-2675-01	Chamber Assy LH	1	
<i>Tech Note: 316000500-405699999:</i>					
124	<b>R92-5816</b>	92-5816	Bolt - Hex HD 1/2-20 x 2-1/4	3	
125	<b>R72-9361</b>	27-1000, 27-1001, 72-9360, 72-9361	Cup - Anti-Scalp	3	
130	<b>R3290-467</b>	3290-467	Pin-Hair	1	
135	<b>R131-1239</b>	131-1239	Plate-Spindle, Front-Left	1	
136	<b>R131-1237</b>	131-1237	Plate - Spindle - Front- Center	1	
137	<b>R131-1238</b>	131-1238	Plate-Spindle, Front-Right	1	

All original equipment manufacturers names and part numbers are used for identification purposes only, and we are in no way implying that our products are original equipment parts. Prices subject to change without notice.