

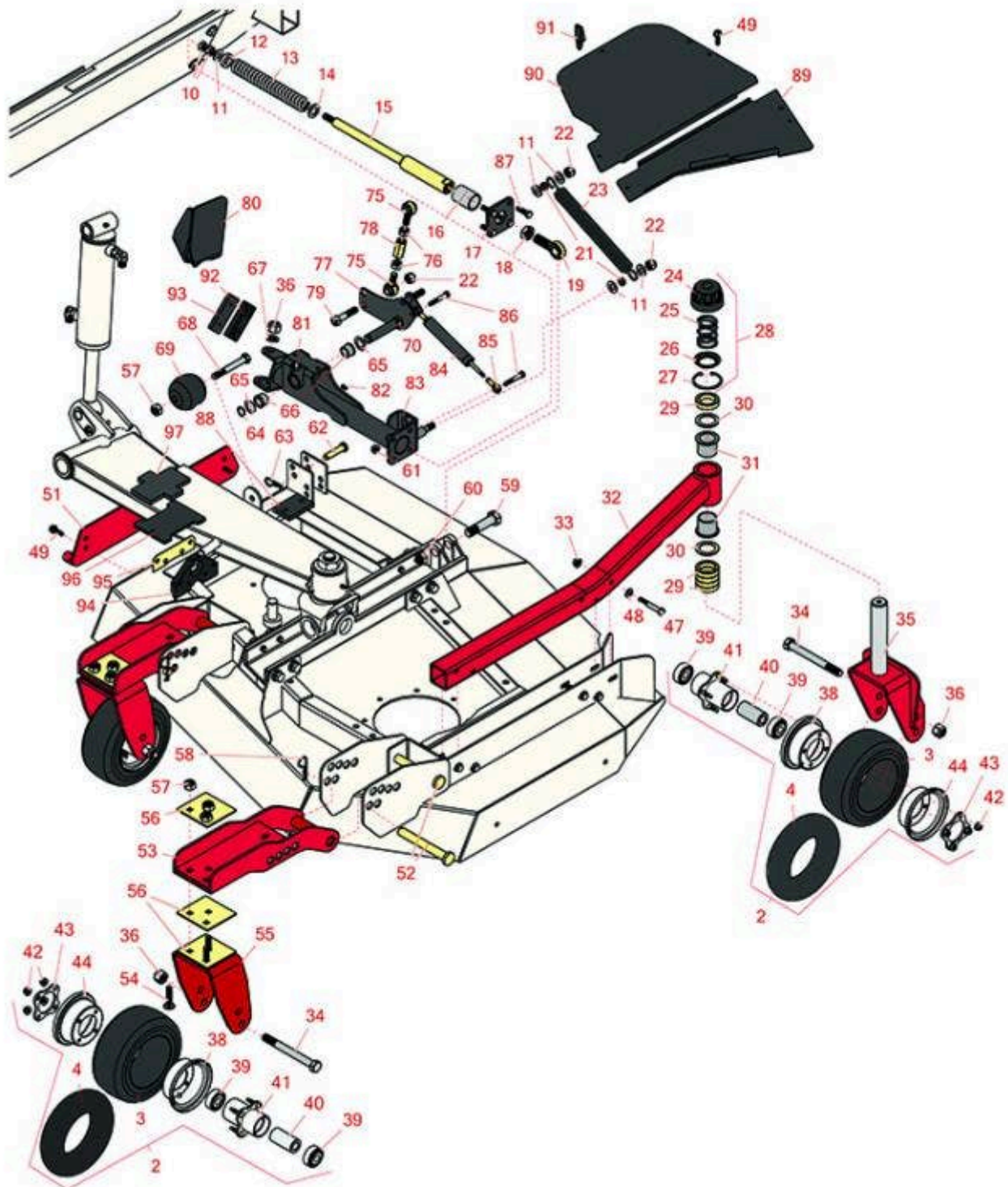


# Replaces Toro Groundsmaster 4010-D

## Parts

Rotary Mower - Model 30636

Left-Hand Deck Arms and Wheels



All original equipment manufacturers names and part numbers are used for identification purposes only, and we are in no way implying that our products are original equipment parts. Prices subject to change without notice.



# Replaces Toro Groundsmaster 4010-D Parts

Rotary Mower - Model 30636  
Left-Hand Deck Arms and Wheels



Item No	R&R Part No.	OEM Part No.	Description	Qty Req	Order Quantity
<b>Tires</b>					
2	<b>R137-5529</b>	137-5529, 93-5974, 93-9574, 137-5529	Wheel Assy - Foam Filled 8x3.5-4SM	3	
2	<b>R93-9938</b>	86-0020, 93-9938	Wheel Assy - Castor - Pneu 8x3.50-4	3	
3	<b>R150615</b>	136-4424, 137-5924	Tire - Foam Filled 8-3.5 x 4 Sm 4 Ply	3	
3	<b>R93-9939</b>	93-9939, 98-2877	Tire - 8x3.50-4 (4 Ply) Sm Pneu	3	
4	<b>R68-8950</b>	68-8950	Tube - Castor Wheel 9x3.50-4 TR87	3	
<b>Other Parts Available</b>					
10	<b>R443118</b>	01-188-0813, 22-15-AJD, 3217-9	Nut - 1/2-13 Zinc	2	
11	<b>R3256-26</b>	01-166-0540, 01-166-0820, 17-2530, 24-13-BD, 30-8570, 3256-26, 356206, 48-9390	Washer - 1/2 in	13	
12	<b>R105-4552</b>	105-4552	Bearing - Plastic	1	
13	<b>R100-8138</b>	100-8138	Spring-Compression	1	
14	<b>R105-4551</b>	105-4551	Washer- Flat	1	
15	<b>R105-4548</b>	105-4548	Shaft - Spring	1	
16	<b>R105-4550</b>	105-4550	Bushing - Straight	1	
17	<b>R105-2807-03</b>	105-2807-03	Plate	1	

All original equipment manufacturers names and part numbers are used for identification purposes only, and we are in no way implying that our products are original equipment parts. Prices subject to change without notice.



# Replaces Toro Groundsmaster 4010-D Parts

Rotary Mower - Model 30636  
Left-Hand Deck Arms and Wheels



Item No	R&R Part No.	OEM Part No.	Description	Qty Req	Order Quantity
18	<b>R3220-7</b>	01-191-1216, 3220-7, Mar-03	Nut - 3/4-16 Jam Zinc	1	
19	<b>R105-2806</b>	105-2806	Rod End	1	
21	<b>R104-7521</b>	104-7521	Bushing	2	
22	<b>RF5003</b>	32127-29, 32131-5, 32132-5, 3296-23	Locknut - ESNA 1/2-13	3	
23	<b>R104-7520</b>	104-7520	Spring - Damper	1	
24	<b>R92-8861</b>	92-5582, 92-8861	Cap - HOC	1	
25	<b>R92-9726</b>	92-9726	Spring - Compression	1	
26	<b>R92-5583</b>	92-5583	Washer- Cap	1	
27	<b>R92-5581</b>	92-5581	Ring - Retaining	1	
28	<b>R92-9727</b>	92-9727	Cap Assy - HOC	1	
29	<b>R69-1510</b>	69-1510	Spacer - 1/2 Caster Fork	5	
30	<b>R69-6860</b>	69-6860	Washer - 1/8 - Caster Wheel	2	
31	<b>R69-6470</b>	69-6470	Bushing - Flanged	2	
32	<b>R127-3730</b>	127-3730	Castor Arm Assy - LH - Incl Bushings	1	
<i>Tech Note: Ser# 315000001-316000500:</i>					
32	<b>R132-6167</b>	132-6167	Side Castor Arm Assy - Incl Bushings	2	
<i>Tech Note: Ser# 405226001-999999999:</i>					
33	<b>R104-8301</b>	104-8301, 104-9301, 109-6658, 133-7570	Locknut - 3/8-16 Nylon Flanged	9	

All original equipment manufacturers names and part numbers are used for identification purposes only, and we are in no way implying that our products are original equipment parts. Prices subject to change without notice.



# Replaces Toro Groundsmaster 4010-D Parts

Rotary Mower - Model 30636  
Left-Hand Deck Arms and Wheels



Item No	R&R Part No.	OEM Part No.	Description	Qty Req	Order Quantity
34	<b>R327-24</b>	327-24	Bolt - Hex HD 5/8-11 x 6	3	
35	<b>R104-0762-01</b>	104-0762-01	Caster Fork	1	
<i>Tech Note: Ser# 315000001-316000500:</i>					
35	<b>R130-2736-01</b>	130-2736-01	Caster Fork	1	
<i>Tech Note: Ser# 405226001-499999999:</i>					
36	<b>R3296-53</b>	3296-53	Locknut - 5/8-11 ESNA Yellow	4	
38	<b>R93-4239</b>	93-4239	Rim - Wheel Half w/Valve Hole	3	
39	<b>R93-4237</b>	93-4237	Bearing	6	
39	<b>R108-9017</b>	108-9017, 120-3366	Bearing-Stainless	6	
40	<b>R93-4241</b>	93-4241	Spacer - Caster Wheel	3	
41	<b>R93-5980</b>	93-4238, 93-5980	Hub Assy - w/o Bearings/Spacer	3	
42	<b>R32128-16</b>	32128-16	Locknut - 5/16-24 Flanged Top	12	
43	<b>R93-4242</b>	93-4242	Plate - Caster Wheel	3	
44	<b>R95-2741</b>	137-5552, 95-2741	Rim - Wheel Half w/o Valve Hole	3	
47	<b>R400274</b>	01-178-0626, 112-7161, 3224-11, 400274	Bolt - Hex HD 3/8-16 x 2-1/2 GR5	5	

All original equipment manufacturers names and part numbers are used for identification purposes only, and we are in no way implying that our products are original equipment parts. Prices subject to change without notice.



# Replaces Toro Groundsmaster 4010-D Parts

Rotary Mower - Model 30636  
Left-Hand Deck Arms and Wheels



Item No	R&R Part No.	OEM Part No.	Description	Qty Req	Order Quantity
48	<b>R453011</b>	01-166-0100, 01-166-0120, 01-166-0270, 01-166-0500, 01-166-0600, 01-166-0620, 132-4593, 2356-3, 237-12, 24-10-AD, 24-11-AD, 24-11-BD, 24-12-AD, 24-12-BD, 30-9310, 32-8190, 3256-24, 3256-3, 3256-36, 3256-4, 453011, 47-9950, 48-9220, 513458, 7-0052	Washer - Flat 3/8 SAE Y/Zinc	5	
49	<b>R3234-42</b>	3234-42	Bolt - 3/8-16 x 1 Hx HD Fl	4	
<i>Tech Note: 30410/30412/30448_2010-2011:</i>					
51	<b>R104-2250-01</b>	104-2250-01	Skid Assy	1	
<i>Tech Note: 30410/30412/30448_2010-2011:</i>					
52	<b>R100-5569</b>	100-5569	Pin - Clevis 3/4 x 6 3/4	4	
53	<b>R104-7529-01</b>	104-7529-01	Castor Bracket Assy	2	
<i>Tech Note: Ser# 315001501-316000500:</i>					
53	<b>R132-6150-01</b>	132-6150-01	Bracket - Caster	2	
<i>Tech Note: Ser# 405226001-4999999999:</i>					
54	<b>R3233-4</b>	01-173-0816, 3233-4	Bolt - 1/2-13 x 2 Carr Gr 5	6	

All original equipment manufacturers names and part numbers are used for identification purposes only, and we are in no way implying that our products are original equipment parts. Prices subject to change without notice.



# Replaces Toro Groundsmaster 4010-D Parts

*Rotary Mower - Model 30636  
Left-Hand Deck Arms and Wheels*



Item No	R&R Part No.	OEM Part No.	Description	Qty Req	Order Quantity
55	<b>R132-6157-01</b>	132-6157-01	Bracket - Fork	2	
56	<b>R104-7524</b>	104-7524	Shim	8	
57	<b>R3296-25</b>	30-3380, 32127-21, 32127-31, 3290-160, 3290-33, 3296-13, 3296-25, 3296-45, 329645	Locknut - 1/2-13 Heavy ESNA	7	
58	<b>R460312</b>	30-8530, 3290-343	Pin - Hair Cotter	4	
59	<b>R328-5</b>	01-150-0690, 01-178-1228, 328-5	Bolt - Hx HD 3/4-10 x 3 1/2	1	
60	<b>R3296-51</b>	3296-51, 3296-81	Nut - Nylon Lock 3/4-10 Gr 8	1	
61	<b>R3296-39</b>	32127-25, 32128-36, 3290-357, 3296-17, 3296-22, 3296-39, 915663P, 99-7443	Locknut - 3/8-16 Nylon	4	
62	<b>R92-2739</b>	92-2739	Pin - Clevis	1	
63	<b>R3290-467</b>	3290-467	Pin-Hair	1	
64	<b>R32120-93</b>	32120-93	Snap Ring - HD	1	
65	<b>R3-6498</b>	3--6498, 3-6498, 47-8270	Washer - Thrust	2	
66	<b>R256-113</b>	256-113	Bushing - 3/4 ID x 1 1/8 Flange	1	

All original equipment manufacturers names and part numbers are used for identification purposes only, and we are in no way implying that our products are original equipment parts. Prices subject to change without notice.



# Replaces Toro Groundsmaster 4010-D Parts



Rotary Mower - Model 30636  
Left-Hand Deck Arms and Wheels

Item No	R&R Part No.	OEM Part No.	Description	Qty Req	Order Quantity
67	<b>RF104</b>	01-166-0020, 01-166-1010, 23-15-GD, 30-8480, 3253-8, 48-9400	Washer - Lock 5/8	1	
68	<b>R325-17</b>	01-150-0640, 01-150-0850, 01-178-0832, 01-178-0836, 20-97-AGD, 325-17, 325-18, 48-9260	Bolt - Hex Head	1	
69	<b>R29-4820</b>	29-4820	Roller	1	
70	<b>R3296-29</b>	1-804256, 3290-357, 3296-29, 915662P	Locknut - 5/16-18 ESNA	3	
75	<b>R105-2808</b>	105-2808	Rod End	2	
76	<b>RMM607</b>	01-158-0610, 01-191-0820, 21-3900, 3220-5, 45-0170, 5/1/3220	Nut - Jam 1/2-20 Zinc	2	
77	<b>R108-1476-03</b>	100-5690-03, 108-1476-03, 114-2717	LH Bell Crank Assy	1	
78	<b>R105-2809</b>	105-2809	Tube - Link	1	
79	<b>R325-8</b>	01-150-0590, 01-178-0816, 20-89-AGD, 3226-4, 325-8	Bolt	1	
80	<b>R120-8856-03</b>	120-8856-03	Bracket- Roller - LH	1	

All original equipment manufacturers names and part numbers are used for identification purposes only, and we are in no way implying that our products are original equipment parts. Prices subject to change without notice.



# Replaces Toro Groundsmaster 4010-D Parts

Rotary Mower - Model 30636  
Left-Hand Deck Arms and Wheels



Item No	R&R Part No.	OEM Part No.	Description	Qty Req	Order Quantity
81	R301504	2296-42, 301504, 32127-24, 32128-33, 32146-17, 3296-16, 3296-42, 3296-42 , 915661P	Locknut - ESNA 1/4-20	2	
82	R302-5	21-6010, 302-11, 302-37, 302-47, 302-5, 302-57, 302-58, 302-6, 31-0300, 32-9660, 60-0800, 62-3880, 92-4181	Fitting - Grease	2	
83	R120-8884	120-8884	Arm Assy - LH Rear	1	
84	R105-3249	104-7512, 105-3249	Damper	1	
85	R104-8331	104-8331	Rod End - Spherical	2	
86	R322-10	20-30-AD, 24-7180, 322-10, 322-10 , 3223-6, 513347	Bolt - Hex HD 5/16-18 x 2	2	

All original equipment manufacturers names and part numbers are used for identification purposes only, and we are in no way implying that our products are original equipment parts. Prices subject to change without notice.





# Replaces Toro Groundsmaster 4010-D Parts

Rotary Mower - Model 30636  
Left-Hand Deck Arms and Wheels



Item No	R&R Part No.	OEM Part No.	Description	Qty Req	Order Quantity
87	<b>R400264</b>	01-150-0180, 01-178-0610, 20-48-AD, 20-48-AGD, 32-9160, 3224-3, 323-29, 323-7, 400264, 908035P	Bolt - Hex HD 3/8-16 x 1-1/4	4	
88	<b>R69-9290</b>	69-9290	Pad - Bumper	1	
89	<b>R100-5664-03</b>	100-5664-03	Plate-Cover, LH	1	
90	<b>R100-5667-03</b>	100-5667-03	Plate-Cover, LH Side	1	
91	<b>R74-5950</b>	249-48, 74-5950	Latch - Swell	7	
92	<b>R86-5350</b>	86-5350	Bumper - Rubber	2	
93	<b>R119-8308-03</b>	119-8308, 119-8308-03	Plate	2	
94	<b>R104-8305-03</b>	104-8305-03	Mount-Base	2	
95	<b>R104-0731</b>	104-0731	Shim	2	
96	<b>R108-1528-03</b>	108-1528-03	Plate	1	
97	<b>R104-8348</b>	104-8348	Plate-Rubber	1	
<i>Tech Note: Ser# 316000500-405699999:</i>					
97	<b>R104-8347-03</b>	104-8347-03	Plate	1	
<i>Tech Note: Ser# 315001001-316000500:</i>					

All original equipment manufacturers names and part numbers are used for identification purposes only, and we are in no way implying that our products are original equipment parts. Prices subject to change without notice.