

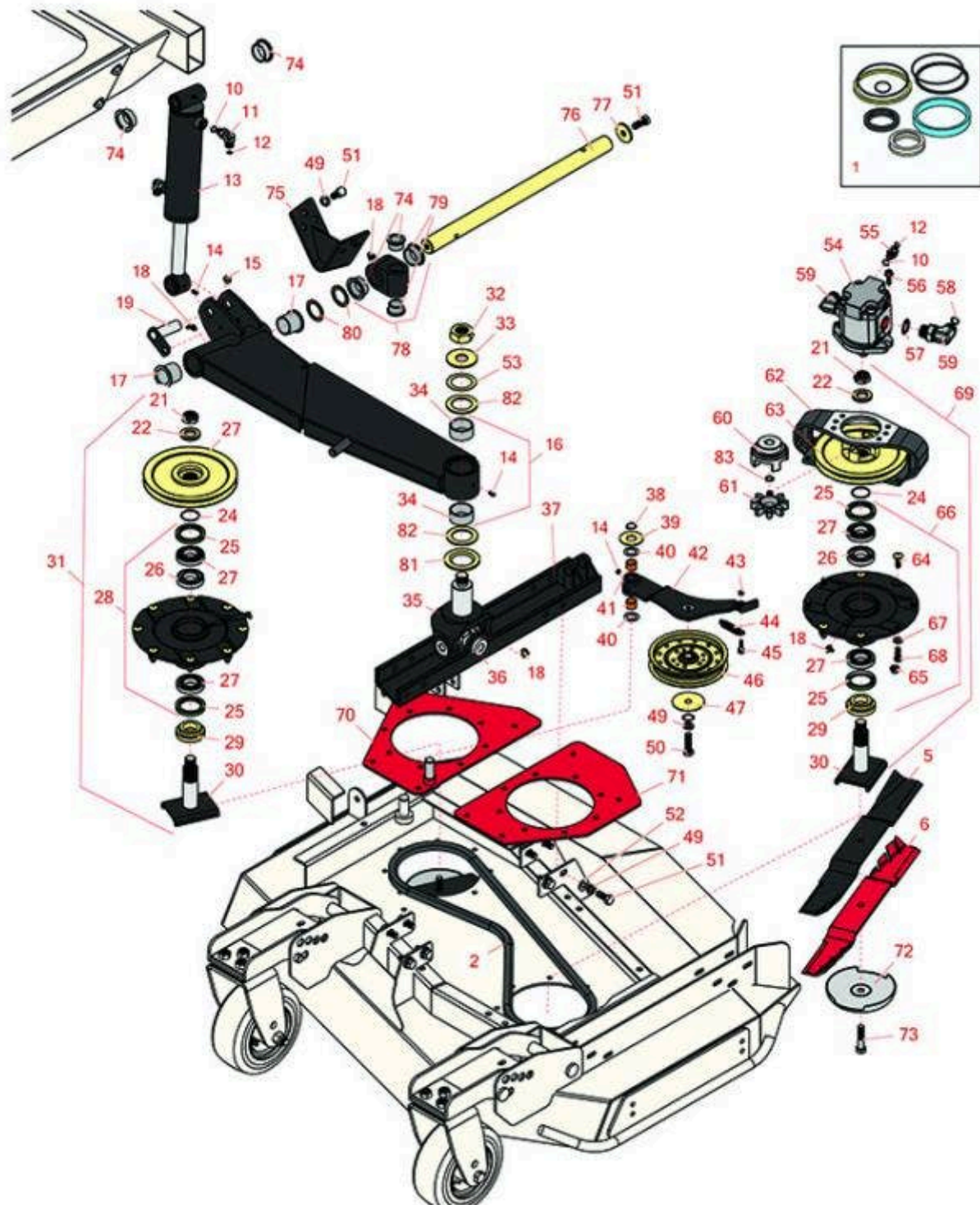


Replaces Toro Groundsmaster 4010-D

Parts

Rotary Mower - Model 30635

Left-Hand Deck Lift Arms and Spindle



All original equipment manufacturers names and part numbers are used for identification purposes only, and we are in no way implying that our products are original equipment parts. Prices subject to change without notice.



Replaces Toro Groundsmaster 4010-D Parts

Rotary Mower - Model 30635
Left-Hand Deck Lift Arms and Spindle



Item No	R&R Part No.	OEM Part No.	Description	Qty Req	Order Quantity
Overhaul Kits					
1	R107-0249	107-0249	Seal Kit - Fits R107-4303 Cyl	1	
2	R55-7660	108-8076	Belt - V Rotary Deck	1	
Rotary Blades					
5	R92-5608	92-5608, 92-5608-03	Mower Blade - 21.75 in	2	
6	R92-5608M	104-1303, 107-0214-03	Mower Blade - Mulcher 21.75	2	
Other Parts Available					
10	R237-42	237-42, 31-4160	O-Ring	3	
11	R340-77	340-100, 340-77, 95-7889	Hydraulic Fitting	2	
12	R237-22	107-8844, 237-22, 237-78	O-Ring	3	
13	R107-4303	107-4303, 99-5496	Cylinder - Lift - Wing	1	
14	R302-5	21-6010, 302-11, 302-37, 302-47, 302-5, 302-57, 302-58, 302-6, 31-0300, 32-9660, 60-0800, 62-3880, 92-4181	Fitting - Grease	4	

All original equipment manufacturers names and part numbers are used for identification purposes only, and we are in no way implying that our products are original equipment parts. Prices subject to change without notice.



Replaces Toro Groundsmaster 4010-D Parts

Rotary Mower - Model 30635
Left-Hand Deck Lift Arms and Spindle



Item No	R&R Part No.	OEM Part No.	Description	Qty Req	Order Quantity
15	R104-8300	104-8300, 104-8300 , 119-4041	Locknut - 5/16-18 Flanged Y/Zinc	1	
16	R119-0089	119-0089	LH Lift Arm Assy	1	
<i>Tech Note: Incl Bushings:</i>					
17	R69-6470	69-6470	Bushing - Flanged	2	
18	R302-60	302-60	Zerk - Grease 90 Deg.	7	
19	R100-5674	100-5674	Pin Assy	1	
21	R32127-46	32127-46, 3296-60	Locknut	2	
22	R104-8322	104-8322, 120-5576	Washer - Spindle Shaft Hardened	2	
24	R106-7159	106-7159	O-Ring	2	
25	R253-154	253-154	Seal - Spindle	4	
26	R104-3549	104-3549	Spacer Set - Spindle Bearing	2	
27	R110-8297	110-8297, 26-1830	Bearing Set w/Retaining Rings - Spindle	2	
28	R119-4775	119-4775	Spindle Housing Assy	1	
29	R92-9800	69-6950, 69-6980, 92-9800	Spacer - Spindle	2	
29	R138-6416	138-6416	Spacer - Spindle Shaft	2	
30	R104-3554	104-3554	Shaft - Spindle Assy.	2	
<i>Tech Note: Ser# 315000001-316000500:</i>					
30	R139-1044	139-1044	Shaft - Spindle Assy	2	
<i>Tech Note: Ser# 405700000-999999999:</i>					

All original equipment manufacturers names and part numbers are used for identification purposes only, and we are in no way implying that our products are original equipment parts. Prices subject to change without notice.



Replaces Toro Groundsmaster 4010-D Parts

Rotary Mower - Model 30635
Left-Hand Deck Lift Arms and Spindle



Item No	R&R Part No.	OEM Part No.	Description	Qty Req	Order Quantity
31	R119-4776	104-3532, 119-4776	Spindle Assy	1	
32	R99-3139	11-5800, 99-3139, Nov-00	Nut	1	
<i>Tech Note: 30448/30605/30609:</i>					
33	R104-0719	104-0719	Washer - Hardened	1	
34	R104-8341	104-8341	Bushing - 1 1/4 in Straight	2	
<i>Tech Note: 30410/30412:</i>					
34	R114-5596	114-5596	Bushing - 1 in Straight	2	
<i>Tech Note: 30448/30605/30609:</i>					
35	R104-0705-03	104-0705-03	Yoke-Joint Assy w/Bearing	1	
<i>Tech Note: 30410/30412:</i>					
35	R114-5640-03	114-5640-03	Yoke - Joint Assy w/Bearing	1	
<i>Tech Note: 30448/30605/30609:</i>					
36	R104-4299	104-4299	Cross and Bearing	1	
<i>Tech Note: 30410/30412:</i>					
37	R100-8149-03	100-8149-03, 107-4349-03	Mount Assy - LH	1	
<i>Tech Note: 30410_2001-2004/30605&30609-2015-16:</i>					
38	R458013	30-0580, 32120-72, 458013, 93-2525, 936125	Ring - Retaining	1	
39	R70-1160	70-1160	Washer	1	

All original equipment manufacturers names and part numbers are used for identification purposes only, and we are in no way implying that our products are original equipment parts. Prices subject to change without notice.



Replaces Toro Groundsmaster 4010-D Parts



Rotary Mower - Model 30635
Left-Hand Deck Lift Arms and Spindle

Item No	R&R Part No.	OEM Part No.	Description	Qty Req	Order Quantity
40	R3-6498	3--6498, 3-6498, 47-8270	Washer - Thrust	2	
41	R256-76	256-76	Bushing	2	
42	R110-6128	110-6128	Idler Arm Assy	1	
43	R3296-56	3296-56	Nut - Lock - 1/4-20 ESNA Jam	1	
44	R107938	107938	Spring - Extension	1	
45	R104-0858	104-0858	Bolt - Shoulder	1	
46	R110-9596	110-9596, 132-9421	Pulley- Flat Idler	1	
47	R100-3102	100-3102	Washer-Flat	1	
49	R3253-7	01-166-0030, 01-166-0080, 01-166-0290, 01-166-0810, 23-13-GD, 3253-7, 48-9380	Washer - Lock 1/2	9	
50	R325-7	01-150-0380, 01-178-0814, 3226-3, 325-7, 48-9490	Bolt - 1/2-13 x 1 3/4 Hex HD Gr 5	1	
51	R325-5	01-150-0250, 01-178-0810, 19-8000, 20-86-AGD, 3226-1, 325-5, 513375	Bolt - Hex HD 1/2-13 x 1-1/4	7	
<i>Tech Note: 30410_2005-08/30412/30448:</i>					
51	R100-6116	100-6116	Bolt - 1/2-13 x 1 1/2 Flanged Hx HD Gr 8	7	

All original equipment manufacturers names and part numbers are used for identification purposes only, and we are in no way implying that our products are original equipment parts. Prices subject to change without notice.



Replaces Toro Groundsmaster 4010-D Parts

Rotary Mower - Model 30635
Left-Hand Deck Lift Arms and Spindle



Item No	R&R Part No.	OEM Part No.	Description	Qty Req	Order Quantity
<i>Tech Note: 30410_2001-2004/30605&30609-2015-16:</i>					
52	R3256-26	01-166-0540, 01-166-0820, 17-2530, 24-13-BD, 30-8570, 3256-26, 356206, 48-9390	Washer - 1/2 in	8	
53	R114-5641	114-5641	Washer - Thrust	1	
54	R127-3694	127-3694	Hydraulic Motor	1	
<i>Tech Note: 314000001-314999999 and Newer:</i>					
54	R99-5489	99-5489	Hydraulic Motor	1	
<i>Tech Note: 313000001-313999999:</i>					
55	R340-2	340-2, 60-1920	Hydraulic Fitting - Striaight	1	
56	R3234-42	3234-42	Bolt - 3/8-16 x 1 Hx HD FI	2	
57	R237-81	237-81, 237.81, 327-81	O-Ring	2	
58	R237-65	237-65, 237.65	O-Ring	2	
59	R340-139	340-139	Hydraulic Fitting - 90 Deg	2	
60	R104-3541	104-3541	Hub - Drive	1	
61	R104-3542	104-3542	Spider	1	
62	R104-3544	104-3544	Mount - Motor Drive	1	
63	R104-3545	104-3545	Pulley - Drive	1	

All original equipment manufacturers names and part numbers are used for identification purposes only, and we are in no way implying that our products are original equipment parts. Prices subject to change without notice.



Replaces Toro Groundsmaster 4010-D Parts

*Rotary Mower - Model 30635
Left-Hand Deck Lift Arms and Spindle*



Item No	R&R Part No.	OEM Part No.	Description	Qty Req	Order Quantity
64	R114-8195	114-8195, R & R ONLY	Bolt- Ribbed Neck	12	
65	R104-8301	104-8301, 104-9301, 109-6658, 133-7570	Locknut - 3/8-16 Nylon Flanged	12	
66	R119-4546	104-3552, 119-3552, 119-4546	Spindle Housing Assy	1	
67	R100-4852	100-4852	Washer - Hardened	4	
68	R323-6	01-150-0010, 01-178-0608, 20-47-AD, 20-47-AGD, 3224-2, 323-6, 49-3510, 908034P, 908332	Bolt - Hex HD 3/8-16 x 1 GR5 YZ	4	
69	R119-4547	104-3529, 119-4547, 139-1035	Driving Spindle Assy	1	
70	R131-1233-01	131-1233-01	Plate - Stiffener	1	
71	R131-1244	131-1244	Plate - Spindle	1	
72	R72-9361	27-1000, 27-1001, 72-9360, 72-9361	Cup - Anti-Scalp	2	
73	R92-5816	92-5816	Bolt - Hex HD 1/2-20 x 2-1/4	2	
74	R115-5469	104-3517, 115-5469	Bushing - Flanged	2	
75	R104-8330-03	104-8330-03	Cam Bracket Assy	1	
76	R121-3882	121-3882	Shaft - Lift Arm Pivot	1	

All original equipment manufacturers names and part numbers are used for identification purposes only, and we are in no way implying that our products are original equipment parts. Prices subject to change without notice.



Replaces Toro Groundsmaster 4010-D Parts

*Rotary Mower - Model 30635
Left-Hand Deck Lift Arms and Spindle*



Item No	R&R Part No.	OEM Part No.	Description	Qty Req	Order Quantity
77	R106-2008	106-2008	Washer - Thrust	1	
78	R115-5468	100-8115, 115-5468	Pivot Hub Assy	1	
79	R114-5680	114-5680	Bushing - Flanged	2	
80	R256-304	256-304	Washer - Thrust	2	
81	R104-0720	104-0720	Spacer	1	
82	R104-0721	104-0721	Washer - Thrust	1	
83	R112-6957	112-6957	Washer - Hardened	1	

All original equipment manufacturers names and part numbers are used for identification purposes only, and we are in no way implying that our products are original equipment parts. Prices subject to change without notice.