

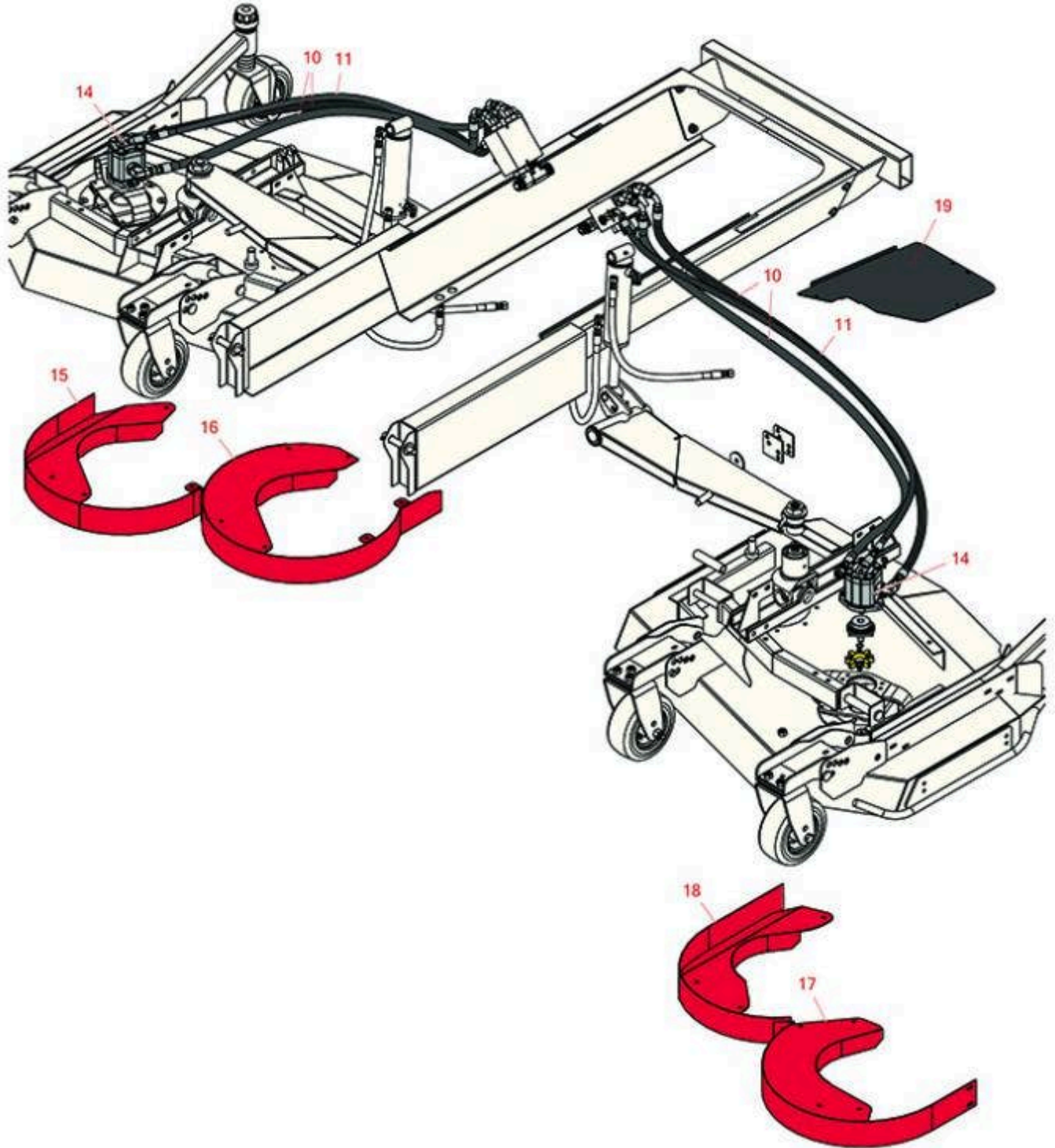


# Replaces Toro Groundsmaster 4010-D

## Parts

Rotary Mower - Model 30635

Right-Hand & Left-Hand Deck Hydraulics and Discharge Chambers



All original equipment manufacturers names and part numbers are used for identification purposes only, and we are in no way implying that our products are original equipment parts. Prices subject to change without notice.



# Replaces Toro Groundsmaster 4010-D Parts

*Rotary Mower - Model 30635*

*Right-Hand & Left-Hand Deck Hydraulics and Discharge  
Chambers*



| Item No | R&R Part No.        | OEM Part No. | Description         | Qty Req | Order Quantity |
|---------|---------------------|--------------|---------------------|---------|----------------|
| 10      | <b>R120-8959</b>    | 120-8959     | Hydraulic Hose Assy | 4       |                |
| 10      | <b>R132-6116</b>    | 132-6116     | Hydraulic Hose Assy | 2       |                |
| 11      | <b>R104-2265</b>    | 104-2265     | Hydraulic Hose Assy | 2       |                |
| 14      | <b>R127-3694</b>    | 127-3694     | Hydraulic Motor     | 2       |                |
| 15      | <b>R130-2680-01</b> | 130-2680-01  | Outer Chamber Assy  | 1       |                |
| 16      | <b>R130-2681-01</b> | 130-2681-01  | Chamber - Inner     | 1       |                |
| 17      | <b>R130-2683-01</b> | 130-2683-01  | Chamber - Inner     | 1       |                |
| 18      | <b>R130-2682-01</b> | 130-2682-01  | Chamber - Outer     | 1       |                |
| 19      | <b>R100-5668-03</b> | 100-5668-03  | Plate - RH Cover    | 1       |                |

All original equipment manufacturers names and part numbers are used for identification purposes only, and we are in no way implying that our products are original equipment parts. Prices subject to change without notice.