

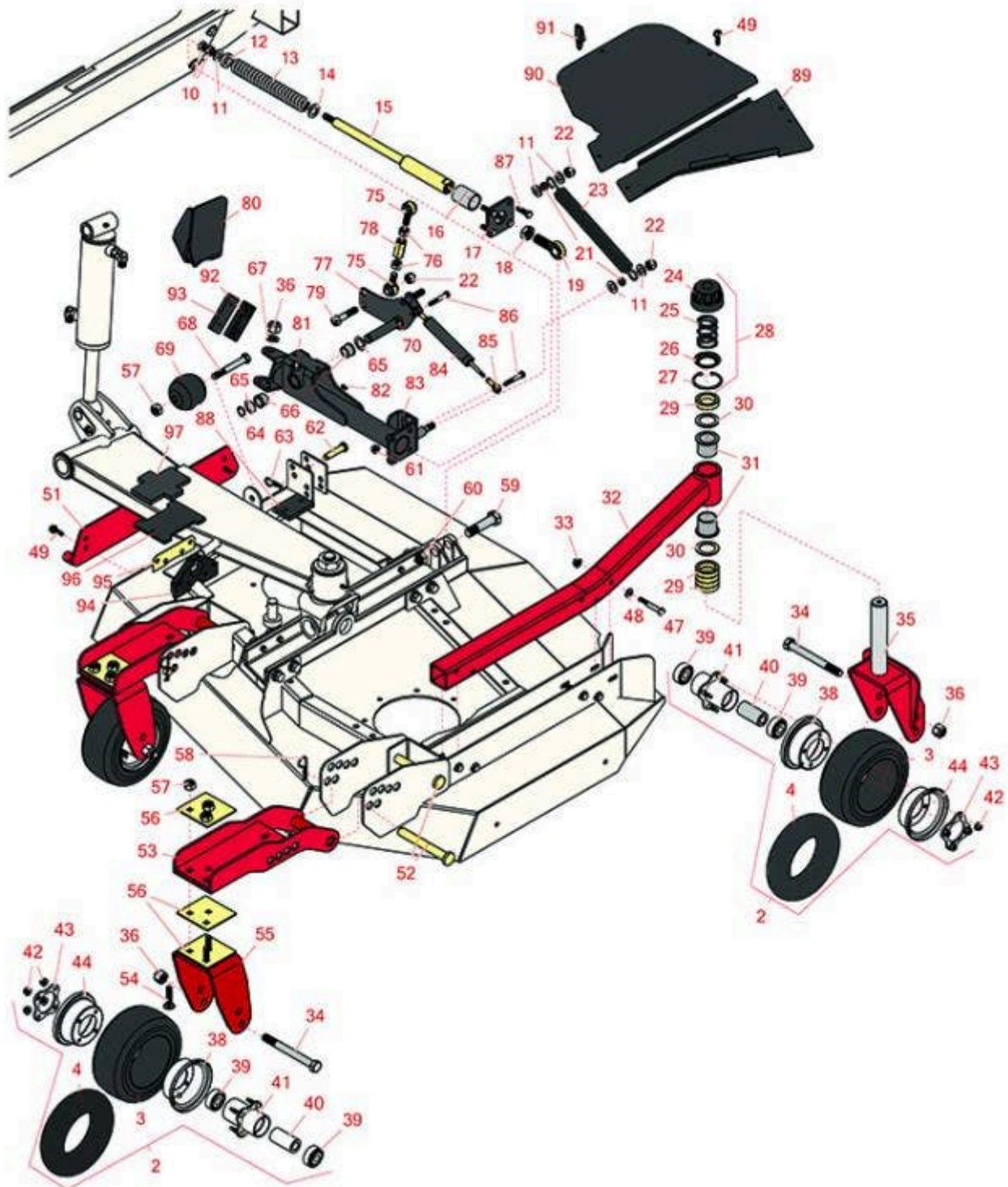


Replaces Toro Groundsmaster 4010-D

Parts

Rotary Mower - Model 30635

Left-Hand Deck Arms and Wheels



All original equipment manufacturers names and part numbers are used for identification purposes only, and we are in no way implying that our products are original equipment parts. Prices subject to change without notice.



Replaces Toro Groundsmaster 4010-D Parts

Rotary Mower - Model 30635
Left-Hand Deck Arms and Wheels



Item No	R&R Part No.	OEM Part No.	Description	Qty Req	Order Quantity
---------	--------------	--------------	-------------	---------	----------------

Tires

2	R137-5529	137-5529, 93-5974, 93-9574, 137-5529	Wheel Assy - Foam Filled 8x3.5-4SM	3	
2	R93-9938	86-0020, 93-9938	Wheel Assy - Castor - Pneu 8x3.50-4	3	
3	R150615	136-4424, 137-5924	Tire - Foam Filled 8-3.5 x 4 Sm 4 Ply	3	
3	R93-9939	93-9939, 98-2877	Tire - 8x3.50-4 (4 Ply) Sm Pneu	3	
4	R68-8950	68-8950	Tube - Castor Wheel 9x3.50-4 TR87	3	

Other Parts Available

10	R443118	01-188-0813, 22-15-AJD, 3217-9	Nut - 1/2-13 Zinc	2	
11	R3256-26	01-166-0540, 01-166-0820, 17-2530, 24-13-BD, 30-8570, 3256-26, 356206, 48-9390	Washer - 1/2 in	13	
12	R105-4552	105-4552	Bearing - Plastic	1	
13	R100-8138	100-8138	Spring-Compression	1	
14	R105-4551	105-4551	Washer- Flat	1	
15	R105-4548	105-4548	Shaft - Spring	1	
16	R105-4550	105-4550	Bushing - Straight	1	
17	R105-2807-03	105-2807-03	Plate	1	

All original equipment manufacturers names and part numbers are used for identification purposes only, and we are in no way implying that our products are original equipment parts. Prices subject to change without notice.



Replaces Toro Groundsmaster 4010-D Parts

Rotary Mower - Model 30635
Left-Hand Deck Arms and Wheels



Item No	R&R Part No.	OEM Part No.	Description	Qty Req	Order Quantity
18	R3220-7	01-191-1216, 3220-7, Mar-03	Nut - 3/4-16 Jam Zinc	1	
19	R105-2806	105-2806	Rod End	1	
21	R104-7521	104-7521	Bushing	2	
22	RF5003	32127-29, 32131-5, 32132-5, 3296-23	Locknut - ESNA 1/2-13	3	
23	R104-7520	104-7520	Spring - Damper	1	
24	R92-8861	92-5582, 92-8861	Cap - HOC	1	
25	R92-9726	92-9726	Spring - Compression	1	
26	R92-5583	92-5583	Washer- Cap	1	
27	R92-5581	92-5581	Ring - Retaining	1	
28	R92-9727	92-9727	Cap Assy - HOC	1	
29	R69-1510	69-1510	Spacer - 1/2 Caster Fork	5	
30	R69-6860	69-6860	Washer - 1/8 - Caster Wheel	2	
31	R69-6470	69-6470	Bushing - Flanged	2	
32	R127-3730	127-3730	Castor Arm Assy - LH - Incl Bushings	1	
<i>Tech Note: Ser# 315000001-316000500:</i>					
32	R132-6167	132-6167	Side Castor Arm Assy - Incl Bushings	1	
<i>Tech Note: Ser# 405226001-999999999:</i>					
33	R104-8301	104-8301, 104-9301, 109-6658, 133-7570	Locknut - 3/8-16 Nylon Flanged	9	

All original equipment manufacturers names and part numbers are used for identification purposes only, and we are in no way implying that our products are original equipment parts. Prices subject to change without notice.



Replaces Toro Groundsmaster 4010-D Parts

Rotary Mower - Model 30635
Left-Hand Deck Arms and Wheels



Item No	R&R Part No.	OEM Part No.	Description	Qty Req	Order Quantity
34	R327-24	327-24	Bolt - Hex HD 5/8-11 x 6	3	
35	R104-0762-01	104-0762-01	Caster Fork	1	
<i>Tech Note: Ser# 315000001-316000500:</i>					
35	R130-2736-01	130-2736-01	Caster Fork	1	
<i>Tech Note: Ser# 405226001-499999999:</i>					
36	R3296-53	3296-53	Locknut - 5/8-11 ESNA Yellow	4	
38	R93-4239	93-4239	Rim - Wheel Half w/Valve Hole	3	
39	R93-4237	93-4237	Bearing	6	
39	R108-9017	108-9017, 120-3366	Bearing-Stainless	6	
40	R93-4241	93-4241	Spacer - Caster Wheel	3	
41	R93-5980	93-4238, 93-5980	Hub Assy - w/o Bearings/Spacer	3	
42	R32128-16	32128-16	Locknut - 5/16-24 Flanged Top	12	
43	R93-4242	93-4242	Plate - Caster Wheel	3	
44	R95-2741	137-5552, 95-2741	Rim - Wheel Half w/o Valve Hole	3	
47	R400274	01-178-0626, 112-7161, 3224-11, 400274	Bolt - Hex HD 3/8-16 x 2-1/2 GR5	5	

All original equipment manufacturers names and part numbers are used for identification purposes only, and we are in no way implying that our products are original equipment parts. Prices subject to change without notice.



Replaces Toro Groundsmaster 4010-D Parts

Rotary Mower - Model 30635
Left-Hand Deck Arms and Wheels



Item No	R&R Part No.	OEM Part No.	Description	Qty Req	Order Quantity
48	R453011	01-166-0100, 01-166-0120, 01-166-0270, 01-166-0500, 01-166-0600, 01-166-0620, 132-4593, 2356-3, 237-12, 24-10-AD, 24-11-AD, 24-11-BD, 24-12-AD, 24-12-BD, 30-9310, 32-8190, 3256-24, 3256-3, 3256-36, 3256-4, 453011, 47-9950, 48-9220, 513458, 7-0052	Washer - Flat 3/8 SAE Y/Zinc	5	
49	R3234-42	3234-42	Bolt - 3/8-16 x 1 Hx HD Fl	4	
<i>Tech Note: 30410/30412/30448_2010-2011:</i>					
51	R104-2250-01	104-2250-01	Skid Assy	1	
<i>Tech Note: 30410/30412/30448_2010-2011:</i>					
52	R100-5569	100-5569	Pin - Clevis 3/4 x 6 3/4	4	
53	R104-7529-01	104-7529-01	Castor Bracket Assy	2	
<i>Tech Note: Ser# 315001501-316000500:</i>					
53	R132-6150-01	132-6150-01	Bracket - Caster	2	
<i>Tech Note: Ser# 405226001-4999999999:</i>					
54	R3233-4	01-173-0816, 3233-4	Bolt - 1/2-13 x 2 Carr Gr 5	6	

All original equipment manufacturers names and part numbers are used for identification purposes only, and we are in no way implying that our products are original equipment parts. Prices subject to change without notice.



Replaces Toro Groundsmaster 4010-D Parts

*Rotary Mower - Model 30635
Left-Hand Deck Arms and Wheels*



Item No	R&R Part No.	OEM Part No.	Description	Qty Req	Order Quantity
55	R132-6157-01	132-6157-01	Bracket - Fork	2	
56	R104-7524	104-7524	Shim	8	
57	R3296-25	30-3380, 32127-21, 32127-31, 3290-160, 3290-33, 3296-13, 3296-25, 3296-45, 329645	Locknut - 1/2-13 Heavy ESNA	7	
58	R460312	30-8530, 3290-343	Pin - Hair Cotter	4	
59	R328-5	01-150-0690, 01-178-1228, 328-5	Bolt - Hx HD 3/4-10 x 3 1/2	1	
60	R3296-51	3296-51, 3296-81	Nut - Nylon Lock 3/4-10 Gr 8	1	
61	R3296-39	32127-25, 32128-36, 3290-357, 3296-17, 3296-22, 3296-39, 915663P, 99-7443	Locknut - 3/8-16 Nylon	4	
62	R92-2739	92-2739	Pin - Clevis	1	
63	R3290-467	3290-467	Pin-Hair	1	
64	R32120-93	32120-93	Snap Ring - HD	1	
65	R3-6498	3--6498, 3-6498, 47-8270	Washer - Thrust	2	
66	R256-113	256-113	Bushing - 3/4 ID x 1 1/8 Flange	1	

All original equipment manufacturers names and part numbers are used for identification purposes only, and we are in no way implying that our products are original equipment parts. Prices subject to change without notice.



Replaces Toro Groundsmaster 4010-D Parts

Rotary Mower - Model 30635
Left-Hand Deck Arms and Wheels



Item No	R&R Part No.	OEM Part No.	Description	Qty Req	Order Quantity
67	RF104	01-166-0020, 01-166-1010, 23-15-GD, 30-8480, 3253-8, 48-9400	Washer - Lock 5/8	1	
68	R325-17	01-150-0640, 01-150-0850, 01-178-0832, 01-178-0836, 20-97-AGD, 325-17, 325-18, 48-9260	Bolt - Hex Head	1	
69	R29-4820	29-4820	Roller	1	
70	R3296-29	1-804256, 3290-357, 3296-29, 915662P	Locknut - 5/16-18 ESNA	3	
75	R105-2808	105-2808	Rod End	2	
76	RMM607	01-158-0610, 01-191-0820, 21-3900, 3220-5, 45-0170, 5/1/3220	Nut - Jam 1/2-20 Zinc	2	
77	R108-1476-03	100-5690-03, 108-1476-03, 114-2717	LH Bell Crank Assy	1	
78	R105-2809	105-2809	Tube - Link	1	
79	R325-8	01-150-0590, 01-178-0816, 20-89-AGD, 3226-4, 325-8	Bolt	1	
80	R120-8856-03	120-8856-03	Bracket- Roller - LH	1	

All original equipment manufacturers names and part numbers are used for identification purposes only, and we are in no way implying that our products are original equipment parts. Prices subject to change without notice.



Replaces Toro Groundsmaster 4010-D Parts

Rotary Mower - Model 30635
Left-Hand Deck Arms and Wheels



Item No	R&R Part No.	OEM Part No.	Description	Qty Req	Order Quantity
81	R301504	2296-42, 301504, 32127-24, 32128-33, 32146-17, 3296-16, 3296-42, 3296-42 , 915661P	Locknut - ESNA 1/4-20	2	
82	R302-5	21-6010, 302-11, 302-37, 302-47, 302-5, 302-57, 302-58, 302-6, 31-0300, 32-9660, 60-0800, 62-3880, 92-4181	Fitting - Grease	2	
83	R120-8884	120-8884	Arm Assy - LH Rear	1	
84	R105-3249	104-7512, 105-3249	Damper	1	
85	R104-8331	104-8331	Rod End - Spherical	2	
86	R322-10	20-30-AD, 24-7180, 322-10, 322-10 , 3223-6, 513347	Bolt - Hex HD 5/16-18 x 2	2	

All original equipment manufacturers names and part numbers are used for identification purposes only, and we are in no way implying that our products are original equipment parts. Prices subject to change without notice.



Replaces Toro Groundsmaster 4010-D Parts

Rotary Mower - Model 30635
Left-Hand Deck Arms and Wheels



Item No	R&R Part No.	OEM Part No.	Description	Qty Req	Order Quantity
87	R400264	01-150-0180, 01-178-0610, 20-48-AD, 20-48-AGD, 32-9160, 3224-3, 323-29, 323-7, 400264, 908035P	Bolt - Hex HD 3/8-16 x 1-1/4	4	
88	R69-9290	69-9290	Pad - Bumper	1	
89	R100-5664-03	100-5664-03	Plate-Cover, LH	1	
90	R100-5667-03	100-5667-03	Plate-Cover, LH Side	1	
91	R74-5950	249-48, 74-5950	Latch - Swell	7	
92	R86-5350	86-5350	Bumper - Rubber	2	
93	R119-8308-03	119-8308, 119-8308-03	Plate	2	
94	R104-8305-03	104-8305-03	Mount-Base	2	
95	R104-0731	104-0731	Shim	2	
96	R108-1528-03	108-1528-03	Plate	1	
97	R104-8348	104-8348	Plate-Rubber	1	
<i>Tech Note: Ser# 316000500-405699999:</i>					
97	R104-8347-03	104-8347-03	Plate	1	
<i>Tech Note: Ser# 315001001-316000500:</i>					

All original equipment manufacturers names and part numbers are used for identification purposes only, and we are in no way implying that our products are original equipment parts. Prices subject to change without notice.