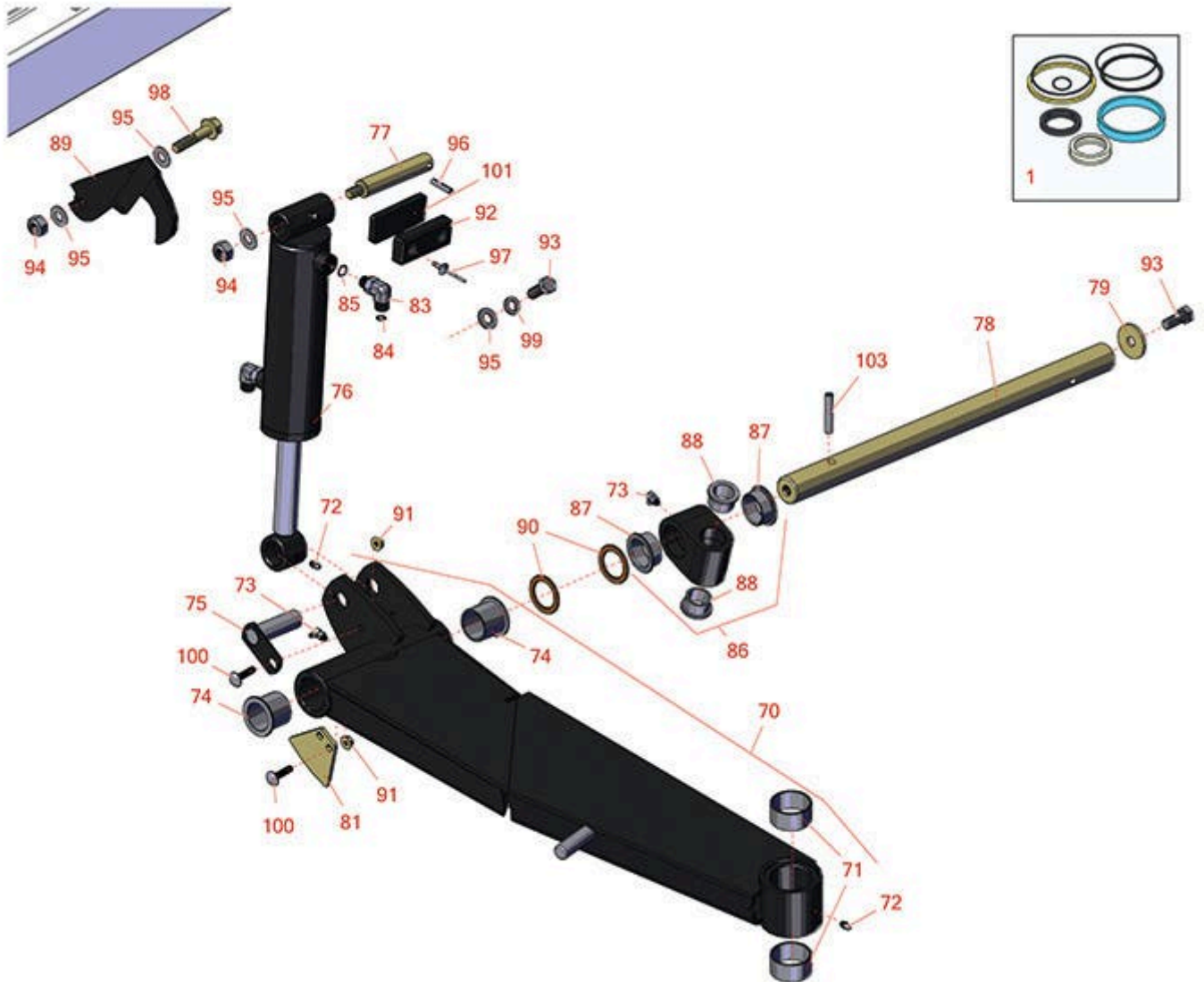




Replaces Toro Groundsmaster 4010-D Parts

Rotary Mower - Model 30607
Side Deck Lift Arm, Cylinder and Latch



All original equipment manufacturers names and part numbers are used for identification purposes only, and we are in no way implying that our products are original equipment parts. Prices subject to change without notice.



Replaces Toro Groundsmaster 4010-D Parts

Rotary Mower - Model 30607
Side Deck Lift Arm, Cylinder and Latch



| Item No | R&R Part No. | OEM Part No. | Description | Qty Req | Order Quantity |
|------------------------------|------------------|--|-------------------------------|---------|----------------|
| Overhaul Kits | | | | | |
| 1 | R107-0249 | 107-0249 | Seal Kit - Fits R107-4303 Cyl | 1 | |
| Other Parts Available | | | | | |
| 70 | R119-0089 | 119-0089 | LH Lift Arm Assy | 1 | |
| 70 | R119-0087 | 119-0087 | RH Lift Arm Assy | 1 | |
| 71 | R114-5596 | 114-5596 | Bushing - 1 in Straight | 4 | |
| 72 | R302-5 | 21-6010, 302-11, 302-37, 302-47, 302-5, 302-57, 302-58, 302-6, 31-0300, 32-9660, 60-0800, 62-3880, 92-4181 | Fitting - Grease | 4 | |
| 73 | R302-60 | 302-60 | Zerk - Grease 90 Deg. | 4 | |
| 74 | R69-6470 | 69-6470 | Bushing - Flanged | 4 | |
| 75 | R100-5674 | 100-5674 | Pin Assy | 2 | |
| 76 | R107-4303 | 107-4303, 99-5496 | Cylinder - Lift - Wing | 2 | |
| 77 | R104-3537 | 104-3537 | Pin - Cylinder | 2 | |
| 78 | R121-3882 | 121-3882 | Shaft - Lift Arm Pivot | 2 | |
| 79 | R106-2008 | 106-2008 | Washer - Thrust | 2 | |
| 81 | R119-0077 | 119-0077 | Plate- Sensing - Wing | 2 | |

All original equipment manufacturers names and part numbers are used for identification purposes only, and we are in no way implying that our products are original equipment parts. Prices subject to change without notice.



Replaces Toro Groundsmaster 4010-D Parts

*Rotary Mower - Model 30607
Side Deck Lift Arm, Cylinder and Latch*



| Item No | R&R Part No. | OEM Part No. | Description | Qty Req | Order Quantity |
|---------|---------------------|---|----------------------------------|---------|----------------|
| 83 | R340-77 | 340-100, 340-77, 95-7889 | Hydraulic Fitting | 4 | |
| 84 | R237-22 | 107-8844, 237-22, 237-78 | O-Ring | 4 | |
| 85 | R237-42 | 237-42, 31-4160 | O-Ring | 4 | |
| 86 | R115-5468 | 100-8115, 115-5468 | Pivot Hub Assy | 2 | |
| 87 | R115-5469 | 104-3517, 115-5469 | Bushing - Flanged | 4 | |
| 88 | R114-5680 | 114-5680 | Bushing - Flanged | 4 | |
| 89 | R104-3556-03 | 104-3556-03 | Latch - RH | 1 | |
| 89 | R104-3557-03 | 104-3557-03 | Latch - LH | 1 | |
| 90 | R256-304 | 256-304 | Washer - Thrust | 4 | |
| 91 | R104-8300 | 104-8300, 104-8300, 119-4041 | Locknut - 5/16-18 Flanged Y/Zinc | 6 | |
| 92 | R86-5350 | 86-5350 | Bumper - Rubber | 2 | |
| 93 | R325-5 | 01-150-0250, 01-178-0810, 19-8000, 20-86-AGD, 3226-1, 325-5, 513375 | Bolt - Hex HD 1/2-13 x 1-1/4 | 8 | |

All original equipment manufacturers names and part numbers are used for identification purposes only, and we are in no way implying that our products are original equipment parts. Prices subject to change without notice.



Replaces Toro Groundsmaster 4010-D Parts



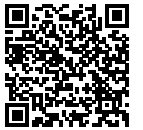
*Rotary Mower - Model 30607
Side Deck Lift Arm, Cylinder and Latch*

| Item No | R&R Part No. | OEM Part No. | Description | Qty Req | Order Quantity |
|---------|---------------------|---|-----------------------------------|---------|----------------|
| 94 | R3296-25 | 30-3380, 32127-21, 32127-31, 3290-160, 3290-33, 3296-13, 3296-25, 3296-45, 329645 | Locknut - 1/2-13 Heavy ESNA | 4 | |
| 95 | R3256-26 | 01-166-0540, 01-166-0820, 17-2530, 24-13-BD, 30-8570, 3256-26, 356206, 48-9390 | Washer - 1/2 in | 10 | |
| 96 | R32121-9 | 32121-9 | Pin - Roll - 1/4 x 1 1/4 | 2 | |
| 97 | R3269-11 | 01-161-0100, 3269-11 | Rivet | 4 | |
| 98 | R3234-46 | 3234-46 | Bolt - 1/2-13 x 2 1/4 GR8HX HD FI | 2 | |
| 99 | R3253-7 | 01-166-0030, 01-166-0080, 01-166-0290, 01-166-0810, 23-13-GD, 3253-7, 48-9380 | Washer - Lock 1/2 | 6 | |
| 100 | R3230-2 | 01-173-0508, 25-25-AGD, 3230-16, 3230-2, 513624, 513633, 513635, 900038P | Bolt - Carriage | 4 | |
| 101 | R119-8308-03 | 119-8308, 119-8308-03 | Plate | 2 | |

All original equipment manufacturers names and part numbers are used for identification purposes only, and we are in no way implying that our products are original equipment parts. Prices subject to change without notice.



Replaces Toro Groundsmaster 4010-D Parts



*Rotary Mower - Model 30607
Side Deck Lift Arm, Cylinder and Latch*

| Item No | R&R Part No. | OEM Part No. | Description | Qty Req | Order Quantity |
|---------|-------------------|--------------|--------------------|---------|----------------|
| 103 | R32121-110 | 32121-110 | Roll Pin - Slotted | 2 | |

All original equipment manufacturers names and part numbers are used for identification purposes only, and we are in no way implying that our products are original equipment parts. Prices subject to change without notice.