

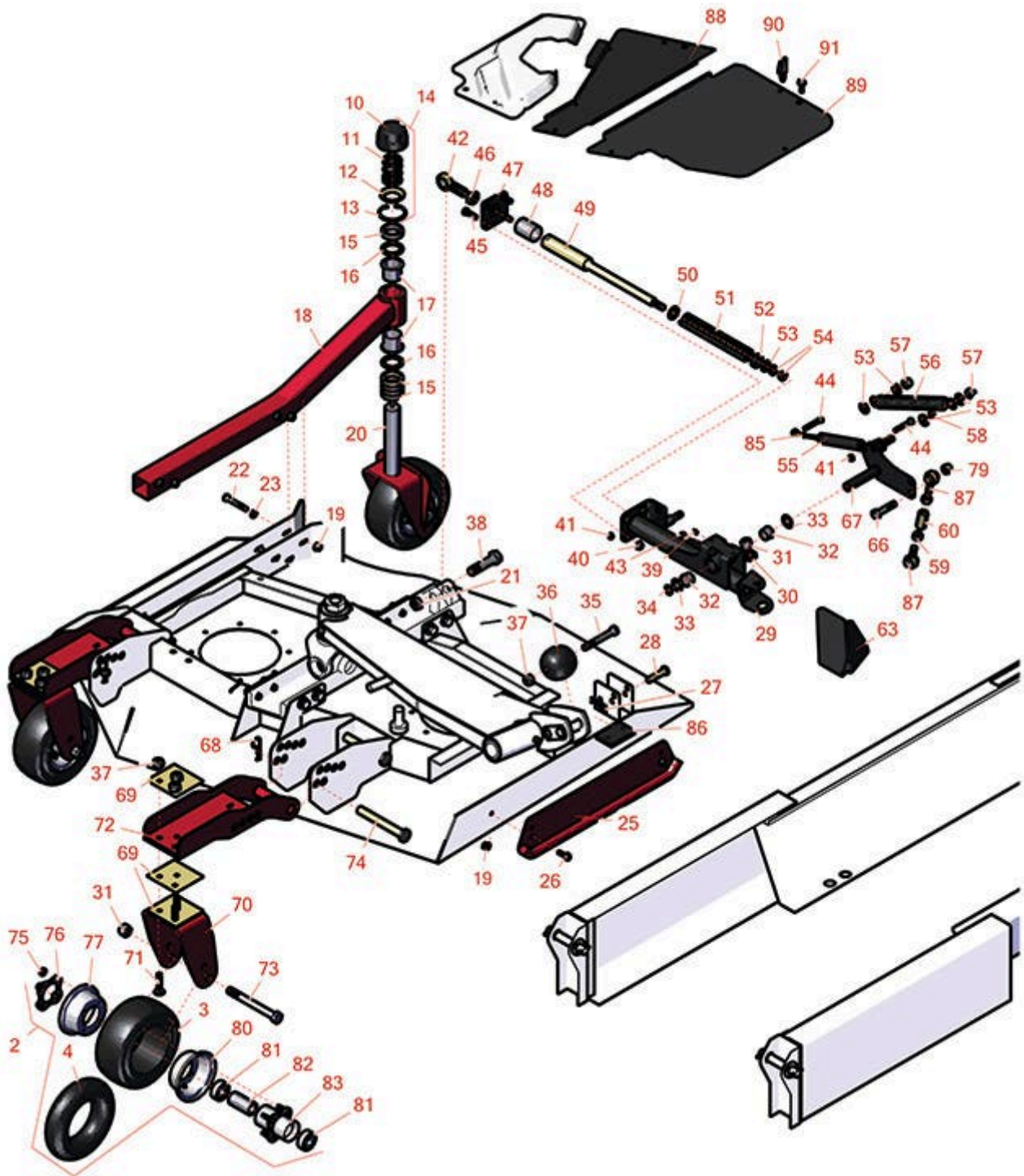


Replaces Toro Groundsmaster 4010-D

Parts

Rotary Mower - Model 30607

Right-Hand Deck Arms and Wheels



All original equipment manufacturers names and part numbers are used for identification purposes only, and we are in no way implying that our products are original equipment parts. Prices subject to change without notice.



Replaces Toro Groundsmaster 4010-D Parts

Rotary Mower - Model 30607
Right-Hand Deck Arms and Wheels



Item No	R&R Part No.	OEM Part No.	Description	Qty Req	Order Quantity
2	R137-5529	137-5529, 93-5974, 93-9574, 137-5529	Wheel Assy - Foam Filled 8x3.5-4SM	3	
2	R93-9938	86-0020, 93-9938	Wheel Assy - Castor - Pneu 8x3.50-4	3	
3	R150615	136-4424, 137-5924	Tire - Foam Filled 8-3.5 x 4 Sm 4 Ply	3	
3	R93-9939	93-9939, 98-2877	Tire - 8x3.50-4 (4 Ply) Sm Pneu	3	
4	R68-8950	68-8950	Tube - Castor Wheel 9x3.50-4 TR87	3	
10	R92-8861	92-5582, 92-8861	Cap - HOC	1	
11	R92-9726	92-9726	Spring - Compression	1	
12	R92-5583	92-5583	Washer- Cap	1	
13	R92-5581	92-5581	Ring - Retaining	1	
14	R92-9727	92-9727	Cap Assy - HOC	1	
15	R69-1510	69-1510	Spacer - 1/2 Caster Fork	5	
16	R69-6860	69-6860	Washer - 1/8 - Caster Wheel	2	
17	R69-6470	69-6470	Bushing - Flanged	2	
18	R100-8093	100-8093, 127-3741	Castor Arm Assy - Incl Bushings	1	
<i>Tech Note: Fits 30607 only:</i>					
18	R127-3740	127-3740	Side Castor Arm Assy - Incl Bushings	1	
<i>Tech Note: Ser# 314000001-314999999:</i>					

All original equipment manufacturers names and part numbers are used for identification purposes only, and we are in no way implying that our products are original equipment parts. Prices subject to change without notice.



Replaces Toro Groundsmaster 4010-D Parts



Rotary Mower - Model 30607
Right-Hand Deck Arms and Wheels

Item No	R&R Part No.	OEM Part No.	Description	Qty Req	Order Quantity
19	R104-8301	104-8301, 104-9301, 109-6658, 133-7570	Locknut - 3/8-16 Nylon Flanged	9	
20	R104-0762-01	104-0762-01	Caster Fork	1	
21	R3296-51	3296-51, 3296-81	Nut - Nylon Lock 3/4-10 Gr 8	1	
22	R400274	01-178-0626, 112-7161, 3224-11, 400274	Bolt - Hex HD 3/8-16 x 2-1/2 GR5	5	
23	R453011	01-166-0100, 01-166-0120, 01-166-0270, 01-166-0500, 01-166-0600, 01-166-0620, 132-4593, 2356-3, 237-12, 24-10-AD, 24-11-AD, 24-11-BD, 24-12-AD, 24-12-BD, 30-9310, 32-8190, 3256-24, 3256-3, 3256-36, 3256-4, 453011, 47-9950, 48-9220, 513458, 7-0052	Washer - Flat 3/8 SAE Y/Zinc	5	
25	R104-2250-01	104-2250-01	Skid Assy	1	
26	R3234-42	3234-42	Bolt - 3/8-16 x 1 Hx HD Fl	4	
27	R3290-467	3290-467	Pin-Hair	1	

All original equipment manufacturers names and part numbers are used for identification purposes only, and we are in no way implying that our products are original equipment parts. Prices subject to change without notice.



Replaces Toro Groundsmaster 4010-D Parts

Rotary Mower - Model 30607
Right-Hand Deck Arms and Wheels



Item No	R&R Part No.	OEM Part No.	Description	Qty Req	Order Quantity
28	R92-2739	92-2739	Pin - Clevis	1	
29	R120-8883	120-8883	Arm Assy - RH Rear	1	
30	RF104	01-166-0020, 01-166-1010, 23-15-GD, 30-8480, 3253-8, 48-9400	Washer - Lock 5/8	1	
31	R3296-53	3296-53	Locknut - 5/8-11 ESNA Yellow	4	
32	R256-113	256-113	Bushing - 3/4 ID x 1 1/8 Flange	2	
33	R3-6498	3--6498, 3-6498, 47-8270	Washer - Thrust	2	
34	R32120-93	32120-93	Snap Ring - HD	1	
35	R325-17	01-150-0640, 01-150-0850, 01-178-0832, 01-178-0836, 20-97-AGD, 325-17, 325-18, 48-9260	Bolt - Hex Head	1	
36	R29-4820	29-4820	Roller	1	
37	R3296-25	30-3380, 32127-21, 32127-31, 3290-160, 3290-33, 3296-13, 3296-25, 3296-45, 329645	Locknut - 1/2-13 Heavy ESNA	7	
38	R328-5	01-150-0690, 01-178-1228, 328-5	Bolt - Hx HD 3/4-10 x 3 1/2	1	

All original equipment manufacturers names and part numbers are used for identification purposes only, and we are in no way implying that our products are original equipment parts. Prices subject to change without notice.



Replaces Toro Groundsmaster 4010-D Parts

Rotary Mower - Model 30607
Right-Hand Deck Arms and Wheels



Item No	R&R Part No.	OEM Part No.	Description	Qty Req	Order Quantity
39	R302-5	21-6010, 302-11, 302-37, 302-47, 302-5, 302-57, 302-58, 302-6, 31-0300, 32-9660, 60-0800, 62-3880, 92-4181	Fitting - Grease	2	
40	R3296-39	32127-25, 32128-36, 3290-357, 3296-17, 3296-22, 3296-39, 915663P, 99-7443	Locknut - 3/8-16 Nylon	4	
41	R3296-29	1-804256, 3290-357, 3296-29, 915662P	Locknut - 5/16-18 ESNA	3	
42	R105-2806	105-2806	Rod End	1	
43	R301504	2296-42, 301504, 32127-24, 32128-33, 32146-17, 3296-16, 3296-42, 3296-42 , 915661P	Locknut - ESNA 1/4-20	2	
44	R322-10	20-30-AD, 24-7180, 322-10, 322-10 , 3223-6, 513347	Bolt - Hex HD 5/16-18 x 2	2	

All original equipment manufacturers names and part numbers are used for identification purposes only, and we are in no way implying that our products are original equipment parts. Prices subject to change without notice.



Replaces Toro Groundsmaster 4010-D Parts

Rotary Mower - Model 30607
Right-Hand Deck Arms and Wheels



Item No	R&R Part No.	OEM Part No.	Description	Qty Req	Order Quantity
45	R400264	01-150-0180, 01-178-0610, 20-48-AD, 20-48-AGD, 32-9160, 3224-3, 323-29, 323-7, 400264, 908035P	Bolt - Hex HD 3/8-16 x 1-1/4	4	
46	R3220-7	01-191-1216, 3220-7, Mar-03	Nut - 3/4-16 Jam Zinc	1	
47	R105-2807-03	105-2807-03	Plate	1	
48	R105-4550	105-4550	Bushing - Straight	1	
49	R105-4548	105-4548	Shaft - Spring	1	
50	R105-4551	105-4551	Washer- Flat	1	
51	R100-8138	100-8138	Spring-Compression	1	
52	R105-4552	105-4552	Bearing - Plastic	1	
53	R3256-26	01-166-0540, 01-166-0820, 17-2530, 24-13-BD, 30-8570, 3256-26, 356206, 48-9390	Washer - 1/2 in	5	
54	R443118	01-188-0813, 22-15-AJD, 3217-9	Nut - 1/2-13 Zinc	2	
55	R105-3249	104-7512, 105-3249	Damper	1	
56	R104-7520	104-7520	Spring - Damper	1	

All original equipment manufacturers names and part numbers are used for identification purposes only, and we are in no way implying that our products are original equipment parts. Prices subject to change without notice.



Replaces Toro Groundsmaster 4010-D Parts

Rotary Mower - Model 30607
Right-Hand Deck Arms and Wheels



Item No	R&R Part No.	OEM Part No.	Description	Qty Req	Order Quantity
57	RF5003	32127-29, 32131-5, 32132-5, 3296-23	Locknut - ESNA 1/2-13	3	
58	R104-7521	104-7521	Bushing	2	
59	RMM607	01-158-0610, 01-191-0820, 21-3900, 3220-5, 45-0170, 5/1/3220	Nut - Jam 1/2-20 Zinc	2	
60	R105-2809	105-2809	Tube - Link	1	
63	R120-8874-03	120-8874-03	Bracket- Roller - RH	1	
66	R325-8	01-150-0590, 01-178-0816, 20-89-AGD, 3226-4, 325-8	Bolt	1	
67	R108-1475-03	100-5684-03, 108-1475-03, 114-2716	RH Bell Crank Assy	1	
68	R460312	30-8530, 3290-343	Pin - Hair Cotter	4	
69	R104-7524	104-7524	Shim	8	
70	R104-7525-01	104-7525-01	Bracket - Fork	2	
<i>Tech Note: Fits 30607 only:</i>					
71	R3233-4	01-173-0816, 3233-4	Bolt - 1/2-13 x 2 Carr Gr 5	6	
72	R104-7529-01	104-7529-01	Castor Bracket Assy	2	
73	R327-24	327-24	Bolt - Hex HD 5/8-11 x 6	3	

All original equipment manufacturers names and part numbers are used for identification purposes only, and we are in no way implying that our products are original equipment parts. Prices subject to change without notice.



Replaces Toro Groundsmaster 4010-D Parts

*Rotary Mower - Model 30607
Right-Hand Deck Arms and Wheels*



Item No	R&R Part No.	OEM Part No.	Description	Qty Req	Order Quantity
74	R100-5569	100-5569	Pin - Clevis 3/4 x 6 3/4	4	
75	R32128-16	32128-16	Locknut - 5/16-24 Flanged Top	12	
76	R93-4242	93-4242	Plate - Caster Wheel	3	
77	R95-2741	137-5552, 95-2741	Rim - Wheel Half w/o Valve Hole	3	
80	R93-4239	93-4239	Rim - Wheel Half w/Valve Hole	3	
81	R93-4237	93-4237	Bearing	6	
81	R108-9017	108-9017, 120-3366	Bearing-Stainless	6	
82	R93-4241	93-4241	Spacer - Caster Wheel	3	
83	R93-5980	93-4238, 93-5980	Hub Assy - w/o Bearings/Spacer	3	
85	R104-8331	104-8331	Rod End - Spherical	2	
86	R69-9290	69-9290	Pad - Bumper	1	
87	R105-2808	105-2808	Rod End	2	
88	R100-5665-03	100-5665-03	Plate-Cover, RH	1	
89	R100-5668-03	100-5668-03	Plate - RH Cover	1	
90	R74-5950	249-48, 74-5950	Latch - Swell	7	

All original equipment manufacturers names and part numbers are used for identification purposes only, and we are in no way implying that our products are original equipment parts. Prices subject to change without notice.