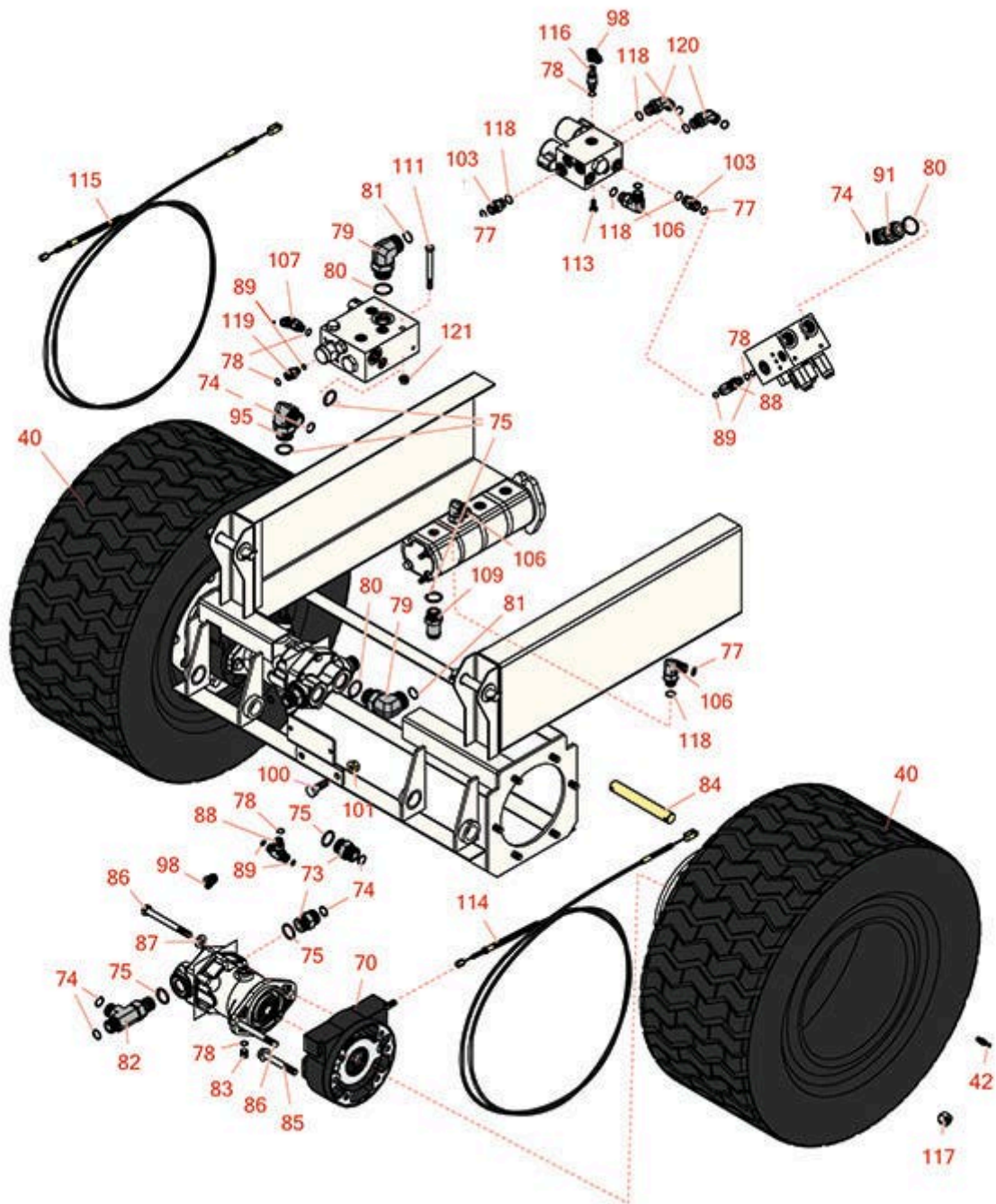




Replaces Toro Groundsmaster 4010-D Parts

Rotary Mower - Model 30603
Planetary, Brake And Tire Assembly



All original equipment manufacturers names and part numbers are used for identification purposes only, and we are in no way implying that our products are original equipment parts. Prices subject to change without notice.



Replaces Toro Groundsmaster 4010-D Parts

Rotary Mower - Model 30603
Planetary, Brake And Tire Assembly



Item No	R&R Part No.	OEM Part No.	Description	Qty Req	Order Quantity
Tires & Wheels					
40	RCT574377	119-8313, 126-8033, 99-5434	Tire - 26x12.00-12 Nhs (6 Ply) Carlisle Multi Trac C/S	2	
40	RTK1010-6TF-I	120-8910	Tire - 20x10.00-10 (6 Ply) Kenda Super Turf	2	
42	R232-27	232-27, 232-31	Stem - Valve w/ Cap	2	
Other Parts Available					
70	R100-3070-03	100-3070-03	Brake Assy - LH	1	
70	R100-3069-03	100-3069-03	Brake Assy - RH	1	
73	R340-9	340-9	Fitting - Straight Connector	4	
74	R237-58	237-58	O-Ring	8	
75	R237-81	237-81, 237.81, 327-81	O-Ring	9	
77	R237-30	23-6320, 237-30	O-Ring - Seal	11	
78	R237-42	237-42, 31-4160	O-Ring	8	
79	R340-129	340-129	Hydraulic Fitting - 90 Deg	2	
80	R237-146	237-146, 340-146	O-Ring	4	
81	R340-65	340-65	O-Ring	4	
82	R340-148	340-148	Fitting-Tee	1	
83	R353-989	353-989	Plug - Hex - Hollow	1	
84	R110-6006	110-6006	Clevis Pin	2	

All original equipment manufacturers names and part numbers are used for identification purposes only, and we are in no way implying that our products are original equipment parts. Prices subject to change without notice.



Replaces Toro Groundsmaster 4010-D Parts

Rotary Mower - Model 30603
Planetary, Brake And Tire Assembly



Item No	R&R Part No.	OEM Part No.	Description	Qty Req	Order Quantity
85	R33106-090	33106-090	Bolt - M12-1.75 x 90 Fl Hex HD Gr 8.8	4	
86	R33116-120	33116-120	Bolt - M12-1.75 x 120mm Hx HD	4	
87	R3256-26	01-166-0540, 01-166-0820, 17-2530, 24-13-BD, 30-8570, 3256-26, 356206, 48-9390	Washer - 1/2 in	8	
88	R340-94	340-94	Adapter	2	
89	R237-22	107-8844, 237-22, 237-78	O-Ring	6	
91	R100-5530	100-5530, 98-0657	Hydraulic Fitting - 45 Deg	1	
95	R340-142	340-142, 95-1692	Hydraulic Fitting - 90 Deg	1	
98	R354-79	354-79	Cap-Dust	2	
100	R400408	01-150-0090, 01-178-0812, 20-87-AD, 20-87-AGD, 20-87-AGF, 3226-2, 325-6, 513376, 513378	Bolt - Hex HD 1/2-13 x 1-1/2	8	
101	R32128-23	32128-23, 3218-23, 99-5107	Nut - Lock Hex Flanged 1/2-13	8	
103	R340-4	340-4	Hydraulic Fitting - Male Connector	2	
106	R340-98	340-98	Hydraulic Fitting	3	

All original equipment manufacturers names and part numbers are used for identification purposes only, and we are in no way implying that our products are original equipment parts. Prices subject to change without notice.



Replaces Toro Groundsmaster 4010-D Parts

Rotary Mower - Model 30603
Planetary, Brake And Tire Assembly



Item No	R&R Part No.	OEM Part No.	Description	Qty Req	Order Quantity
107	R340-77	340-100, 340-77, 95-7889	Hydraulic Fitting	1	
109	R99-3017	99-3017	Fitting	1	
111	R323-42	01-178-0630, 323-42	Bolt - Hx HD 3/8-16 x 3 3/4	1	
113	R322-3	01-150-1420, 01-178-0506, 20-24-AD, 20-24-AGD, 322-3, 48-9270, 513339, 908017P	Bolt - Hex HD 5/16-18 x 3/4	2	
114	R120-8899	120-8899	Cable - Brake - LH	1	
115	R120-8898	120-8898	Cable - Brake - RH	1	
116	R59-7410	59-7410	Tip-Nipple	1	
117	R242-50	242-50	Nut - 1/2-20 Wheel	16	
118	R237-79	237-79	O-Ring	10	
119	R340-2	340-2, 60-1920	Hydraulic Fitting - Striaght	1	
120	R340-101	340-101	Hydraulic Fitting	2	
121	R104-8301	104-8301, 104-9301, 109-6658, 133-7570	Locknut - 3/8-16 Nylon Flanged	1	

All original equipment manufacturers names and part numbers are used for identification purposes only, and we are in no way implying that our products are original equipment parts. Prices subject to change without notice.