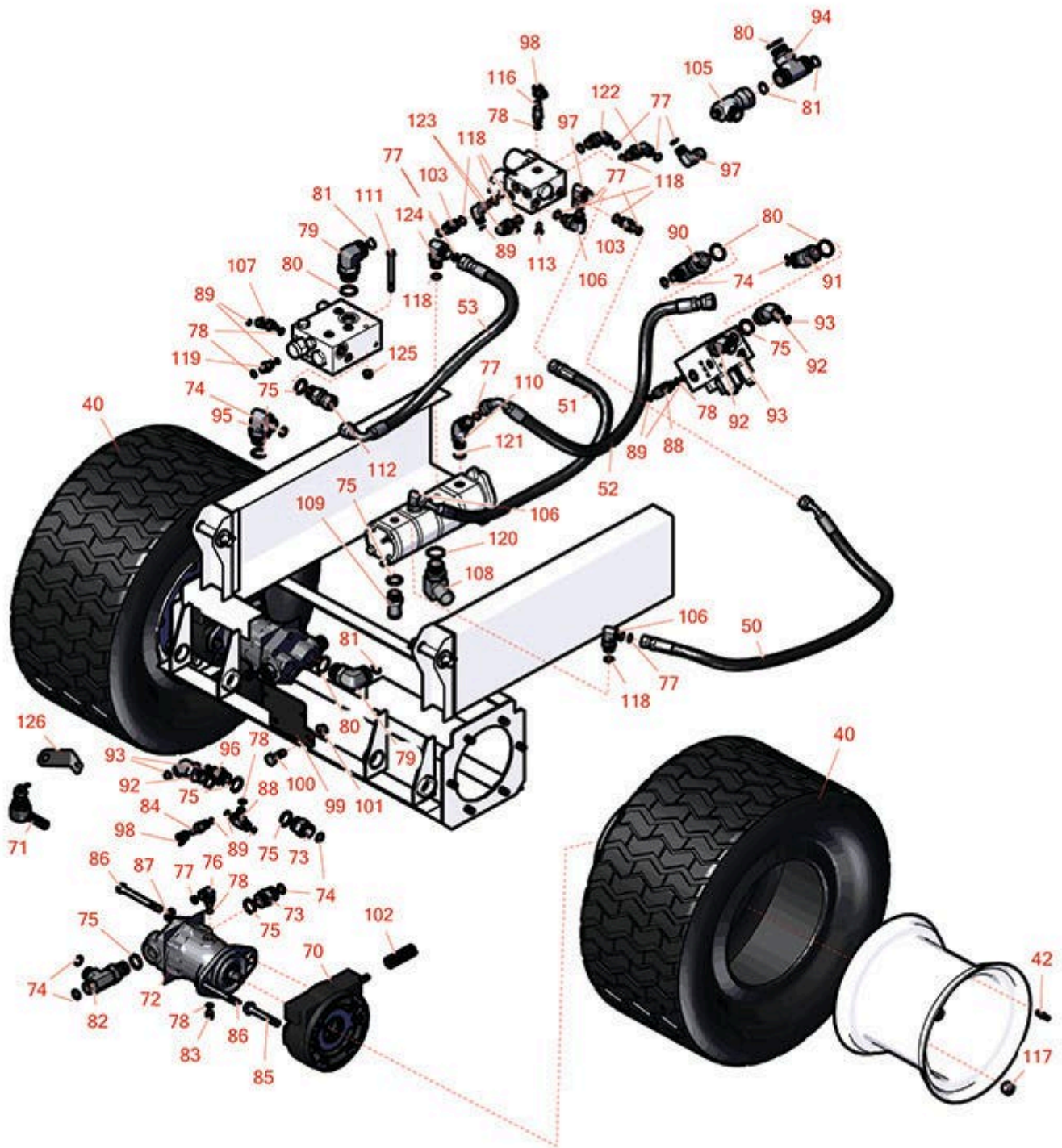




Replaces Toro Groundsmaster 4010-D Parts

Rotary Mower - Model 30446
Planetary, Brake And Tire Assembly



All original equipment manufacturers names and part numbers are used for identification purposes only, and we are in no way implying that our products are original equipment parts. Prices subject to change without notice.



Replaces Toro Groundsmaster 4010-D Parts

Rotary Mower - Model 30446
Planetary, Brake And Tire Assembly



Item No	R&R Part No.	OEM Part No.	Description	Qty Req	Order Quantity
---------	--------------	--------------	-------------	---------	----------------

Tires & Wheels

40	RCT574377	119-8313, 126-8033, 99-5434	Tire - 26x12.00-12 Nhs (6 Ply) Carlisle Multi Trac C/S	2	
42	R232-27	232-27, 232-31	Stem - Valve w/ Cap	2	

Hoses

50	R95-3737	95-3737	Hydraulic Hose Assy	1	
51	R105-3985	105-3985	Hydraulic Hose Assy	1	
52	R114-3837	114-3837	Hydraulic Hose Assy	1	
53	R95-0961	95-0961	Hydraulic Hose Assy	1	

Other Parts Available

70	R100-3070-03	100-3070-03	Brake Assy - LH	1	
70	R100-3069-03	100-3069-03	Brake Assy - RH	1	
71	R106-1113	100-3852, 106-1113	Tie Rod End Assy RH Thread	2	
72	R100-3052	100-3052	Piston Motor Assy - Front	2	
73	R340-9	340-9	Fitting - Straight Connector	4	
74	R237-58	237-58	O-Ring	9	
75	R237-81	237-81, 237.81, 327-81	O-Ring	12	
76	R340-99	340-99	Hydraulic Fitting - 90 Deg	3	
77	R237-30	23-6320, 237-30	O-Ring - Seal	15	

All original equipment manufacturers names and part numbers are used for identification purposes only, and we are in no way implying that our products are original equipment parts. Prices subject to change without notice.



Replaces Toro Groundsmaster 4010-D Parts

Rotary Mower - Model 30446
Planetary, Brake And Tire Assembly



Item No	R&R Part No.	OEM Part No.	Description	Qty Req	Order Quantity
78	R237-42	237-42, 31-4160	O-Ring	9	
79	R340-129	340-129	Hydraulic Fitting - 90 Deg	2	
80	R237-146	237-146, 340-146	O-Ring	6	
81	R340-65	340-65	O-Ring	4	
82	R340-148	340-148	Fitting-Tee	1	
83	R353-989	353-989	Plug - Hex - Hollow	1	
84	R354-77	354-77	Fitting-Quick	1	
85	R33106-090	33106-090	Bolt - M12-1.75 x 90 Fl Hex HD Gr 8.8	4	
86	R33116-120	33116-120	Bolt - M12-1.75 x 120mm Hx HD	4	
87	R3256-26	01-166-0540, 01-166-0820, 17-2530, 24-13-BD, 30-8570, 3256-26, 356206, 48-9390	Washer - 1/2 in	8	
88	R340-94	340-94	Adapter	2	
89	R237-22	107-8844, 237-22, 237-78	O-Ring	9	
90	R340-15	340-15	Hydraulic Fitting - 90 Deg	1	
91	R100-5530	100-5530, 98-0657	Hydraulic Fitting - 45 Deg	1	
92	R340-156	340-156	Hydraulic Fitting	3	
93	R237-65	237-65, 237.65	O-Ring	4	

All original equipment manufacturers names and part numbers are used for identification purposes only, and we are in no way implying that our products are original equipment parts. Prices subject to change without notice.



Replaces Toro Groundsmaster 4010-D Parts

Rotary Mower - Model 30446
Planetary, Brake And Tire Assembly



Item No	R&R Part No.	OEM Part No.	Description	Qty Req	Order Quantity
94	R104-7501	104-7501	Hydraulic Fitting	1	
95	R340-142	340-142, 95-1692	Hydraulic Fitting - 90 Deg	1	
96	R340-8	340-8	Adapter	1	
97	R94-6031	94-6031	Hydraulic Fitting	2	
98	R354-79	354-79	Cap-Dust	2	
99	R104-0746-03	104-0746-03	Bracket - Manifold	1	
100	R400408	01-150-0090, 01-178-0812, 20-87-AD, 20-87-AGD, 20-87-AGF, 3226-2, 325-6, 513376, 513378	Bolt - Hex HD 1/2-13 x 1-1/2	8	
101	R32128-23	32128-23, 3218-23, 99-5107	Nut - Lock Hex Flanged 1/2-13	8	
102	R94-3088	94-3088	Spring - Compression	2	
103	R340-4	340-4	Hydraulic Fitting - Male Connector	2	
105	R115-8472	115-8472	Hydraulic Fitting - Tee	1	
106	R340-98	340-98	Hydraulic Fitting	3	
107	R340-77	340-100, 340-77, 95-7889	Hydraulic Fitting	1	
108	R92-7526	92-7526	Hydraulic Fitting - 90 Deg	1	
109	R99-3017	99-3017	Fitting	1	
110	R115-3768	115-3768	Hydraulic Fitting - 45 Deg	1	

All original equipment manufacturers names and part numbers are used for identification purposes only, and we are in no way implying that our products are original equipment parts. Prices subject to change without notice.



Replaces Toro Groundsmaster 4010-D Parts

*Rotary Mower - Model 30446
Planetary, Brake And Tire Assembly*



Item No	R&R Part No.	OEM Part No.	Description	Qty Req	Order Quantity
111	R323-42	01-178-0630, 323-42	Bolt - Hx HD 3/8-16 x 3 3/4	1	
112	R106-2009	106-2009	Hydraulic Fitting - Swivel	1	
113	R322-3	01-150-1420, 01-178-0506, 20-24-AD, 20-24-AGD, 322-3, 48-9270, 513339, 908017P	Bolt - Hex HD 5/16-18 x 3/4	2	
116	R59-7410	59-7410	Tip-Nipple	1	
117	R242-50	242-50	Nut - 1/2-20 Wheel	16	
118	R237-79	237-79	O-Ring	10	
119	R340-2	340-2, 60-1920	Hydraulic Fitting - Striaight	1	
120	R237-101	237-101	O-Ring	1	
121	R237-80	237-80, 327-80	O-Ring	1	
122	R340-101	340-101	Hydraulic Fitting	2	
123	R340-18	340-18	Hydraulic Fitting	2	
124	R340-16	100-8255, 340-16	Hydraulic Fitting	1	
125	R104-8301	104-8301, 104-9301, 109-6658, 133-7570	Locknut - 3/8-16 Nylon Flanged	1	
126	R119-5328	119-5328	Mount - Front Hyd Line	1	

All original equipment manufacturers names and part numbers are used for identification purposes only, and we are in no way implying that our products are original equipment parts. Prices subject to change without notice.