

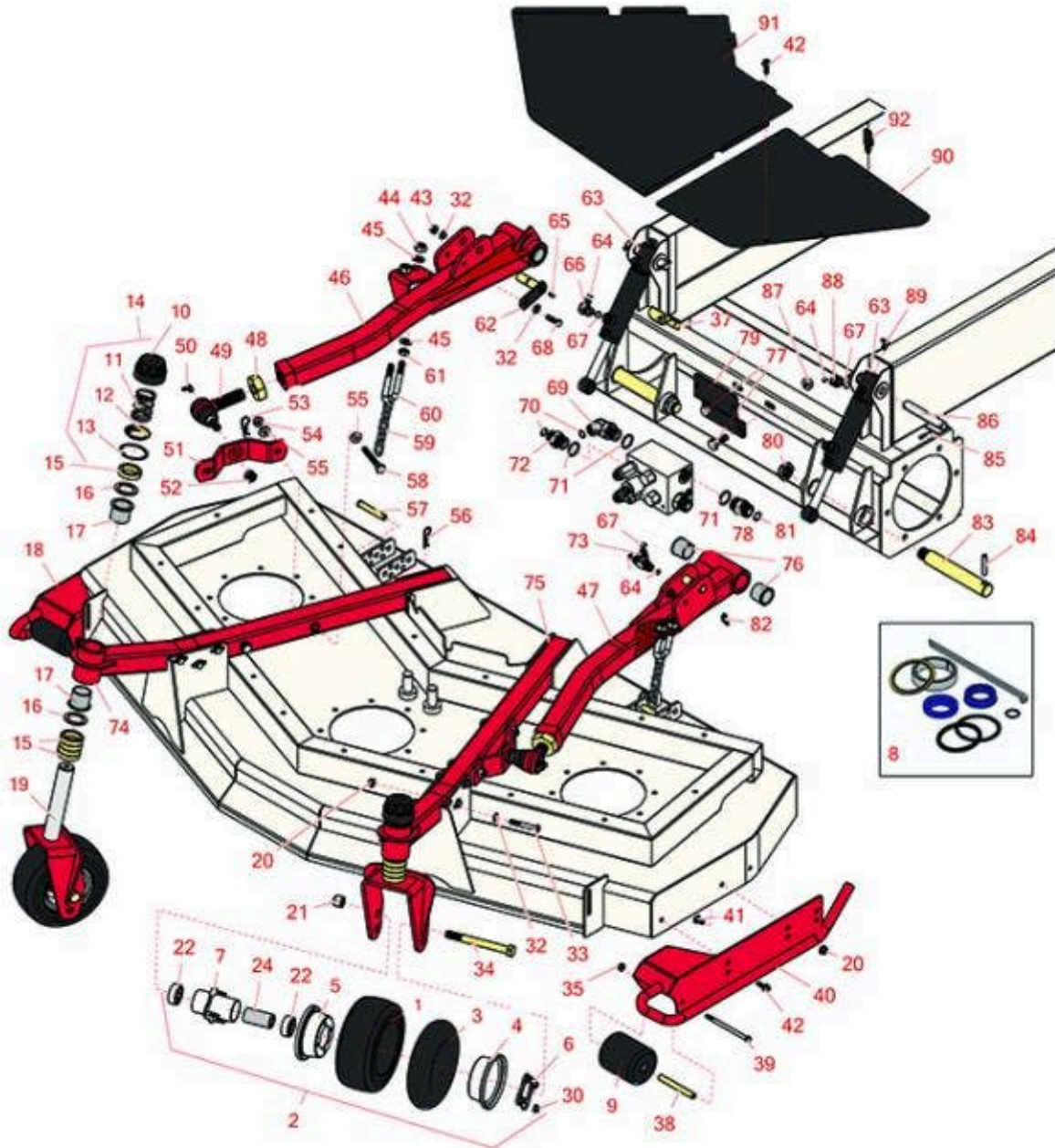
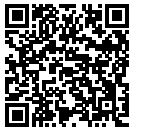


Replaces Toro Groundsmaster 4010-D

Parts

Rotary Mower - Model 30446

Front Deck Lift Arms



All original equipment manufacturers names and part numbers are used for identification purposes only, and we are in no way implying that our products are original equipment parts. Prices subject to change without notice.



Replaces Toro Groundsmaster 4010-D Parts

Rotary Mower - Model 30446
Front Deck Lift Arms



| Item No | R&R Part No. | OEM Part No. | Description | Qty Req | Order Quantity |
|--|------------------|--|---------------------------------------|---------|----------------|
| Tires | | | | | |
| 1 | R150615 | 136-4424, 137-5924 | Tire - Foam Filled 8-3.5 x 4 Sm 4 Ply | 2 | |
| 1 | R93-9939 | 93-9939, 98-2877 | Tire - 8x3.50-4 (4 Ply) Sm Pneu | 2 | |
| 2 | R137-5529 | 137-5529, 93-5974, 93-9574, `137-5529 | Wheel Assy - Foam Filled 8x3.5-4SM | 2 | |
| 2 | R93-9938 | 86-0020, 93-9938 | Wheel Assy - Castor - Pneu 8x3.50-4 | 2 | |
| 3 | R68-8950 | 68-8950 | Tube - Castor Wheel 9x3.50-4 TR87 | 2 | |
| 4 | R95-2741 | 137-5552, 95-2741 | Rim - Wheel Half w/o Valve Hole | 2 | |
| 5 | R93-4239 | 93-4239 | Rim - Wheel Half w/Valve Hole | 2 | |
| 6 | R93-4242 | 93-4242 | Plate - Caster Wheel | 2 | |
| 7 | R93-5980 | 93-4238, 93-5980 | Hub Assy - w/o Bearings/Spacer | 2 | |
| Overhaul Kits | | | | | |
| 8 | R107-0248 | 107-0248 | Seal Kit - Fits R107-4304 Cyl | 2 | |
| Rollers | | | | | |
| 9 | R93-4803 | 93-4803 | Roller - Deck | 2 | |
| <i>Tech Note: 30410/20412/30448-2010-2011:</i> | | | | | |
| Other Parts Available | | | | | |
| 10 | R92-8861 | 92-5582, 92-8861 | Cap - HOC | 2 | |
| 11 | R92-9726 | 92-9726 | Spring - Compression | 2 | |

All original equipment manufacturers names and part numbers are used for identification purposes only, and we are in no way implying that our products are original equipment parts. Prices subject to change without notice.



Replaces Toro Groundsmaster 4010-D Parts

Rotary Mower - Model 30446
Front Deck Lift Arms



| Item No | R&R Part No. | OEM Part No. | Description | Qty Req | Order Quantity |
|--|---------------------|---|--------------------------------|---------|----------------|
| 12 | R92-5583 | 92-5583 | Washer- Cap | 2 | |
| 13 | R92-5581 | 92-5581 | Ring - Retaining | 2 | |
| 14 | R92-9727 | 92-9727 | Cap Assy - HOC | 2 | |
| 15 | R69-1510 | 69-1510 | Spacer - 1/2 Caster Fork | 10 | |
| 16 | R69-6860 | 69-6860 | Washer - 1/8 - Caster Wheel | 4 | |
| 17 | R69-6470 | 69-6470 | Bushing - Flanged | 4 | |
| 18 | R100-5605-01 | 100-5605-01 | Skid Assy - RH | 1 | |
| <i>Tech Note: 30410/20412/30448-2010-2011:</i> | | | | | |
| 19 | R104-0762-01 | 104-0762-01 | Caster Fork | 2 | |
| 20 | R104-8301 | 104-8301, 104-9301, 109-6658, 133-7570 | Locknut - 3/8-16 Nylon Flanged | 10 | |
| 21 | R3296-53 | 3296-53 | Locknut - 5/8-11 ESNA Yellow | 2 | |
| 22 | R108-9017 | 108-9017, 120-3366 | Bearing-Stainless | 4 | |
| 24 | R93-4241 | 93-4241 | Spacer - Caster Wheel | 2 | |
| 30 | R32128-16 | 32128-16 | Locknut - 5/16-24 Flanged Top | 8 | |

All original equipment manufacturers names and part numbers are used for identification purposes only, and we are in no way implying that our products are original equipment parts. Prices subject to change without notice.



Replaces Toro Groundsmaster 4010-D Parts

Rotary Mower - Model 30446
Front Deck Lift Arms



| Item No | R&R Part No. | OEM Part No. | Description | Qty Req | Order Quantity |
|--|------------------|--|----------------------------------|---------|----------------|
| 32 | R453011 | 01-166-0100, 01-166-0120, 01-166-0270, 01-166-0500, 01-166-0600, 01-166-0620, 132-4593, 2356-3, 237-12, 24-10-AD, 24-11-AD, 24-11-BD, 24-12-AD, 24-12-BD, 30-9310, 32-8190, 3256-24, 3256-3, 3256-36, 3256-4, 453011, 47-9950, 48-9220, 513458, 7-0052 | Washer - Flat 3/8 SAE Y/Zinc | 10 | |
| 33 | R400274 | 01-178-0626, 112-7161, 3224-11, 400274 | Bolt - Hex HD 3/8-16 x 2-1/2 GR5 | 6 | |
| 34 | R327-24 | 327-24 | Bolt - Hex HD 5/8-11 x 6 | 2 | |
| 35 | R104-8300 | 104-8300, 104-8300 , 119-4041 | Locknut - 5/16-18 Flanged Y/Zinc | 3 | |
| <i>Tech Note: 30410/20412/30448-2010-2011:</i> | | | | | |
| 37 | R119-5311 | 119-5311 | Mount - Front Switch | 1 | |
| 38 | R105-4549 | 105-4549 | Spacer - Deck Roller | 2 | |
| <i>Tech Note: 30410/20412/30448-2010-2011:</i> | | | | | |
| 39 | R322-29 | 322-29 | Bolt - Hex HD 5/16-18 x 5 GR5 | 2 | |

All original equipment manufacturers names and part numbers are used for identification purposes only, and we are in no way implying that our products are original equipment parts. Prices subject to change without notice.



Replaces Toro Groundsmaster 4010-D Parts

Rotary Mower - Model 30446
Front Deck Lift Arms



| Item No | R&R Part No. | OEM Part No. | Description | Qty Req | Order Quantity |
|--|---------------------|---|-------------------------------|---------|----------------|
| <i>Tech Note: 30410/20412/30448-2010-2011:</i> | | | | | |
| 40 | R100-5612-01 | 100-5612-01 | Skid Assy - LH | 1 | |
| <i>Tech Note: 30410/20412/30448-2010-2011:</i> | | | | | |
| 41 | R3231-21 | 3231-21 | Screw - 3/8-16 x 3/4 Carriage | 2 | |
| <i>Tech Note: 30410/20412/30448-2010-2011:</i> | | | | | |
| 42 | R3234-42 | 3234-42 | Bolt - 3/8-16 x 1 Hx HD Fl | 3 | |
| <i>Tech Note: 30410/20412/30448-2010-2011:</i> | | | | | |
| 43 | R3296-39 | 32127-25, 32128-36, 3290-357, 3296-17, 3296-22, 3296-39, 915663P, 99-7443 | Locknut - 3/8-16 Nylon | 2 | |
| 44 | R3296-25 | 30-3380, 32127-21, 32127-31, 3290-160, 3290-33, 3296-13, 3296-25, 3296-45, 329645 | Locknut - 1/2-13 Heavy ESNA | 4 | |
| 45 | R3256-26 | 01-166-0540, 01-166-0820, 17-2530, 24-13-BD, 30-8570, 3256-26, 356206, 48-9390 | Washer - 1/2 in | 8 | |
| 46 | R100-3031 | 100-3031 | Lift Arm Assy - RH | 1 | |
| <i>Tech Note: 30410/20412/30448 only:</i> | | | | | |

All original equipment manufacturers names and part numbers are used for identification purposes only, and we are in no way implying that our products are original equipment parts. Prices subject to change without notice.



Replaces Toro Groundsmaster 4010-D Parts

Rotary Mower - Model 30446
Front Deck Lift Arms



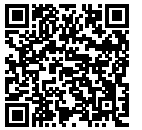
| Item No | R&R Part No. | OEM Part No. | Description | Qty Req | Order Quantity |
|--|--------------------|---|--------------------------------|---------|----------------|
| 46 | R120-8878 | 120-8878 | Lift Arm Assy - RH Center Deck | 1 | |
| <i>Tech Note: 30603/30605/30607/30609/30635/30605:</i> | | | | | |
| 47 | R100-3032 | 100-3032 | Lift Arm Assy - LH | 1 | |
| <i>Tech Note: 30410/20412/30448 only:</i> | | | | | |
| 47 | R120-8879 | 120-8879 | Lift Arm Assy - LH Center Deck | 1 | |
| <i>Tech Note: 30603/30605/30607/30609/30635/30605:</i> | | | | | |
| 48 | R21-3001 | 21-3001-03 | Nut- Jam 1-16 LH | 2 | |
| <i>Tech Note: 30410/30412:</i> | | | | | |
| 49 | R86-8101-01 | 21-0161, 86-8101, 86-8101-01, 86-8101-03 | Ball Joint | 2 | |
| 50 | R302-40 | 302-13, 302-40 | Fitting - Grease | 2 | |
| 51 | R93-4583-01 | 93-4583, 93-4583-01 | Mount - Ball Joint | 2 | |
| 52 | R32136-2 | 22-18-BJLD, 32136-2, 3221-5 | Nut - Slotted Hex HD | 2 | |
| 53 | R3272-12 | 01-151-0090, 28-19-D, 3272-12 | Pin - Cotter 1/8 x 1-1/4 | 2 | |
| 54 | R3296-48 | 119-4039, 32146-7, 3296-34, 3296-48 | Locknut - 7/16-14 ESNA | 4 | |
| 55 | R87-7480 | 87-7480 | Washer | 8 | |
| 56 | R3290-467 | 3290-467 | Pin-Hair | 2 | |

All original equipment manufacturers names and part numbers are used for identification purposes only, and we are in no way implying that our products are original equipment parts. Prices subject to change without notice.



Replaces Toro Groundsmaster 4010-D Parts

Rotary Mower - Model 30446
Front Deck Lift Arms



| Item No | R&R Part No. | OEM Part No. | Description | Qty Req | Order Quantity |
|--|------------------|--|-----------------------------------|---------|----------------|
| 57 | R283-55 | 283-55 | Clevis Pin - 1/2 x 3 | 2 | |
| 58 | R324-19 | 01-150-1000, 01-178-0728, 324-19 | Bolt - Hex HD 7/16-14 x 3 1/2 GR8 | 4 | |
| 59 | R95-6231 | 95-6231 | Chain - HOC | 2 | |
| 60 | R104-0108 | 104-0108 | U-Bolt | 2 | |
| 61 | R443118 | 01-188-0813, 22-15-AJD, 3217-9 | Nut - 1/2-13 Zinc | 4 | |
| 62 | R100-3020 | 100-3020 | Pin Assy | 2 | |
| 63 | R107-4304 | 100-3016, 107-4304 | Cylinder - Center Lift | 2 | |
| <i>Tech Note: 30410/20412/30448 only:</i> | | | | | |
| 63 | R120-8802 | 120-8802 | Hydraulic Cylinder | 2 | |
| <i>Tech Note: 30405/30409/30407/30635/30605:</i> | | | | | |
| 64 | R237-22 | 107-8844, 237-22, 237-78 | O-Ring | 6 | |
| 65 | R302-5 | 21-6010, 302-11, 302-37, 302-47, 302-5, 302-57, 302-58, 302-6, 31-0300, 32-9660, 60-0800, 62-3880, 92-4181 | Fitting - Grease | 4 | |

All original equipment manufacturers names and part numbers are used for identification purposes only, and we are in no way implying that our products are original equipment parts. Prices subject to change without notice.



Replaces Toro Groundsmaster 4010-D Parts

Rotary Mower - Model 30446
Front Deck Lift Arms



| Item No | R&R Part No. | OEM Part No. | Description | Qty Req | Order Quantity |
|---|------------------|---|--------------------------------------|---------|----------------|
| 66 | R340-77 | 340-100, 340-77, 95-7889 | Hydraulic Fitting | 1 | |
| <i>Tech Note: 30410/20412/30448 only:</i> | | | | | |
| 67 | R237-42 | 237-42, 31-4160 | O-Ring | 5 | |
| 68 | R400264 | 01-150-0180, 01-178-0610, 20-48-AD, 20-48-AGD, 32-9160, 3224-3, 323-29, 323-7, 400264, 908035P | Bolt - Hex HD 3/8-16 x 1-1/4 | 2 | |
| 69 | R340-156 | 340-156 | Hydraulic Fitting | 1 | |
| 70 | R237-65 | 237-65, 237.65 | O-Ring | 2 | |
| 71 | R237-81 | 237-81, 237.81, 327-81 | O-Ring | 3 | |
| 72 | R340-8 | 340-8 | Adapter | 1 | |
| 73 | R340-94 | 340-94 | Adapter | 1 | |
| 74 | R100-8091 | 100-8091 | Castor Arm Assy - RH | 1 | |
| <i>Tech Note: Ser# 310000001-313999999:</i> | | | | | |
| 74 | R127-3720 | 127-3720 | Castor Arm Assy - RH | 1 | |
| <i>Tech Note: Ser# 314000001-314999999:</i> | | | | | |
| 75 | R100-8092 | 100-8092 | Castor Arm Assy - LH - Incl Bushings | 1 | |
| <i>Tech Note: Ser# 310000001-313999999:</i> | | | | | |

All original equipment manufacturers names and part numbers are used for identification purposes only, and we are in no way implying that our products are original equipment parts. Prices subject to change without notice.



Replaces Toro Groundsmaster 4010-D Parts

Rotary Mower - Model 30446
Front Deck Lift Arms



| Item No | R&R Part No. | OEM Part No. | Description | Qty Req | Order Quantity |
|---|---------------------|---|--------------------------------------|---------|----------------|
| 75 | R127-3730 | 127-3730 | Castor Arm Assy - LH - Incl Bushings | 1 | |
| <i>Tech Note: Ser# 314000001-314999999:</i> | | | | | |
| 76 | R104-0015 | 104-0015, 104-8339 | Bushing - Flanged | 4 | |
| 77 | R400408 | 01-150-0090, 01-178-0812, 20-87-AD, 20-87-AGD, 20-87-AGF, 3226-2, 325-6, 513376, 513378 | Bolt - Hex HD 1/2-13 x 1-1/2 | 2 | |
| <i>Tech Note: 30410/20412/30448:</i> | | | | | |
| 78 | R340-9 | 340-9 | Fitting - Straight Connector | 1 | |
| 79 | R104-0746-03 | 104-0746-03 | Bracket - Manifold | 1 | |
| <i>Tech Note: 30410/20412/30448:</i> | | | | | |
| 80 | R3296-49 | 3296-49 | Locknut - 1 in 14 | 2 | |
| 81 | R237-58 | 237-58 | O-Ring | 1 | |
| 82 | R700414 | 302-11, 302-19, 302-4, 32-8170 | Zerk - Grease 1/4-28 45 Deg | 2 | |
| 83 | R100-3017 | 100-3017 | Pin - Lift Arm | 2 | |
| 84 | R32121-110 | 32121-110 | Roll Pin - Slotted | 2 | |
| 85 | R460050 | 01-151-0060, 3272-23, 460050 | Pin - Cotter 3/16 x 1-1/4 | 4 | |

Tech Note: 30410/20412/30448:

All original equipment manufacturers names and part numbers are used for identification purposes only, and we are in no way implying that our products are original equipment parts. Prices subject to change without notice.



Replaces Toro Groundsmaster 4010-D Parts

Rotary Mower - Model 30446
Front Deck Lift Arms



| Item No | R&R Part No. | OEM Part No. | Description | Qty Req | Order Quantity |
|--------------------------------------|---------------------|----------------------------------|-------------------------------|---------|----------------|
| 86 | R105-7456 | 100-5559, 105-7456 | Pin - Pivot | 2 | |
| <i>Tech Note: 30410/20412/30448:</i> | | | | | |
| 87 | R32128-23 | 32128-23, 3218-23, 99-5107 | Nut - Lock Hex Flanged 1/2-13 | 2 | |
| <i>Tech Note: 30410/20412/30448:</i> | | | | | |
| 88 | R340-2 | 340-2, 60-1920 | Hydraulic Fitting - Striaight | 3 | |
| <i>Tech Note: 30410/20412/30448:</i> | | | | | |
| 89 | R323016 | 302-33, 323016 | Zerk - Grease | 2 | |
| <i>Tech Note: 30410/20412/30448:</i> | | | | | |
| 90 | R100-5663-03 | 100-5663-03 | Cover - LH Front | 1 | |
| 91 | R100-5660-03 | 100-5660-03 | Cover - Center Front | 1 | |
| 92 | R74-5950 | 249-48, 74-5950 | Latch - Swell | 10 | |

All original equipment manufacturers names and part numbers are used for identification purposes only, and we are in no way implying that our products are original equipment parts. Prices subject to change without notice.