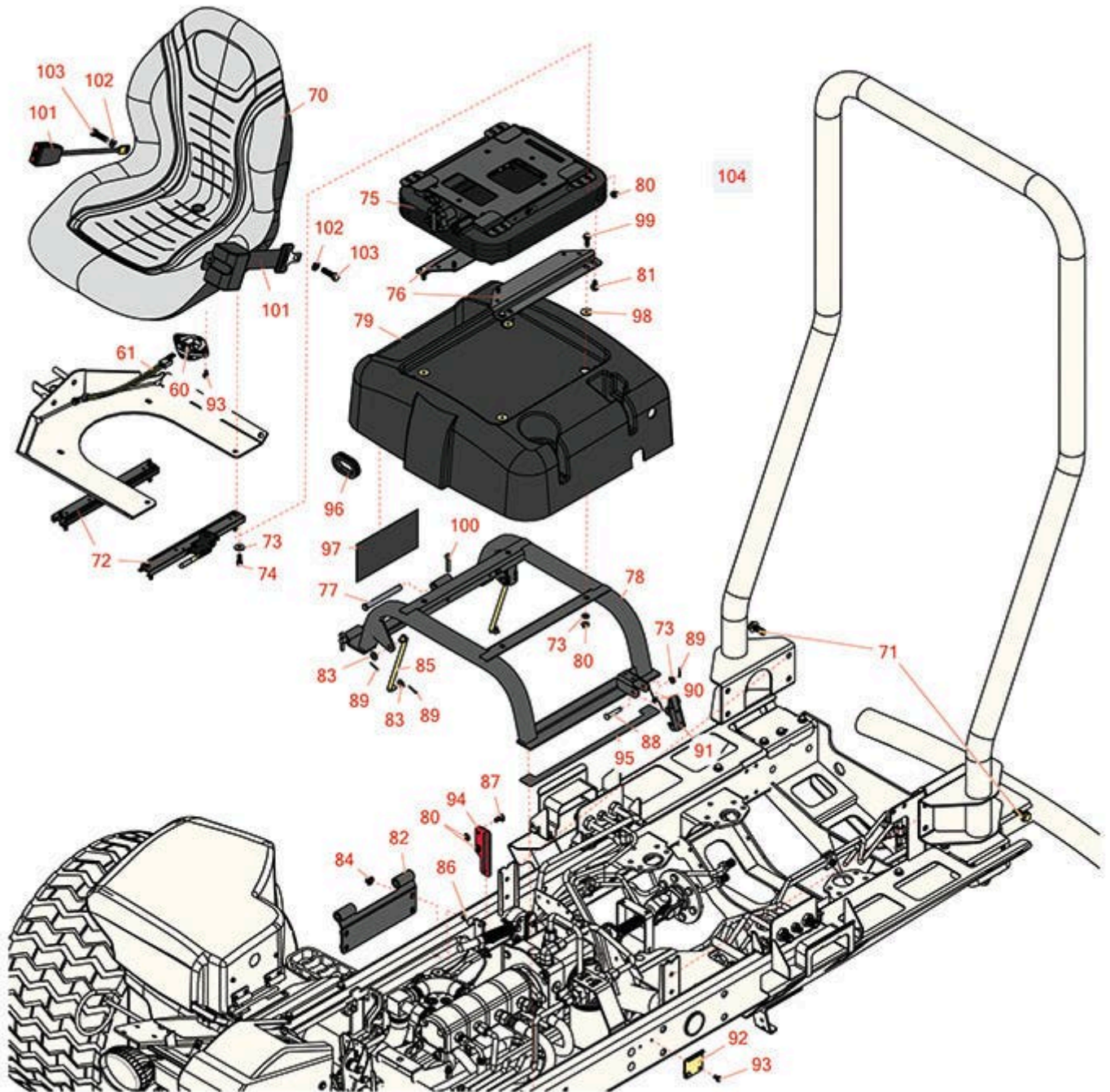




Replaces Toro Reelmaster 5410G Parts

Traction Unit - Models 03608 & 03673

Seat



All original equipment manufacturers names and part numbers are used for identification purposes only, and we are in no way implying that our products are original equipment parts. Prices subject to change without notice.



Replaces Toro Reelmaster 5410G Parts

Traction Unit - Models 03608 & 03673

Seat



Item No	R&R Part No.	OEM Part No.	Description	Qty Req	Order Quantity
Gauges and Controls					
60	R92-6282	62-6282, 92-6282	Switch - Kill - Seat	1	
61	R108-8657	108-8657	Harness-Wire, Seat	1	
Other Parts Available					
70	RMXB200GY	100-3187, 104-4620, 104-7620, 21-4880, 351-59, 351-76, 49-8130, 63-9410, 66-5400, 75-9190, 750105, 92-6280, MXB200GY	Milsco Seat XB200 - Grey	1	
<i>Tech Note: This seat will not accept seat belts:</i>					
71	R3234-38	3234-38	Bolt - Flanged Hex 1/2-13 x 1-1/4	2	
72	R150224	133-8896, 92-8990, 92-8990/92-8991, 92-8991	Adjusters - Seat (Set of 2)	1	
73	R453009	01-166-0400, 24-10-BD, 24-9-AD, 32-9650, 3256-2, 3256-23, 3256-3, 3256-67, 3290-217, 3556-3, 4-2390, 7-0152	Washer - Flat 5/16 SAE	9	
74	R434024	3274-12	Bolt - Soc HD Cap 5/16-18 x 3/4	4	

All original equipment manufacturers names and part numbers are used for identification purposes only, and we are in no way implying that our products are original equipment parts. Prices subject to change without notice.



Replaces Toro Reelmaster 5410G Parts

Traction Unit - Models 03608 & 03673

Seat



Item No	R&R Part No.	OEM Part No.	Description	Qty Req	Order Quantity
75	R110-8851	110-8851	Mechanical Suspension - Seat	1	
75	R108-1695	108-1695	Air Ride Suspension - Seat	1	
76	R108-6590-03	108-6590-03	Seat Bracket - Lower	2	
77	R283-83	283-83, 42194, 93-5343	Pin - Clevis	2	
78	R108-7577-03	108-7577-03	Seat Base Assy	1	
79	R108-1757	108-1757	Cover-Seat Base	1	
80	R104-8300	104-8300, 104-8300 , 119-4041	Locknut - 5/16-18 Flanged Y/Zinc	10	
81	R33114-016	33114-016, 42-9230, 42-9270, 48-7680, 48-7690, 48-7700	Bolt - Hx HD 8mm x 1.25 x 15	4	
82	R108-7582-03	108-7582-03	Pivot Plate Assy	1	

All original equipment manufacturers names and part numbers are used for identification purposes only, and we are in no way implying that our products are original equipment parts. Prices subject to change without notice.



Replaces Toro Reelmaster 5410G Parts

*Traction Unit - Models 03608 & 03673
Seat*



Item No	R&R Part No.	OEM Part No.	Description	Qty Req	Order Quantity
83	R453011	01-166-0100, 01-166-0120, 01-166-0270, 01-166-0500, 01-166-0600, 01-166-0620, 132-4593, 2356-3, 237-12, 24-10-AD, 24-11-AD, 24-11-BD, 24-12-AD, 24-12-BD, 30-9310, 32-8190, 3256-24, 3256-3, 3256-36, 3256-4, 453011, 47-9950, 48-9220, 513458, 7-0052	Washer - Flat 3/8 SAE Y/Zinc	4	
84	R104-8301	104-8301, 104-9301, 109-6658, 133-7570	Locknut - 3/8-16 Nylon Flanged	4	
85	R98-0917	98-0917	Rod-Prop	2	
86	R3231-27	3231-27	Bolt - Carriage 3/8-16 x 7/8	4	
87	R3230-1	01-173-0506, 3230-1, 3230-20, 900037P	Bolt - Carriage 5/16-18 x 3/4	2	
88	R94-3829	94-3829	Pin - Clevis	1	

All original equipment manufacturers names and part numbers are used for identification purposes only, and we are in no way implying that our products are original equipment parts. Prices subject to change without notice.



Replaces Toro Reelmaster 5410G Parts

Traction Unit - Models 03608 & 03673

Seat



Item No	R&R Part No.	OEM Part No.	Description	Qty Req	Order Quantity
89	R1023-4	01-151-0150, 1023-4, 19-6220, 214-14, 215-54, 28-9-D, 3272-4, 3272-6, 513567, 932008P	Pin - Cotter 3/32 x 3/4	1	
90	R104-4821	104-4821	Spring - Torsion - Seat Base	1	
91	R110-8971	110-8971	Latch	1	
92	R110-8972	110-8972	Hook-Latch	1	
93	R12-3270	12-3270, 30-0700, 32104-17, 9266714, Aug-80	Bolt - Hex Washer 1/4-20 x 1/2	2	
94	R108-7584-01	108-7584-01	Plate-Guide, Rod	1	
95	R110-5255	110-5255	Bumper - Base - Seat	2	
96	R240-12	240-12	Grommet	1	
97	R114-8891	110-0996, 114-8890, 114-8891	Decal- Reel Speed	1	
98	R366653	71-9310	Spacer	4	
99	R3234-29	3234-17, 3234-29	Bolt - 5/16-18x1 Serr Hex	4	
100	R3272-11	01-151-0010, 01-151-0040, 28-18-D, 28-28-D, 3211-72, 3272-11	Pin - Cotter	2	

All original equipment manufacturers names and part numbers are used for identification purposes only, and we are in no way implying that our products are original equipment parts. Prices subject to change without notice.



Replaces Toro Reelmaster 5410G Parts

Traction Unit - Models 03608 & 03673

Seat



Item No	R&R Part No.	OEM Part No.	Description	Qty Req	Order Quantity
101	R150848	100-4928, 110-0413, 110-9720, 95-8910	Belt-Seat	1	
102	R3253-6	01-166-0710, 23-12-GD, 3253-6, 59-7590	Washer - Lock 7/16 Zinc	2	
103	R3212-4	3212-3, 3212-4	Bolt - Hex HD 7/16-20 x 1 GR5	2	
104	R120-5179	120-5179	Large Seat Cover - Gray	1	

All original equipment manufacturers names and part numbers are used for identification purposes only, and we are in no way implying that our products are original equipment parts. Prices subject to change without notice.