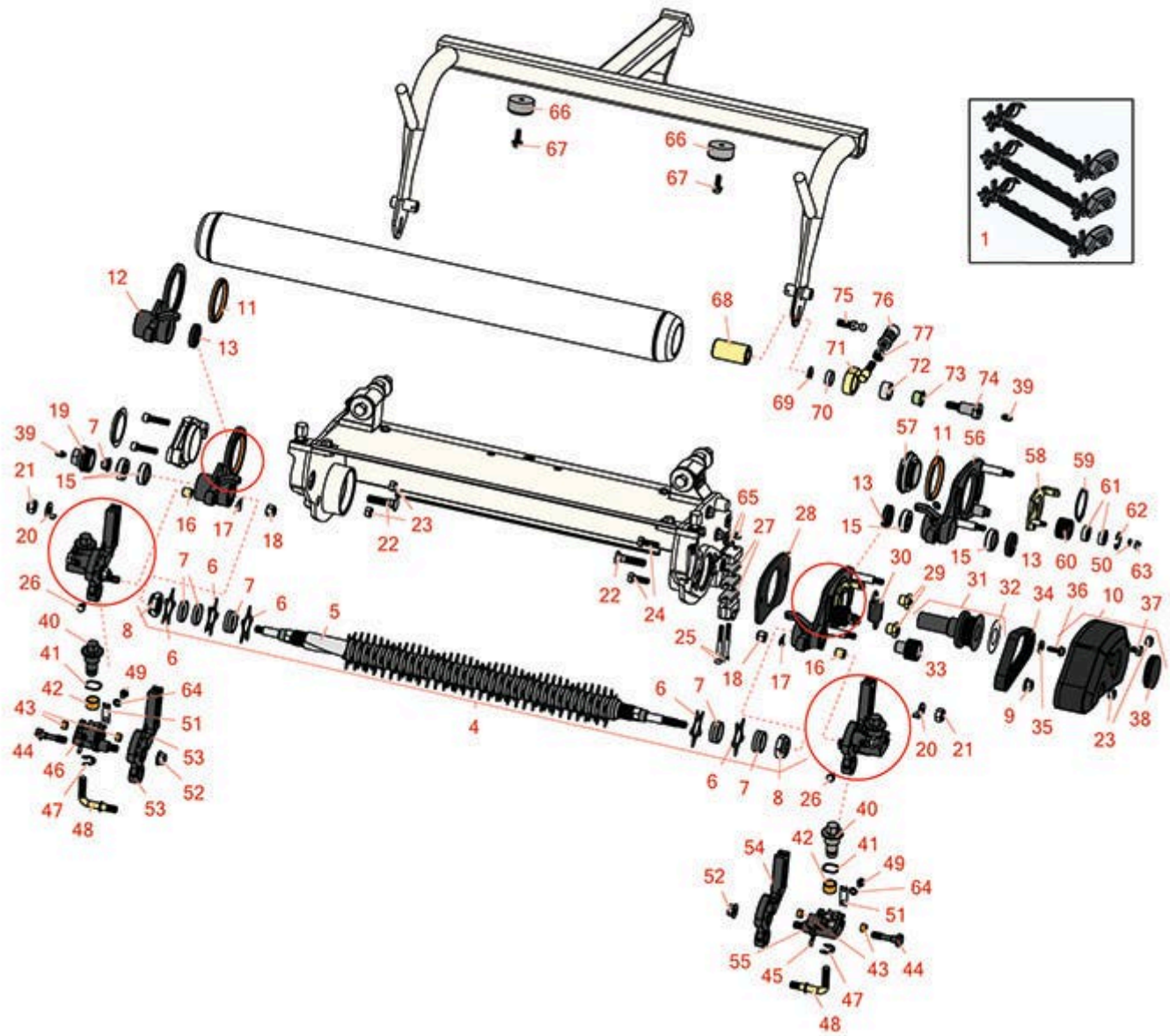




Replaces R&R Products Greens Max

2200D Parts

Dual Adjust Cutting Unit
Front Groomer



All original equipment manufacturers names and part numbers are used for identification purposes only, and we are in no way implying that our products are original equipment parts. Prices subject to change without notice.



Replaces R&R Products Greens Max

2200D Parts

Dual Adjust Cutting Unit
Front Groomer



| Item No | R&R Part No. | OEM Part No. | Description | Qty Req | Order Quantity |
|---------|--------------|--------------|-------------|---------|----------------|
|---------|--------------|--------------|-------------|---------|----------------|

Complete Groomer Kit

| | | | | | |
|---|---------------|-------------------|----------------------------------|---|--|
| 1 | R04634 | R04630, R04632 | Complete Groomer Assy - Set of 3 | 1 | |
|---|---------------|-------------------|----------------------------------|---|--|

Tech Note: Includes all parts needed for three cutting unit groomers.:

Other Parts Available

| | | | | | |
|---|------------------|--|--------------------|---|--|
| 4 | R117-1507 | | Grooming Reel Assy | 1 | |
|---|------------------|--|--------------------|---|--|

| | | | | | |
|---|------------------|--|----------------------|---|--|
| 5 | R115-1770 | | Shaft Assy - Groomer | 1 | |
|---|------------------|--|----------------------|---|--|

| | | | | | |
|---|------------------|--|----------------------------------|----|--|
| 6 | R110-2333 | | Groomer Blade - Helix .028 Thick | 42 | |
|---|------------------|--|----------------------------------|----|--|

| | | | | | |
|---|-----------------|--|---------------------------------|----|--|
| 7 | R70-1350 | | Spacer - 1/4 Fits Groomer Shaft | 86 | |
|---|-----------------|--|---------------------------------|----|--|

| | | | | | |
|---|------------------|----------|---------|---|--|
| 8 | R32127-46 | R3296-60 | Locknut | 2 | |
|---|------------------|----------|---------|---|--|

| | | | | | |
|---|------------------|-------------------------|--------------------------------|---|--|
| 9 | R104-8301 | R109-6658, R133-7570 | Locknut - 3/8-16 Nylon Flanged | 2 | |
|---|------------------|-------------------------|--------------------------------|---|--|

| | | | | | |
|----|------------------|--|---------------------|---|--|
| 10 | R106-8542 | | LH Drive Cover Assy | 1 | |
|----|------------------|--|---------------------|---|--|

| | | | | | |
|----|------------------|--|---------|---|--|
| 11 | R106-8527 | | Bushing | 2 | |
|----|------------------|--|---------|---|--|

| | | | | | |
|----|------------------|--|-----------------------|---|--|
| 12 | R115-3290 | | RH Support Plate Assy | 1 | |
|----|------------------|--|-----------------------|---|--|

Tech Note: Incl: R106-8527 bushing:

| | | | | | |
|----|------------------|--|------------|---|--|
| 13 | R106-8530 | | Seal - Oil | 3 | |
|----|------------------|--|------------|---|--|

| | | | | | |
|----|------------------|-----------|-------------------------|---|--|
| 15 | R107-8105 | R106-8520 | Bearing-Ball - Extended | 4 | |
|----|------------------|-----------|-------------------------|---|--|

| | | | | | |
|----|---------------|--|------------------------|---|--|
| 16 | R256-2 | | Bushing - Idler Pulley | 2 | |
|----|---------------|--|------------------------|---|--|

| | | | | | |
|----|------------------|--|----------------------|---|--|
| 17 | R3290-301 | | Washer - Spring Wave | 2 | |
|----|------------------|--|----------------------|---|--|

| | | | | | |
|----|----------------|--|----------------------------|---|--|
| 18 | R3296-5 | | Locknut - 3/8-24 Jam Nylon | 2 | |
|----|----------------|--|----------------------------|---|--|

| | | | | | |
|----|------------------|--|----------|---|--|
| 19 | R106-8529 | | Plug-Cap | 1 | |
|----|------------------|--|----------|---|--|

| | | | | | |
|----|------------------|--|----------------------|---|--|
| 20 | R115-3282 | | Washer - HOC Bracket | 2 | |
|----|------------------|--|----------------------|---|--|

All original equipment manufacturers names and part numbers are used for identification purposes only, and we are in no way implying that our products are original equipment parts. Prices subject to change without notice.



Replaces R&R Products Greens Max

2200D Parts

*Dual Adjust Cutting Unit
Front Groomer*



| Item No | R&R Part No. | OEM Part No. | Description | Qty Req | Order Quantity |
|---------|-------------------|--------------------------------------|--------------------------------|---------|----------------|
| 21 | R106-4668 | | Locknut - 10mm x 1.5 Top Lock | 2 | |
| 22 | R150647 | R105-5342 | Plow Bolt - HOC - Front Roller | 2 | |
| 23 | R33024-00 | | Locknut - 8mm x 1.25 | 2 | |
| 24 | R57-6380 | R33114-025, R48-9460, R60-4540 | Bolt - Hex HD M8-1.25 x 25 | 2 | |
| 25 | R117-1511 | | Bolt - Soc HD Cap | 4 | |
| 26 | R48-7610 | R33113-012 | Bolt - Hex HD Nyloc M6 x 12 | 2 | |
| 27 | R105-5711 | R119-4165 | Shim - Roller | 6 | |
| 28 | R106-8463 | | Shim-Groomer | 1 | |
| 29 | R105-5770 | | Nut - Shoulder | 2 | |
| 30 | R110-1700 | R66-4460 | Spring-Extension | 1 | |
| 31 | R106-8540 | | Pulley Assy | 1 | |
| 32 | R106-8521 | | Decal-Warning | 1 | |
| 33 | R115-5219 | | Pulley-Driven, Splined | 1 | |
| 34 | R104-4705 | R120-2763 | Belt - Groomer | 1 | |
| 35 | R105-5769 | | Washer | 1 | |
| 36 | R33103-020 | | Bolt - Hex Washer M6-1.0 x 20 | 1 | |
| 37 | R33114-010 | | Bolt - Hex HD M8-1.25 x 10 | 1 | |
| 38 | R105-5761 | | Grommet | 1 | |

All original equipment manufacturers names and part numbers are used for identification purposes only, and we are in no way implying that our products are original equipment parts. Prices subject to change without notice.



Replaces R&R Products Greens Max

2200D Parts

Dual Adjust Cutting Unit
Front Groomer



| Item No | R&R Part No. | OEM Part No. | Description | Qty Req | Order Quantity |
|---------|-------------------|--|--------------------------|---------|----------------|
| 39 | R302-5 | R173-0, R21-6010, R255825, R302-37, R302-47, R302-57, R302-58, R302-6, R31-0300, R32-9660, R471214, R471223, R471226, R60-0800, R62-3880, R92-4181, RJD7797, RJD7842, RJD7844, RM0004 | Fitting - Grease | 4 | |
| 40 | R106-8482 | | Adjuster-Groomer | 2 | |
| 41 | R107-8107 | R106-8490 | Washer - Wave | 2 | |
| 42 | R256-42 | | Bushing | 2 | |
| 43 | R106-8489 | | Bushing-Sleeve | 4 | |
| 44 | R106-8528 | | Screw - Lock | 2 | |
| 45 | R104-9312 | | Pin - Grooved | 2 | |
| 46 | R106-8535 | | RH Lift Arm Assy | 1 | |
| 47 | R32120-19 | R32120-81 | E-Ring | 2 | |
| 48 | R115-3291 | | Rod - Lift - Groomer | 2 | |
| 49 | R33113-008 | | Bolt - Hex HD M6-1.0 x 8 | 2 | |
| 50 | R43-5930 | R01-176-0030 | Washer - Lock M6 | 1 | |
| 51 | R104-4754 | | Spring-Detent | 2 | |

All original equipment manufacturers names and part numbers are used for identification purposes only, and we are in no way implying that our products are original equipment parts. Prices subject to change without notice.



Replaces R&R Products Greens Max

2200D Parts

Dual Adjust Cutting Unit
Front Groomer



| Item No | R&R Part No. | OEM Part No. | Description | Qty Req | Order Quantity |
|---|------------------|---------------------------------------|--------------------------------|---------|----------------|
| 52 | R14M7296 | R104-2611 | Nut - 10mm x 1.5 Flanged | 2 | |
| 53 | R115-3286 | | Arm-Groomer, HOC (RH) | 1 | |
| 54 | R114-4646 | | Arm-Groomer, HOC (LH) | 1 | |
| 55 | R106-8536 | | LH Lift Arm Assy | 1 | |
| <i>Tech Note: Incl: R106-8489 and R256-42 bushings:</i> | | | | | |
| 56 | R114-4650 | | Drive Side Plate - LH | 1 | |
| 57 | R106-8471 | | Hub-Pivot | 1 | |
| 58 | R106-8470 | | LH Idler Assy | 1 | |
| 59 | R106-2646 | | Ring - Retaining, Bo | 1 | |
| 60 | R106-2630 | | Idler Bearing Assy | 1 | |
| 61 | R251-259 | R251-307 | Bearing - Ball | 2 | |
| 62 | R104-4727 | | Ring - Retaining | 1 | |
| 63 | R33023-00 | R48-7900, R49-7810 | Locknut - ESNA 6mm x 1.0 | 1 | |
| 64 | R24M7139 | | Washer - Flat 6mm | 1 | |
| 65 | R33003-00 | R65-7980 | Hex Nut - Flanged 6-1.0mm | 4 | |
| 66 | R94-4548 | | Rubber Bumper | 2 | |
| 67 | R49-2040 | R32104-42, R32104-95, R32144-44 | Bolt - Hex Washer 1/4-20 x 3/4 | 2 | |
| 68 | R88-6830 | | Spacer - Carrier Frame | 2 | |

All original equipment manufacturers names and part numbers are used for identification purposes only, and we are in no way implying that our products are original equipment parts. Prices subject to change without notice.



Replaces R&R Products Greens Max

2200D Parts

Dual Adjust Cutting Unit
Front Groomer



| Item No | R&R Part No. | OEM Part No. | Description | Qty Req | Order Quantity |
|---------|------------------|---|------------------------------|---------|----------------|
| 69 | R453011 | 3256-24, 453011, R01-166-0100, R01-166-0120, R01-166-0270, R01-166-0500, R01-166-0600, R01-166-0620, R132-4593, R237-12, R24-10-AD, R24-11-AD, R24-11-BD, R24-12-AD, R24-12-BD, R30-9310, R32-8190, R3256-24, R3256-3, R3256-36, R3256-4, R47-9950 | Washer - Flat 3/8 SAE Y/Zinc | 2 | |
| 70 | R98-2389 | | Spacer-Link, Pull | 2 | |
| 71 | R100-6440 | R17-2889, R94-9632, R95-2901 | Pull Link - w/Bushing | 2 | |
| 72 | R95-0532 | | Bushing - Pull Link | 1 | |
| 73 | R256-292 | R104-7738 | Bushing - Nyliner Bed Bar | 2 | |
| 74 | R98-1483 | | Screw - Link Pull | 2 | |
| 75 | R94-2958 | R2411-7 | Stud - Alloy Ball Joint | 2 | |
| 76 | R99-1460 | R2411-28, R2411-29, R2411-30, R2411-6, R2411-8, R8-7710, R94-2959 | Receiver - Ball Joint | 2 | |

All original equipment manufacturers names and part numbers are used for identification purposes only, and we are in no way implying that our products are original equipment parts. Prices subject to change without notice.



Replaces R&R Products Greens Max

2200D Parts

*Dual Adjust Cutting Unit
Front Groomer*



| Item No | R&R Part No. | OEM Part No. | Description | Qty Req | Order Quantity |
|---------|--------------|----------------------------|----------------------|---------|----------------|
| 77 | R3220-3 | R01-191-0624, R3290-149 | Nut - Jam Ball Joint | 2 | |

All original equipment manufacturers names and part numbers are used for identification purposes only, and we are in no way implying that our products are original equipment parts. Prices subject to change without notice.