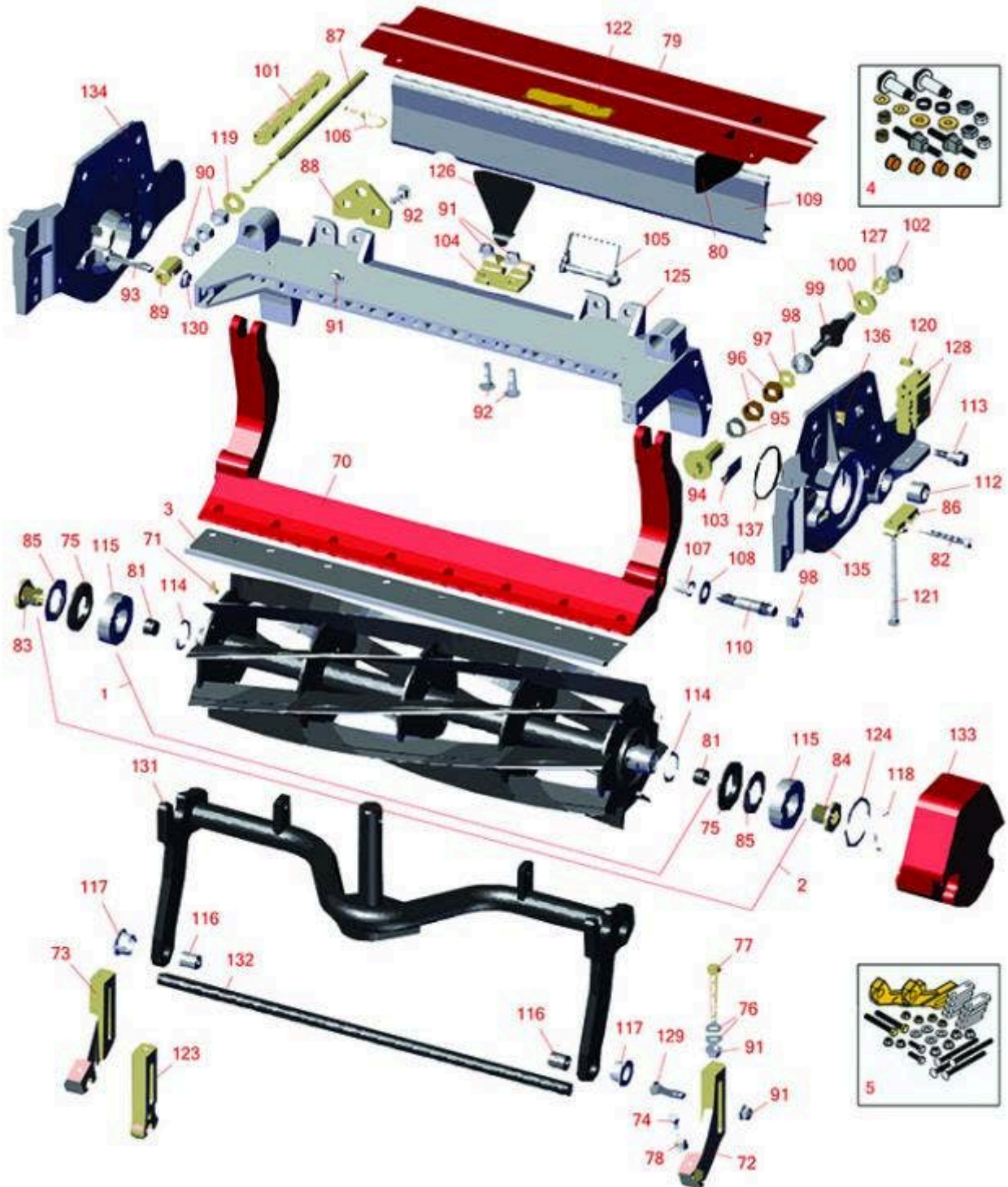




# Replaces Toro Reelmaster 5510-G Parts

DPA Cutting Unit - Models 03638, 03639, 03641 & 03643  
Reel & Bedknife



All original equipment manufacturers names and part numbers are used for identification purposes only, and we are in no way implying that our products are original equipment parts. Prices subject to change without notice.



# Replaces Toro Reelmaster 5510-G Parts

DPA Cutting Unit - Models 03638, 03639, 03641 & 03643  
Reel & Bedknife



Item No	R&R Part No.	OEM Part No.	Description	Qty Req	Order Quantity
<b>R&amp;R Razor Reels, Lifetime Guaranteed</b>					
1	<b>R133-8205</b>	133-8205	Reel - 5 Blade Razor Series Radial Low Drag 22x7	1	
<i>Tech Note: Special high alloy premium steel reel blades &amp; use only with alum endplates:</i>					
1	<b>R131-6809</b>	131-6809	Reel - 8 Blade Razor Series Forward Swept 22x7	1	
1	<b>R131-6801</b>	131-6801	Reel - 11 Blade Razor Series Forward Swept Low Drag 22x7	1	
<i>Tech Note: Special high alloy premium steel reel blades &amp; use only with alum endplates:</i>					
2	<b>R137-8444</b>	137-8444	Reel - 5 Blade Razor Series Radial Low Drag w/Bearings and Seals 22x7	1	
<i>Tech Note: Special high alloy premium steel reel blades &amp; use only with alum endplates:</i>					
2	<b>R131-6805</b>	131-6805	Reel - 8 Blade Razor Series Radial Low Drag w/Bearings and Seals 22x7	1	
<i>Tech Note: Special high alloy premium steel reel blades &amp; use only with alum endplates:</i>					
2	<b>R137-8445</b>	137-8445	Reel - 8 Blade Razor Series Radial Low Drag w/Bearings and Seals 22x7	1	
<i>Tech Note: Special high alloy premium steel reel blades &amp; use only with alum endplates:</i>					
2	<b>R137-8446</b>	137-8446	Reel - 8 Blade Razor Series Forward Swept Low Drag w/Bearings and Seals 22x7	1	
<i>Tech Note: Special high alloy premium steel reel blades &amp; use only with alum endplates:</i>					
2	<b>R137-8447</b>	137-8447	Reel - 11 Blade Razor Series Forward Swept Low Drag w/Bearings and Seals 22x7	1	
<i>Tech Note: Special high alloy premium steel reel blades &amp; use only with alum endplates:</i>					

## R&R Bedknives, Lifetime Guaranteed

All original equipment manufacturers names and part numbers are used for identification purposes only, and we are in no way implying that our products are original equipment parts. Prices subject to change without notice.



# Replaces Toro Reelmaster 5510-G Parts

DPA Cutting Unit - Models 03638, 03639, 03641 & 03643  
Reel & Bedknife



Item No	R&R Part No.	OEM Part No.	Description	Qty Req	Order Quantity
4	<b>R110-4074</b>	110-4074	Bedknife - High Cut	1	
4	<b>R108-9096</b>	108-9096	Bedknife - Standard	1	
4	<b>R110-4084</b>	110-4084	Bedknife - Low Cut	1	
4	<b>R120-1640</b>	120-1640	Bedknife - Low Cut Extended	1	

## R&R Razor Tool Steel Bedknives, Lifetime Guaranteed

4	<b>R108-9095</b>	108-9095, 137-0833	Bedknife - Razor Tool Steel - 22 High Cut	1	
4	<b>R119-4280</b>	119-4280	Bedknife - Razor Tool Steel - 22 x 3/8 Extended	1	
4	<b>R137-0832</b>	125-2771, 127-7132, 137-0832	Bedknife - Razor Tool Steel 3/8 x 22 Lowcut	0	

## Overhaul Kits

5	<b>R120-7230</b>	120-7230	Overhaul Kit - Fits DPA Units	1	
<i>Tech Note: Incl 2 ea.: R108-0015, R115-7039, R119-4155, R120-5116, R120-5118, R120-5120, R3296-33, R3296-48 &amp; 4 ea: R106-5344:</i>					
6	<b>R110-9600</b>	110-9600	High HOC Kit	1	
<i>Tech Note: Includes 1 ea.: R120-0404, R120-0405 &amp; 2 ea: R112-7451, R322-16, R445722 &amp; 4 ea.: R106-9758, R104-8300, R453011, R104-8301 &amp; 8 ea: R106-3925:</i>					

## Other Parts Available

70	<b>R107-3273-01</b>	107-3273-01	Bed Bar - Fits OEM Units Only	1	
71	<b>R119-4151</b>	119-4151	Screw - Bedknife 5/16-18 x 17/32	8	
72	<b>R120-0404</b>	120-0404	Bracket- High HOC - LH	1	
<i>Tech Note: Fits 2011 &amp; Newer:</i>					
73	<b>R120-0405</b>	120-0405	Bracket - High HOC - RH	1	

All original equipment manufacturers names and part numbers are used for identification purposes only, and we are in no way implying that our products are original equipment parts. Prices subject to change without notice.



# Replaces Toro Reelmaster 5510-G Parts

DPA Cutting Unit - Models 03638, 03639, 03641 & 03643  
Reel & Bedknife



Item No	R&R Part No.	OEM Part No.	Description	Qty Req	Order Quantity
<i>Tech Note: Fits 2011 &amp; Newer:</i>					
74	<b>R322-16</b>	322-16, Apr-00	Bolt - Hex HD 5/16-18 x 1-1/8	2	
75	<b>R127-4284</b>	127-4284	Washer - Special	2	
76	<b>R453011</b>	01-166-0100, 01-166-0120, 01-166-0270, 01-166-0500, 01-166-0600, 01-166-0620, 132-4593, 2356-3, 237-12, 24-10-AD, 24-11-AD, 24-11-BD, 24-12-AD, 24-12-BD, 30-9310, 32-8190, 3256-24, 3256-3, 3256-36, 3256-4, 453011, 47-9950, 48-9220, 513458, 7-0052	Washer - Flat 3/8 SAE Y/Zinc	4	
77	<b>R112-7451</b>	100-9429, 112-7451	Bolt - Hex Tap 3/8-16 x 2-3/4	2	
78	<b>R445722</b>	30-8980, 32128-2, 32128-20, 32128-20 , 445722	Nut - Serrated Washer	2	
79	<b>R107-2996</b>	107-2996	Grass Shield - Front	1	
80	<b>R110-1706</b>	110-1706	Deflector	5	

All original equipment manufacturers names and part numbers are used for identification purposes only, and we are in no way implying that our products are original equipment parts. Prices subject to change without notice.



# Replaces Toro Reelmaster 5510-G Parts

DPA Cutting Unit - Models 03638, 03639, 03641 & 03643  
Reel & Bedknife



Item No	R&R Part No.	OEM Part No.	Description	Qty Req	Order Quantity
81	<b>R151064</b>		Plug - Rubber - Fits R&R Reel Shaft Only	2	
82	<b>R107-7773</b>	107-7773	Bolt - Soc HD Cap 5/16-18 x 2-1/2	1	
83	<b>R127-7109</b>	127-7109	Insert-Threaded - 7 in Reel (RH)	1	
84	<b>R127-7111</b>	127-7111	Insert-Threaded - 7 in Reel (LH)	1	
85	<b>R115-3299</b>	115-3299	Seal- Flocked	2	
86	<b>R106-3924</b>	106-3924	Bracket - Rear Roller	2	
87	<b>R115-2007</b>	107-7437, 115-2007	Rod - Spring	1	
88	<b>R110-4069</b>	110-4069	Bracket	1	
89	<b>R99-8662</b>	99-8662	Tube - Spring	1	
90	<b>R443818</b>	01-191-0813, 3218-18, 3218-5, 3248-18	Nut - 1/2-13 Hex Jam Zinc	3	
91	<b>R104-8301</b>	104-8301, 104-9301, 109-6658, 133-7570	Locknut - 3/8-16 Nylon Flanged	8	
92	<b>R3231-25</b>	01-173-0610, 30-9970, 3231-25, 3231-3, 900064P	Bolt - Carriage 3/8-16 x 1-1/4	4	
93	<b>R104-3396</b>	104-3396	Bolt - Hex HD 3/8-16 x 2-1/4	1	
94	<b>R120-5118</b>	120-5118	Shaft - Adjuster	2	
<i>Tech Note: 2012 &amp; Newer:</i>					
95	<b>R120-5116</b>	120-5116	Washer - Wave	2	

All original equipment manufacturers names and part numbers are used for identification purposes only, and we are in no way implying that our products are original equipment parts. Prices subject to change without notice.



# Replaces Toro Reelmaster 5510-G Parts

DPA Cutting Unit - Models 03638, 03639, 03641 & 03643  
Reel & Bedknife



Item No	R&R Part No.	OEM Part No.	Description	Qty Req	Order Quantity
96	<b>R106-5344</b>	106-5344	Bushing - Flanged and Keyed	4	
97	<b>R108-0015</b>	108-0015	Washer - Flat	2	
98	<b>R3296-33</b>	3296-33	Locknut - 5/8-18 ESNA Jam	4	
99	<b>R115-7039</b>	115-7039	Screw - Adjuster - Bedbar	2	
<b>Ser# 400000000-405699999</b>					
99	<b>R137-6130</b>	137-6130	Screw - Adjuster - Hardened - Bedbar	2	
<b>Ser# 405700000-410499999</b>					
100	<b>R119-4155</b>	119-4155	Washer - Hardened	2	
101	<b>R110-4079</b>	110-4079	Spring	1	
102	<b>R3296-48</b>	119-4039, 32146-7, 3296-34, 3296-48	Locknut - 7/16-14 ESNA	2	
103	<b>R99-2097</b>	99-2097	Detent - Bed Bar Adjuster	2	
104	<b>R110-4058</b>	110-4058	Bracket - Chain	1	
105	<b>R107-7400</b>	107-7400	Pin - Lynch	1	
106	<b>R92-2762</b>	92-2762	Pin - Snap	1	
107	<b>R56-9520</b>	56-9520	Bushing - Nylon	2	
108	<b>R61-1950</b>	61-1950	Washer - Nylon - Bed Bar	4	
109	<b>R125-1978</b>	125-1978	Grass Shield - Rear	1	
110	<b>R106-9623</b>	106-9623	Bolt - Bedbar	2	
112	<b>R106-9618</b>	106-9618	Bushing - Rubber	2	
113	<b>R107-2979</b>	107-2979	Bolt - Shoulder	4	

All original equipment manufacturers names and part numbers are used for identification purposes only, and we are in no way implying that our products are original equipment parts. Prices subject to change without notice.



# Replaces Toro Reelmaster 5510-G Parts

DPA Cutting Unit - Models 03638, 03639, 03641 & 03643  
Reel & Bedknife



Item No	R&R Part No.	OEM Part No.	Description	Qty Req	Order Quantity
114	<b>R92-2601</b>	92-2601	Snap Ring	2	
115	<b>R115-3296</b>	115-3296	Bearing	2	
<b>Ser# 400000000-410499999</b>					
115	<b>R140-5510</b>	140-5510	Bearing - Sealed Stainless	2	
<b>Ser# 407900000-410499999</b>					
116	<b>R108-4279</b>	108-4279	Spacer - Frame	2	
117	<b>R93-2877</b>	93-2877	Bushing - Flanged	2	
118	<b>R237-68</b>	237-68	O-Ring	2	
119	<b>R87-7270-01</b>	87-7270, 87-7270-01	Washer - Flat 1/2	1	
120	<b>R104-8300</b>	104-8300, 104-8300 , 119-4041	Locknut - 5/16-18 Flanged Y/Zinc	4	
121	<b>R3230-30</b>	3230-30	Bolt - Carriage 5/16x4 1/2	4	
122	<b>R93-6688</b>	93-6688	Decal - Warning	1	
123	<b>R125-2796</b>	125-2796	Bracket- Front HOC	2	
<i>Tech Note: Fits 2013 &amp; Newer:</i>					
124	<b>R105-5700</b>	105-5700, 115-5258	Wave Washer - Bearing	2	
125	<b>R107-3258</b>	107-3258	Frame	1	
126	<b>R110-4088-03</b>	110-4088-03, 119-8010-03	Kickstand	1	
127	<b>R120-5120</b>	120-5120	Spring - Compression	2	
128	<b>R119-0626</b>	119-0626	Shim - Roller - 1/4 in - Slotted	8	

All original equipment manufacturers names and part numbers are used for identification purposes only, and we are in no way implying that our products are original equipment parts. Prices subject to change without notice.



## Replaces Toro Reelmaster 5510-G Parts

*DPA Cutting Unit - Models 03638, 03639, 03641 & 03643  
Reel & Bedknife*



Item No	R&R Part No.	OEM Part No.	Description	Qty Req	Order Quantity
129	<b>R3231-4</b>	01-157-0440, 01-173-0612, 3231-4	Bolt - Carriage 3/8-16 x 1-1/2	2	
130	<b>R32128-43</b>	30-8990, 32128-43, 3290-357	Nut - Flanged Whiz - 3/8-16	2	
131	<b>R107-7433</b>	107-7433	Carrier Frame Assy	1	
132	<b>R108-4284</b>	108-4284	Shaft - Support	1	
133	<b>R108-4269-01</b>	108-4269-01	Weight	1	
134	<b>R137-5967</b>	137-5967	Side Plate Assy - 7 in RH Aluminum	1	
135	<b>R137-5963</b>	137-5963, 137-5967	Side Plate Assy - 7 in LH Aluminum	1	
136	<b>R170714</b>	302-34, 302-39, 62-3520	Fitting - Pressure Relief	2	
137	<b>R117-8177</b>	117-8177	O-Ring	2	

All original equipment manufacturers names and part numbers are used for identification purposes only, and we are in no way implying that our products are original equipment parts. Prices subject to change without notice.