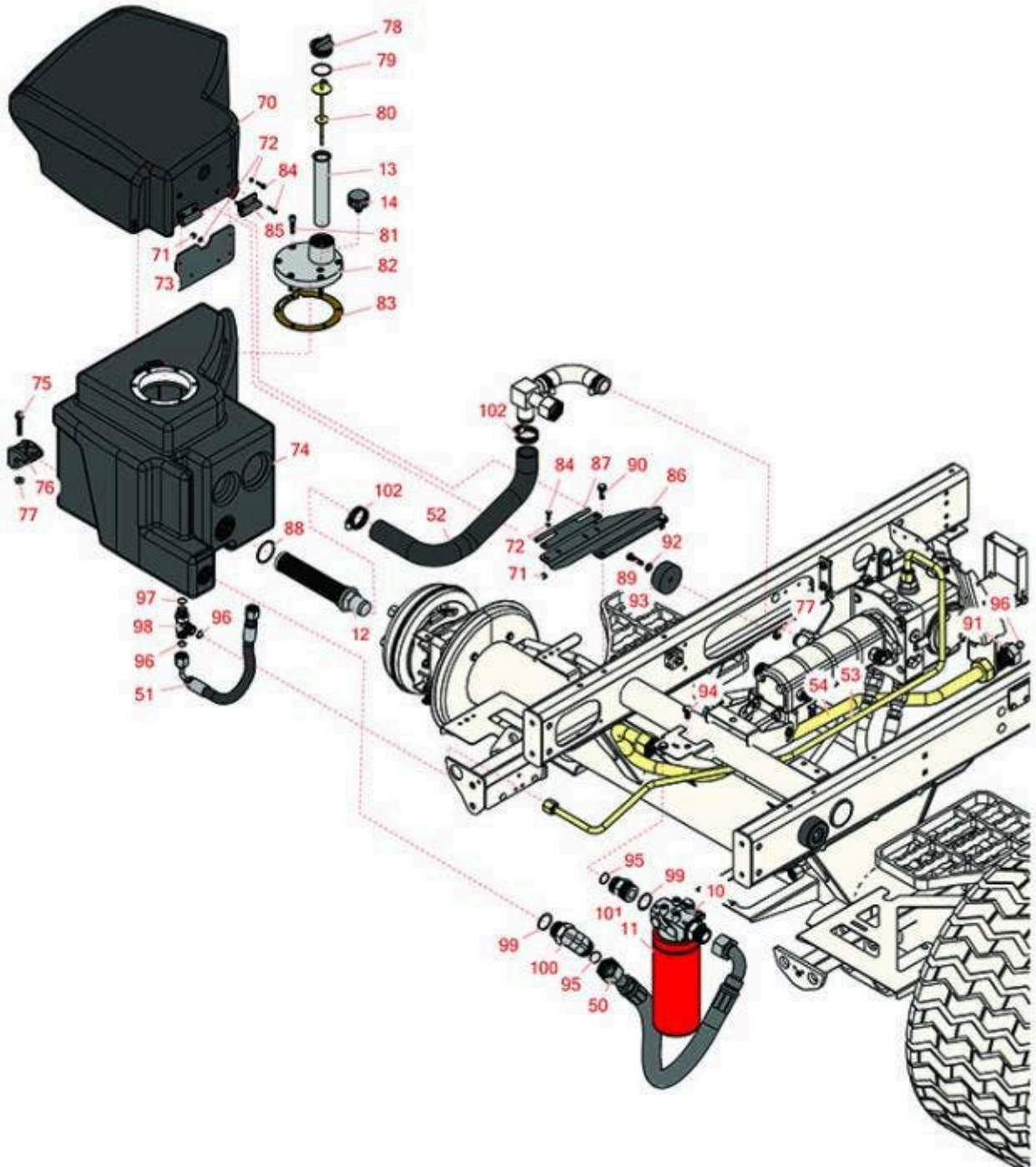




# Replaces Toro Reelmaster 5510-D Parts

Traction Unit - Models 03607, 03676, 03680  
Hydraulic Tank



All original equipment manufacturers names and part numbers are used for identification purposes only, and we are in no way implying that our products are original equipment parts. Prices subject to change without notice.



# Replaces Toro Reelmaster 5510-D Parts

Traction Unit - Models 03607, 03676, 03680

Hydraulic Tank



Item No	R&R Part No.	OEM Part No.	Description	Qty Req	Order Quantity
<b>Filters</b>					
10	<b>R104-0080</b>	104-0080	Filter Head Assy w/Filter	1	
10	<b>R92-5821</b>	86-3000, 92-5821	Filter - Head	1	
11	<b>R94-2621</b>	94-2621	Baldwin Oil Filter - Hyd	1	
11	<b>RRF10621</b>		SilverGuard Oil Filter - Hyd	1	
12	<b>R105-0131</b>	105-0131	Strainer-Tank - Oil	1	
13	<b>R61-2790</b>	61-2790	Screen - Filler - Hyd Oil	1	
14	<b>R68-6150</b>	58-9070, 68-6150	Breather	1	
<b>Hoses</b>					
50	<b>R108-1689</b>	108-1689	Hydraulic Hose Assy	1	
51	<b>R108-8428</b>	108-8428	Hydraulic Hose Assy	1	
51	<b>R66-8490</b>	66-8490	Hydraulic Hose Assy	1	
52	<b>R108-1685</b>	108-1685	Hose - Formed	1	
53	<b>R110-8915</b>	108-8915, 110-8915	Hydraulic Tube Assy	1	
54	<b>R108-1699</b>	108-1699	Tube Assy	1	
<b>Other Parts Available</b>					
70	<b>R107-4545</b>	107-4545	Cover-Tank	1	
71	<b>R3296-2</b>	32127-10, 3296-2, 9157404	Nut - #10 Lock	8	

All original equipment manufacturers names and part numbers are used for identification purposes only, and we are in no way implying that our products are original equipment parts. Prices subject to change without notice.



# Replaces Toro Reelmaster 5510-D Parts

*Traction Unit - Models 03607, 03676, 03680*

*Hydraulic Tank*



Item No	R&R Part No.	OEM Part No.	Description	Qty Req	Order Quantity
72	<b>R3256-14</b>	24-7-BD, 32125-2, 3256-14, 3256-51, 51-2170	Washer - 10 Flat	8	
73	<b>R108-1607-03</b>	108-1607-03	Plate-Hinge	1	
74	<b>R107-4513</b>	107-4513	Tank-Oil	1	
75	<b>R94-5780</b>	94-5780	Bolt - 5/16-18 x 1 3/4 Hx Fl	2	
76	<b>R107-4543</b>	107-4543	Clamp	2	
77	<b>R104-8300</b>	104-8300, 104-8300 , 119-4041	Locknut - 5/16-18 Flanged Y/Zinc	3	
78	<b>R93-7498</b>	93-7498	Plug-Oil	1	
79	<b>R237-101</b>	237-101	O-Ring	1	
80	<b>R94-9411</b>	94-9411	Dipstick - Hyd Oil	1	
80	<b>R119-6968</b>	119-6968	Dipstick- Oil	1	
81	<b>R94-3559</b>	94-3559	Screw - Hex Socket Head	6	
82	<b>R108-7641</b>	108-7641	Cap-Tank, Hyd	1	
83	<b>R94-2660</b>	94-2660	Gasket- Hyd Tank	1	
84	<b>R32105-13</b>	32105-13	Screw - Hx Was HD 10-32 x 3/4	8	
85	<b>R110-8925</b>	110-8925	Hinge Assy	2	
86	<b>R108-1606-03</b>	108-1606-03	Bracket-Hinge	1	
87	<b>R110-8928</b>	110-8928	Pin Assy	1	
88	<b>R340-136</b>	340-136	O-Ring	1	

All original equipment manufacturers names and part numbers are used for identification purposes only, and we are in no way implying that our products are original equipment parts. Prices subject to change without notice.



# Replaces Toro Reelmaster 5510-D Parts

Traction Unit - Models 03607, 03676, 03680

Hydraulic Tank



Item No	R&R Part No.	OEM Part No.	Description	Qty Req	Order Quantity
89	<b>R400190</b>	01-150-0720, 01-178-0510, 30-8680, 322-6, 513343	Bolt - Hex HD 5/16-18 x 1-1/4 GR5	1	
90	<b>R3234-29</b>	3234-17, 3234-29	Bolt - 5/16-18x1 Serr Hex	2	
91	<b>R340-128</b>	340-128	Nut-Bulkhead	1	
92	<b>R453009</b>	01-166-0400, 24-10-BD, 24-9-AD, 32-9650, 3256-2, 3256-23, 3256-3, 3256-67, 3290-217, 3556-3, 4-2390, 7-0152	Washer - Flat 5/16 SAE	1	
93	<b>R108-1605</b>	108-1605	Bumper-Recess	1	
94	<b>R3234-1</b>	321-11, 3234-1	Bolt - Flanged Serrated Hex HD 3/8-16 x 3/4	4	
95	<b>R340-65</b>	340-65	O-Ring	4	
96	<b>R237-30</b>	23-6320, 237-30	O-Ring - Seal	3	
97	<b>R237-79</b>	237-79	O-Ring	1	
<i>Tech Note: Fits 2006-2009:</i>					
98	<b>R340-109</b>	340-109	Hydraulic Fitting - Run Tee	1	
<i>Tech Note: Fits 2006-2009:</i>					
99	<b>R237-146</b>	237-146, 340-146	O-Ring	2	

All original equipment manufacturers names and part numbers are used for identification purposes only, and we are in no way implying that our products are original equipment parts. Prices subject to change without notice.



# Replaces Toro Reelmaster 5510-D Parts

*Traction Unit - Models 03607, 03676, 03680*

*Hydraulic Tank*



Item No	R&R Part No.	OEM Part No.	Description	Qty Req	Order Quantity
100	<b>R340-129</b>	340-129	Hydraulic Fitting - 90 Deg	1	
101	<b>R104-3797</b>	104-3797	Hydraulic Fitting - Striaight	2	
102	<b>R2412-111</b>	2412-111	Clamp - Hose - Worm	2	

All original equipment manufacturers names and part numbers are used for identification purposes only, and we are in no way implying that our products are original equipment parts. Prices subject to change without notice.