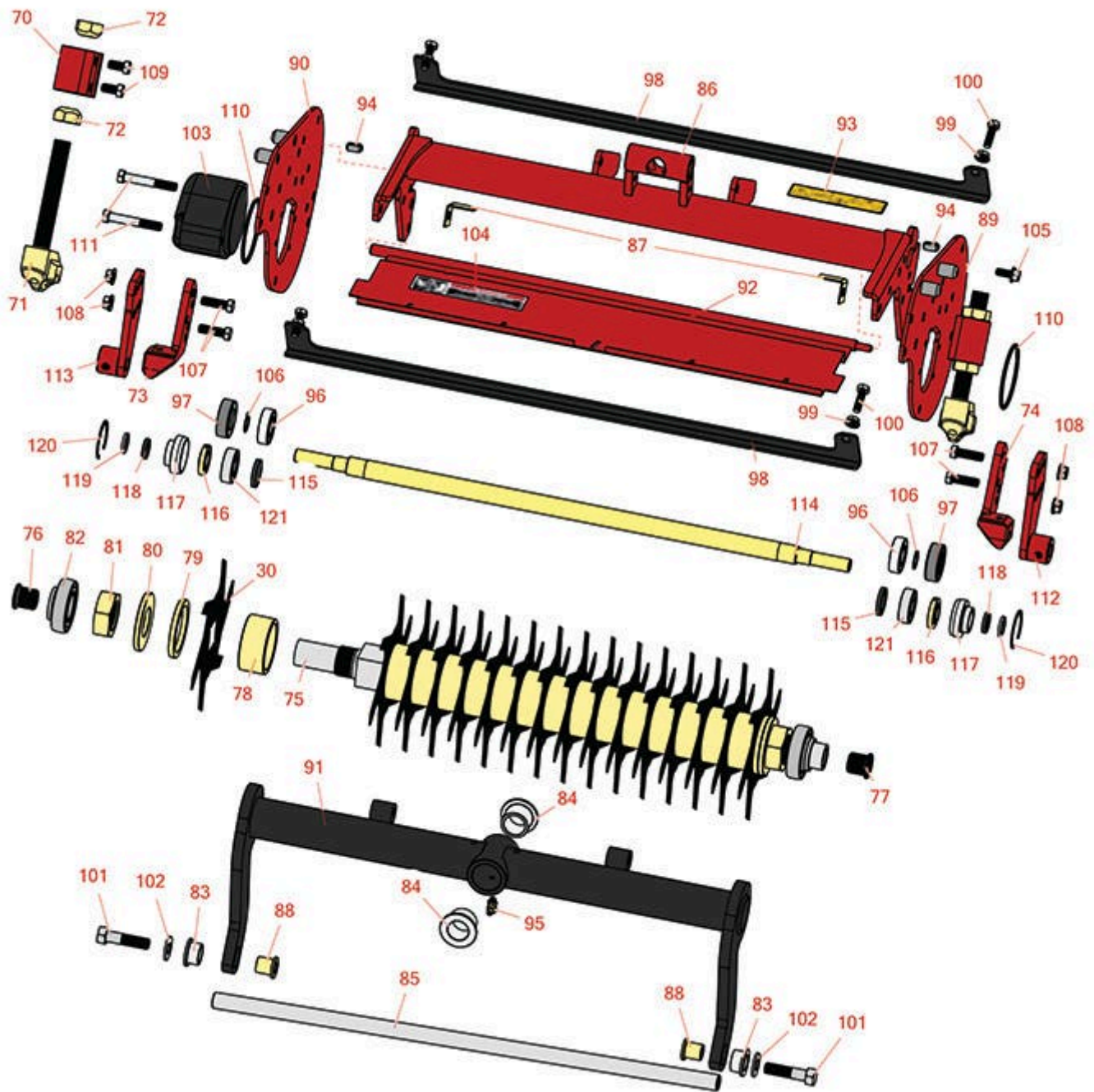




Replaces Toro Reelmaster 5500-D Parts

Verti-Cut Unit - Models 03871 & 03872

Verti-Cut Reel & Frame



All original equipment manufacturers names and part numbers are used for identification purposes only, and we are in no way implying that our products are original equipment parts. Prices subject to change without notice.



Replaces Toro Reelmaster 5500-D Parts

Verti-Cut Unit - Models 03871 & 03872

Verti-Cut Reel & Frame



Item No	R&R Part No.	OEM Part No.	Description	Qty Req	Order Quantity
Verti-Cut Blades					
30	R93-3038-03	93-3038, 93-3038-03	Blade - Vertical Mower 1/16x7.25	16	
30	R106-8625	106-8625	Blade - Carbide Tip	16	
Other Parts Available					
70	R100-2262-01	100-2262-01	Bracket - HOC Rear	2	
71	R100-2263	100-2263	Bracket - Roller Adj	2	
72	R95-2789	95-2789	Nut - Roller Adj Short	4	
73	R104-3373-01	104-3373-01	Bracket - RH HOC Front Roller	1	
74	R104-3375-01	104-3375-01	Bracket - LH HOC Front Roller	1	
75	R105-4017	105-4017	Shaft Assy - Verti Cut	1	
76	R94-2732	94-2732	Insert - Threaded RH	1	
77	R94-2733	94-2733	Insert - Threaded LH	1	
78	R105-0172	105-0172	Spacer - Verticut Shaft 1.2 in	15	
79	R105-0177	105-0177	Spacer - Verticut Shaft 1/4 in	1	
80	R105-0173	105-0173	Washer - Verticut Shaft 1/4 in	1	
81	R3220-25	3220-25	Nut - Jam 1-3/8-12	1	
82	R94-2710	94-2710	Bearing - Ball 1-3/16 Cyl	2	
83	R93-2877	93-2877	Bushing - Flanged	2	
84	R94-1291	94-1291	Bushing - Flanged	2	
85	R105-4021	105-4021	Rod-Support	1	
86	R105-4007-01	105-4007-01	Frame Assy-Dethatch	1	

All original equipment manufacturers names and part numbers are used for identification purposes only, and we are in no way implying that our products are original equipment parts. Prices subject to change without notice.



Replaces Toro Reelmaster 5500-D Parts

Verti-Cut Unit - Models 03871 & 03872

Verti-Cut Reel & Frame



Item No	R&R Part No.	OEM Part No.	Description	Qty Req	Order Quantity
87	R94-2747	94-2747	Tab-Stop	1	
88	R100-2276	100-2276	Spacer-Frame	2	
89	R105-4006-01	105-4006-01	Plate-Side, LH Assy	1	
90	R105-4005-01	105-4005-01	Plate-Side, RH Assy	1	
91	R100-8011	100-8011, 98-7972, 98-7973, 99-2457	Carrier Frame Assy	1	
92	R100-9900	100-2285-01, 100-9900	Grass Shield - Front	1	
92	R98-7978	93-9761, 94-8942, 98-7978	Front Grass Shield	1	
93	R93-6688	93-6688	Decal - Warning	1	
94	R32121-36	32121-36	Pin-Spring	4	
95	R302-60	302-60	Zerk - Grease 90 Deg.	2	
96	R251-347	251-347, 72-5690	Bearing - Ball	2	
97	R150614	99-3842	Seal	2	
98	R105-4019-03	105-4019-03	Scraper-Full	2	
99	R445722	30-8980, 32128-2, 32128-20, 32128-20, 445722	Nut - Serrated Washer	4	
100	R322-16	322-16, Apr-00	Bolt - Hex HD 5/16-18 x 1-1/8	4	

All original equipment manufacturers names and part numbers are used for identification purposes only, and we are in no way implying that our products are original equipment parts. Prices subject to change without notice.



Replaces Toro Reelmaster 5500-D Parts

Verti-Cut Unit - Models 03871 & 03872

Verti-Cut Reel & Frame



Item No	R&R Part No.	OEM Part No.	Description	Qty Req	Order Quantity
101	R325-8	01-150-0590, 01-178-0816, 20-89-AGD, 3226-4, 325-8	Bolt	2	
102	R87-7270-01	87-7270, 87-7270-01	Washer - Flat 1/2	2	
103	R105-4011-03	105-4011, 105-4011-03, 94-4347, 94-4347-01, 94-4347-03	Weight - End	1	
104	R67-7960	27-2890, 62-5070, 67-7960	Decal - Warning	1	
105	R3234-5	3234-5, 62-3310	Bolt - 5/16-18x3/4 Hx Ser Was HD	1	
106	R32120-15	32120-15	Ring - Snap	2	
107	R400264	01-150-0180, 01-178-0610, 20-48-AD, 20-48-AGD, 32-9160, 3224-3, 323-29, 323-7, 400264, 908035P	Bolt - Hex HD 3/8-16 x 1-1/4	4	
108	R3296-39	32127-25, 32128-36, 3290-357, 3296-17, 3296-22, 3296-39, 915663P, 99-7443	Locknut - 3/8-16 Nylon	4	

All original equipment manufacturers names and part numbers are used for identification purposes only, and we are in no way implying that our products are original equipment parts. Prices subject to change without notice.



Replaces Toro Reelmaster 5500-D Parts

Verti-Cut Unit - Models 03871 & 03872

Verti-Cut Reel & Frame



Item No	R&R Part No.	OEM Part No.	Description	Qty Req	Order Quantity
109	R400258	01-150-0800, 01-178-0600, 01-178-0606, 20-45-AD, 31-0200, 31-9910, 3224-1, 323-4, 400258	Bolt - Hex HD 3/8-16 x 3/4	4	
110	R93-9783	93-9783	O-Ring - Reel	2	
111	R101526	01-150-0970, 01-178-0620, 101526, 20-53-AGD, 321-11, 3224-8, 323-11, 323-12, 323-31, 323-4, 323-47	Bolt - Hex HD 3/8-16 x 2-1/2 GR5	2	
112	R94-4332	94-4332, 94-4332-01	Bracket - LH Front Roller	1	
113	R94-4333	94-4333, 94-4333-01	Bracket - RH Front Roller	1	
114	R93-2887	93-2887	Shaft - Roller	1	
115	R93-3007	93-3007	Seal	2	
116	R93-1251	93-1251	Seal	2	
117	R93-1252	93-1252	Seal - Outer	2	
118	R253-70	253-70	Seal	2	
119	R93-2931	93-2931	Washer - Roller Seal	2	
120	R32120-62	32120-62	Ring - Retaining	2	

All original equipment manufacturers names and part numbers are used for identification purposes only, and we are in no way implying that our products are original equipment parts. Prices subject to change without notice.



Replaces Toro Reelmaster 5500-D Parts

Verti-Cut Unit - Models 03871 & 03872

Verti-Cut Reel & Frame



Item No	R&R Part No.	OEM Part No.	Description	Qty Req	Order Quantity
121	R343667	109966, 251-6, 38-7820	Bearing - Ball	2	

All original equipment manufacturers names and part numbers are used for identification purposes only, and we are in no way implying that our products are original equipment parts. Prices subject to change without notice.