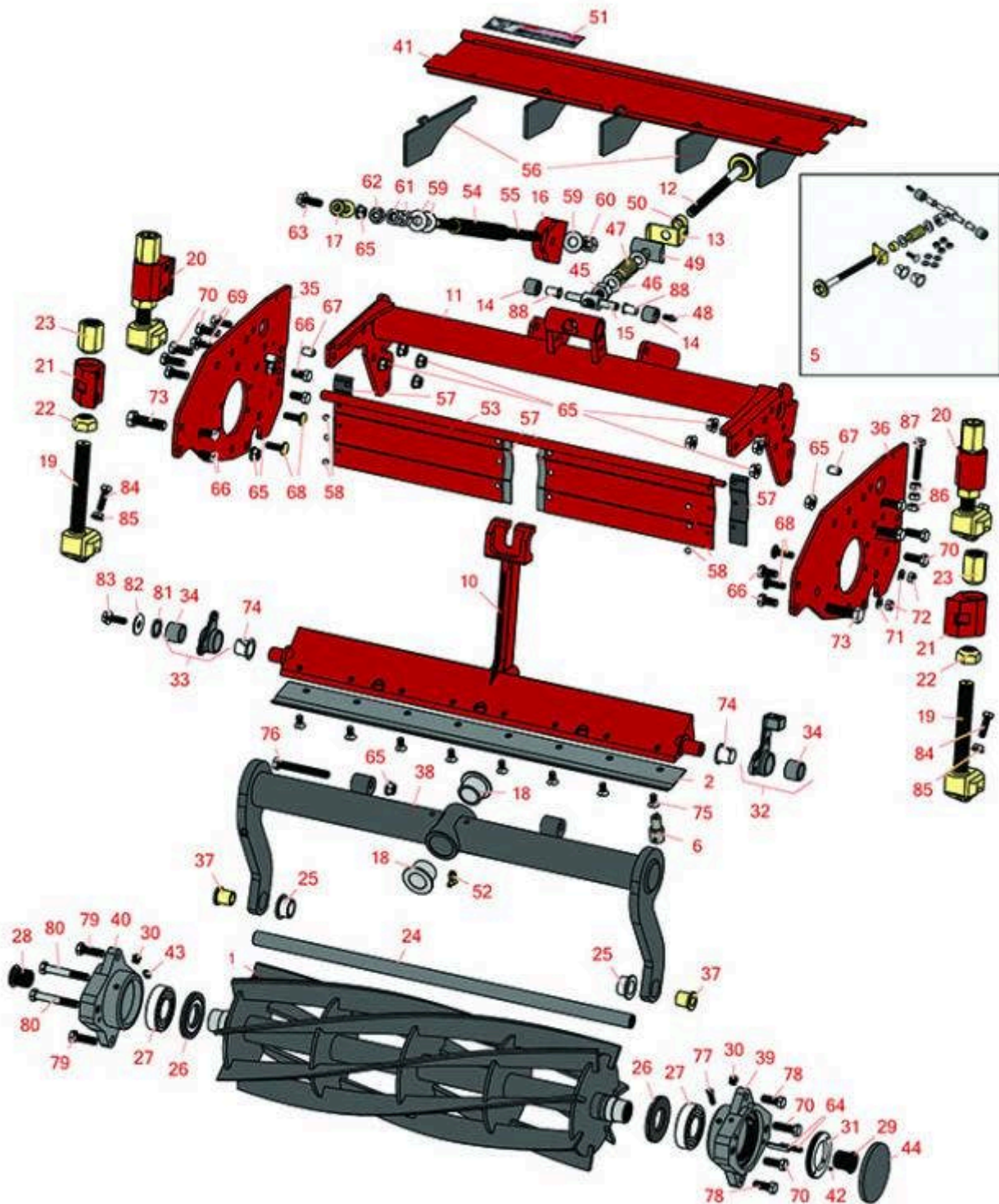




Replaces Toro Reelmaster 5500-D Parts

Cutting Unit - Models 03860, 03861 & 03862
Reel & Bedknife



All original equipment manufacturers names and part numbers are used for identification purposes only, and we are in no way implying that our products are original equipment parts. Prices subject to change without notice.



Replaces Toro Reelmaster 5500-D Parts

Cutting Unit - Models 03860, 03861 & 03862
Reel & Bedknife



Item No	R&R Part No.	OEM Part No.	Description	Qty Req	Order Quantity
R&R Reels, Lifetime Guaranteed					
1	R94-4337	93-7520, 94-4337	Reel - 5 Blade	1	
1	R95-2770	95-2770	Reel - 7 Blade	1	
1	R94-4338	93-7521, 94-4338	Reel - 11 Blade	1	
R&R Bedknives, Lifetime Guaranteed					
2	R93-9774	93-9774	Bedknife - 5/16	1	
2	R98-3994	98-3994	Bedknife - 3/8	1	
2	R104-1810	104-1810	Bedknife - High Cut	1	
R&R Razor Tool Steel Bedknives, Lifetime Guaranteed					
2	R108-9095	108-9095, 137-0833	Bedknife - Razor Tool Steel - 22 High Cut	0	
Overhaul Kits & Service Tools					
5	R106-9605	106-9605	Overhaul Kit - Spa Bedbar	1	
<i>Tech Note: Includes 1 ea: R302-18, R3296-62, R57-5260, R93-2959, R93-7501, R95-0772, R95-8752, R95-8877; 2 ea: R453017, R52-2890, R62-5510, R93-7502; & 4 ea: R3230-2, R3256-74, R3296-29;</i>					
6	R51-0880	51-0880	Bedknife Screw Driver Tool	0	
Other Parts Available					
10	R99-8698	93-2854, 95-3458, 99-8698-01	Bed Bar	1	
11	R100-4994-01	100-4994-01	Frame-Reel	1	

All original equipment manufacturers names and part numbers are used for identification purposes only, and we are in no way implying that our products are original equipment parts. Prices subject to change without notice.



Replaces Toro Reelmaster 5500-D Parts

Cutting Unit - Models 03860, 03861 & 03862

Reel & Bedknife



Item No	R&R Part No.	OEM Part No.	Description	Qty Req	Order Quantity
12	R95-8877	106-7536, 93-2957, 95-2762, 95-8877	Handle - Bed Bar Adjustment	1	
13	R95-8752	93-9767, 95-8752	Arm - Spring	1	
14	R62-5510	52-2870, 62-5510	Bushing	2	
15	R57-5260	107-7409, 57-5260	Pivot - 1/2-20 - Bed Bar	1	
16	R100-4992	100-4992	Bracket-Spring	1	
17	R99-8662	99-8662	Tube - Spring	1	
18	R94-1291	94-1291	Bushing - Flanged	2	
19	R100-2263	100-2263	Bracket - Roller Adj	4	
20	R100-2262-01	100-2262-01	Bracket - HOC Rear	2	
21	R100-2261-01	100-2261-01	Bracket - HOC Front	2	
22	R95-2789	95-2789	Nut - Roller Adj Short	4	
23	R95-2790	95-2790	Nut - Roller Adj Long	4	
24	R99-8693	99-8693	Rod-Support	1	
25	R93-2877	93-2877	Bushing - Flanged	2	
26	R107-4028	105-6757, 107-4028	Seal - Grease	2	
27	R93-2489	93-2489	Bearing - Reel	2	
28	R94-2732	94-2732	Insert - Threaded RH	1	
29	R94-2733	94-2733	Insert - Threaded LH	1	

All original equipment manufacturers names and part numbers are used for identification purposes only, and we are in no way implying that our products are original equipment parts. Prices subject to change without notice.



Replaces Toro Reelmaster 5500-D Parts

Cutting Unit - Models 03860, 03861 & 03862
Reel & Bedknife



Item No	R&R Part No.	OEM Part No.	Description	Qty Req	Order Quantity
30	R170714	302-34, 302-39, 62-3520	Fitting - Pressure Relief	2	
31	R93-9786	105-6756, 93-9786, 95-2793, 99-5672	Nut - Bearing Adj Incl R3245-42	1	
32	R100-3381	100-3381	Hub - Pivot LH Bed Bar	1	
<i>Tech Note: Includes R93-7501:</i>					
33	R100-3380	100-3380	Hub - Pivot RH Bed Bar	1	
<i>Tech Note: Includes R93-7501:</i>					
34	R93-7501	93-7501	Bushing	2	
35	R100-2267-01	100-2267-01	Sideplate-RH	1	
36	R100-2268-01	100-2268-01	LH Sideplate Assy	1	
37	R100-2276	100-2276	Spacer-Frame	2	
38	R100-8011	100-8011, 98-7972, 98-7973, 99-2457	Carrier Frame Assy	1	
39	R105-6755	105-6755	Housing-Bearing - LH	1	
40	R105-6759	105-6759	Housing-Bearing - RH	1	
41	R100-9900	100-2285-01, 100-9900	Grass Shield - Front	1	
42	R3245-42	3245-42	Screw - Set 8/32 x 1/4	1	

All original equipment manufacturers names and part numbers are used for identification purposes only, and we are in no way implying that our products are original equipment parts. Prices subject to change without notice.



Replaces Toro Reelmaster 5500-D Parts

Cutting Unit - Models 03860, 03861 & 03862

Reel & Bedknife



Item No	R&R Part No.	OEM Part No.	Description	Qty Req	Order Quantity
43	R302-5	21-6010, 302-11, 302-37, 302-47, 302-5, 302-57, 302-58, 302-6, 31-0300, 32-9660, 60-0800, 62-3880, 92-4181	Fitting - Grease	2	
44	R94-2703	94-2703	Plug - Plastic Spindle Housing	1	
45	R3296-62	3296-62	Locknut - 1/2-20 LH Jam	1	
46	R29-8910-01	29-8910	Washer - Flat 1/2	2	
47	R95-0772	93-2915, 95-0772	Spring - Bed Bar Adjuster	1	
48	R302-18	302-18	Zerk - Grease Press Style	1	
49	R93-2892	93-2892	Pivot - Plastic - Bed Bar	1	
50	R93-2959	93-2959	Spacer - Bed Bar Assy	1	
51	R67-7960	27-2890, 62-5070, 67-7960	Decal - Warning	1	
52	R302-60	302-60	Zerk - Grease 90 Deg.	1	
53	R100-2289	100-2289	Rear Grass Shield Assy	1	
<i>Tech Note: Incl: 4 ea. R98-3999 and 12 ea. R700382:</i>					
54	R92-7768	86-0080, 92-7768	Spring-Compression	1	
55	R99-8661	99-8661	Rod-Spring	1	

All original equipment manufacturers names and part numbers are used for identification purposes only, and we are in no way implying that our products are original equipment parts. Prices subject to change without notice.



Replaces Toro Reelmaster 5500-D Parts

Cutting Unit - Models 03860, 03861 & 03862

Reel & Bedknife



Item No	R&R Part No.	OEM Part No.	Description	Qty Req	Order Quantity
56	R100-2287	100-2287	Deflector-Shield,	5	
57	R98-3999	98-3999	Flap-Side-Rubber	4	
58	R700382	700382	Rivet - Guard	12	
59	R87-7270-01	87-7270, 87-7270-01	Washer - Flat 1/2	2	
60	RF5003	32127-29, 32131-5, 32132-5, 3296-23	Locknut - ESNA 1/2-13	1	
61	R443818	01-191-0813, 3218-18, 3218-5, 3248-18	Nut - 1/2-13 Hex Jam Zinc	3	
62	R32128-43	30-8990, 32128-43, 3290-357	Nut - Flanged Whiz - 3/8-16	1	
63	R3234-18	3234-18	Screw-HHF	1	
64	R32121-69	120-8095, 32121-69	Pin - Roll 1/4 x 1-1/4	4	
65	R3296-39	32127-25, 32128-36, 3290-357, 3296-17, 3296-22, 3296-39, 915663P, 99-7443	Locknut - 3/8-16 Nylon	11	

All original equipment manufacturers names and part numbers are used for identification purposes only, and we are in no way implying that our products are original equipment parts. Prices subject to change without notice.



Replaces Toro Reelmaster 5500-D Parts

Cutting Unit - Models 03860, 03861 & 03862

Reel & Bedknife



Item No	R&R Part No.	OEM Part No.	Description	Qty Req	Order Quantity
66	R400258	01-150-0800, 01-178-0600, 01-178-0606, 20-45-AD, 31-0200, 31-9910, 3224-1, 323-4, 400258	Bolt - Hex HD 3/8-16 x 3/4	8	
67	R32121-36	32121-36	Pin-Spring	4	
68	R3230-2	01-173-0508, 25-25-AGD, 3230-16, 3230-2, 513624, 513633, 513635, 900038P	Bolt - Carriage	4	
69	R3234-5	3234-5, 62-3310	Bolt - 5/16-18x3/4 Hx Ser Was HD	2	
70	R3234-11	3234-11	Bolt - Hex Washer HD	8	
71	R3256-74	3256-74	Washer - Flat	4	
72	R3296-29	1-804256, 3290-357, 3296-29, 915662P	Locknut - 5/16-18 ESNA	4	
73	R325-7	01-150-0380, 01-178-0814, 3226-3, 325-7, 48-9490	Bolt - 1/2-13 x 1 3/4 Hex HD Gr 5	0	
74	R93-7502	93-7502	Bushing - Flanged Nylon	2	
75	R150476	3-3816, 3-6462, 52-4910, 57-4910	Screw - Bedknife 5/16-18 x 5/8	8	

All original equipment manufacturers names and part numbers are used for identification purposes only, and we are in no way implying that our products are original equipment parts. Prices subject to change without notice.



Replaces Toro Reelmaster 5500-D Parts

Cutting Unit - Models 03860, 03861 & 03862
Reel & Bedknife



Item No	R&R Part No.	OEM Part No.	Description	Qty Req	Order Quantity
76	R99-8664	99-8664	Bolt - Hx HD	1	
77	R105-6758	105-6758	Setscrew-Sqh	1	
78	R323-6	01-150-0010, 01-178-0608, 20-47-AD, 20-47-AGD, 3224-2, 323-6, 49-3510, 908034P, 908332	Bolt - Hex HD 3/8-16 x 1 GR5 YZ	0	
79	R400264	01-150-0180, 01-178-0610, 20-48-AD, 20-48-AGD, 32-9160, 3224-3, 323-29, 323-7, 400264, 908035P	Bolt - Hex HD 3/8-16 x 1-1/4	4	
80	R101526	01-150-0970, 01-178-0620, 101526, 20-53-AGD, 321-11, 3224-8, 323-11, 323-12, 323-31, 323-4, 323-47	Bolt - Hex HD 3/8-16 x 2-1/2 GR5	2	
81	R93-7510	93-7510	Ring - Quad RH Pivot Hub	1	
82	R3256-82	3256-82	Washer - Flat	1	
83	R33104-020	33104-020	Bolt - Hex Washer HD	1	
84	R322-16	322-16, Apr-00	Bolt - Hex HD 5/16-18 x 1-1/8	4	

All original equipment manufacturers names and part numbers are used for identification purposes only, and we are in no way implying that our products are original equipment parts. Prices subject to change without notice.



Replaces Toro Reelmaster 5500-D Parts

Cutting Unit - Models 03860, 03861 & 03862
Reel & Bedknife



Item No	R&R Part No.	OEM Part No.	Description	Qty Req	Order Quantity
85	R445722	30-8980, 32128-2, 32128-20, 32128-20 , 445722	Nut - Serrated Washer	4	
86	R14M7298	104-2612, 33004-00	Nut - 8mm x 1.25 Flanged	3	
87	R94-3489	75-8530, 94-3489	Bolt - Hex HD M8 x 50	1	
88	R52-2890	52-2890	Bushing - Flanged	2	

All original equipment manufacturers names and part numbers are used for identification purposes only, and we are in no way implying that our products are original equipment parts. Prices subject to change without notice.