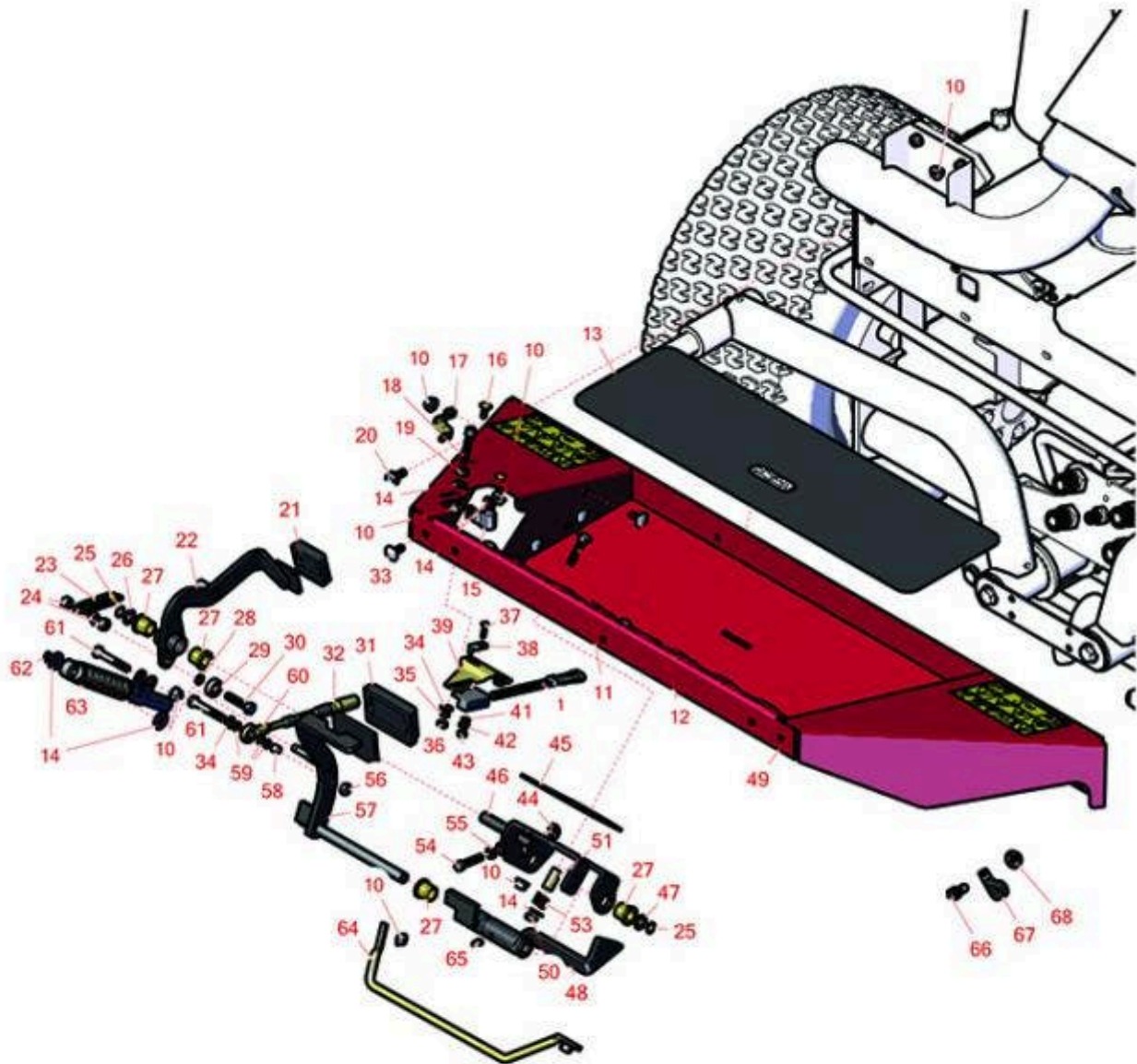




Replaces Toro Reelmaster 3100-D Parts

Traction Unit - Model 03200

Front Platform



All original equipment manufacturers names and part numbers are used for identification purposes only, and we are in no way implying that our products are original equipment parts. Prices subject to change without notice.



Replaces Toro Reelmaster 3100-D Parts

Traction Unit - Model 03200

Front Platform



Item No	R&R Part No.	OEM Part No.	Description	Qty Req	Order Quantity
Gauges and Controls					
1	R100-1270	100-1270	Sensor - Proximity	1	
Other Parts Available					
10	R445722	30-8980, 32128-2, 32128-20, 32128-20	Nut - Serrated Washer	15	
11	R3230-6	3230-6	Bolt - Carraige	1	
12	R112-6950	112-6950, 3230-27	Bolt - Carriage 5/16-18 x 1-1/2	3	
13	R99-3478	99-3478	Pad - Anti Skid	1	
14	R453009	01-166-0400, 24-10-BD, 24-9-AD, 32-9650, 3256-2, 3256-23, 3256-3, 3256-67, 3290-217, 3556-3, 4-2390, 7-0152	Washer - Flat 5/16 SAE	3	
15	R2412-103	2412-103	Clamp	1	
16	R3229-1	01-173-0406, 01-178-0408, 3229-1, 3229-25, 900015P	Bolt - 1/4-20 x 3/4 - Carriage	2	
17	R93-2092	93-2092	Clamp - Cable	1	
18	R330748	3274-22, 330748	Screw - 5/16-18x1 Socket HD	1	

All original equipment manufacturers names and part numbers are used for identification purposes only, and we are in no way implying that our products are original equipment parts. Prices subject to change without notice.



Replaces Toro Reelmaster 3100-D Parts

Traction Unit - Model 03200

Front Platform



Item No	R&R Part No.	OEM Part No.	Description	Qty Req	Order Quantity
19	R443106	01-188-0518, 22-12-AJD, 32111-4, 3217-4, 3217-6, 3218-2, 513295, 513412, 915112P, 915978, 915979	Nut - 5/16-18 Y/Zinc Plated	1	
20	R3234-5	3234-5, 62-3310	Bolt - 5/16-18x3/4 Hx Ser Was HD	11	
21	R74-9110	74-9110	Rubber Foot Pad - Reverse	1	
22	R99-3379	99-3379	Pedal - Reverse	1	
23	R99-3476	99-3476	Spring - Extension	1	
24	R3296-47	3296-47	Locknut - 5/16-18 Jam Nyloc	3	
25	R32151-84	32120-3, 32120-80, 32151-84	Ring - Shaft - Ext	2	
26	R455012	3256-26, 41-8440	Washer - Flat 1/2 x 3/4	1	
27	R256-243	256-243	Bearing - Flange	4	
28	R75-5470	75-5470	Spacer - Bearing	1	
29	R251-259	251-259, 251-307	Bearing - Ball	1	
30	R322-7	01-150-0750, 01-150-0760, 01-178-0512, 20-28-AD, 20-28-AGD, 322-7, 3223-4	Bolt - Hex HD 5/16-18 x 1-1/2	1	

All original equipment manufacturers names and part numbers are used for identification purposes only, and we are in no way implying that our products are original equipment parts. Prices subject to change without notice.



Replaces Toro Reelmaster 3100-D Parts

Traction Unit - Model 03200

Front Platform



Item No	R&R Part No.	OEM Part No.	Description	Qty Req	Order Quantity
31	R74-9100	74-9100	Rubber Foot Pad - Forward	1	
32	R100-4815	100-4815	Cable - Traction Control	1	
32	R107-2550	107-2550, 93-2099	Cable - Control - Traction	1	
33	R3230-23	3230-23, Mar-61	Bolt - 5/16-18x3/4 - Carriage	5	
34	R3256-22	24-9-BD, 3-1032, 3256-1, 3256-22, 93-0954, 93-0989	Washer - Flat 1/4 Yellow	3	
35	R3255-7	3255-7, 76-5310	Washer - Lock 1/4 Ext Star Z	2	
36	R443102	01-188-0420, 22-11-AJD, 3217-5, 33024-00	Nut - 1/4-20 Yellow Zinc	2	
37	R3229-20	3229-20	Screw - 3/16-24 x 3/4 Carr	1	
38	R100-4872	100-4872, 104-7702	Plate-Switch - Neutral	1	
39	R100-4871	100-4871	Bracket - Neutral Switch	1	
41	R3256-14	24-7-BD, 32125-2, 3256-14, 3256-51, 51-2170	Washer - 10 Flat	1	
42	R3255-17	3255-17	Washer - Lock - Ext	1	
43	R3296-2	32127-10, 3296-2, 9157404	Nut - #10 Lock	1	
44	R99-3565	99-3565	Nut - Square	1	

All original equipment manufacturers names and part numbers are used for identification purposes only, and we are in no way implying that our products are original equipment parts. Prices subject to change without notice.



Replaces Toro Reelmaster 3100-D Parts

Traction Unit - Model 03200

Front Platform



Item No	R&R Part No.	OEM Part No.	Description	Qty Req	Order Quantity
45	R106-2661-01	106-2661-01	Plate - Support	1	
46	R95-8869-03	95-8869, 95-8869-03	Bracket - Traction Pedal	1	
47	R73-0040	73-0040	Washer - Thrust	1	
48	R95-8861	95-8861	Slide	1	
49	R106-4154	106-4154	Floorplate Assy	1	
50	R3296-29	1-804256, 3290-357, 3296-29, 915662P	Locknut - 5/16-18 ESNA	1	
51	R95-8866	95-8866	Tube- Rocker Arm	1	
53	R65-9940	65-9940	Spring	1	
54	R322-41	322-41	Bolt - Hx HD	1	
55	RP457-2	01-191-0518, 22-12-AJK, 3218-2, 513299, P457-2	Nut - Jam 5/16-18 Zinc	1	
56	R301504	2296-42, 301504, 32127-24, 32128-33, 32146-17, 3296-16, 3296-42, 3296-42 , 915661P	Locknut - ESNA 1/4-20	1	
57	R104-4852-03	104-4852-03, 99-3564	Traction Pedal Assy	1	
58	R99-3545	99-3545	Spacer	1	

All original equipment manufacturers names and part numbers are used for identification purposes only, and we are in no way implying that our products are original equipment parts. Prices subject to change without notice.



Replaces Toro Reelmaster 3100-D Parts

Traction Unit - Model 03200

Front Platform



Item No	R&R Part No.	OEM Part No.	Description	Qty Req	Order Quantity
59	R24M7139	24M7139, 3256-16, 33093-00, 43-5930	Washer - Flat 6mm	3	
60	R2411-41	2411-41	Rod End - Ball Joint	1	
61	R322-10	20-30-AD, 24-7180, 322-10, 322-10 , 3223-6, 513347	Bolt - Hex HD 5/16-18 x 2	2	
62	R32151-3	32151-3	Ring - Grip	1	
63	R76-8870	105-7280, 76-8870	Lever Damper Assy	1	
64	R95-8893	95-8893	Bar - Deflector	1	
65	R302-5	21-6010, 302-11, 302-37, 302-47, 302-5, 302-57, 302-58, 302-6, 31-0300, 32-9660, 60-0800, 62-3880, 92-4181	Fitting - Grease	1	
66	R323-6	01-150-0010, 01-178-0608, 20-47-AD, 20-47-AGD, 3224-2, 323-6, 49-3510, 908034P, 908332	Bolt - Hex HD 3/8-16 x 1 GR5 YZ	1	
67	R2412-41	2412-41	Clamp	1	

All original equipment manufacturers names and part numbers are used for identification purposes only, and we are in no way implying that our products are original equipment parts. Prices subject to change without notice.



Replaces Toro Reelmaster 3100-D Parts

Traction Unit - Model 03200

Front Platform



Item No	R&R Part No.	OEM Part No.	Description	Qty Req	Order Quantity
68	R32128-43	30-8990, 32128-43, 3290-357	Nut - Flanged Whiz - 3/8-16	1	

All original equipment manufacturers names and part numbers are used for identification purposes only, and we are in no way implying that our products are original equipment parts. Prices subject to change without notice.