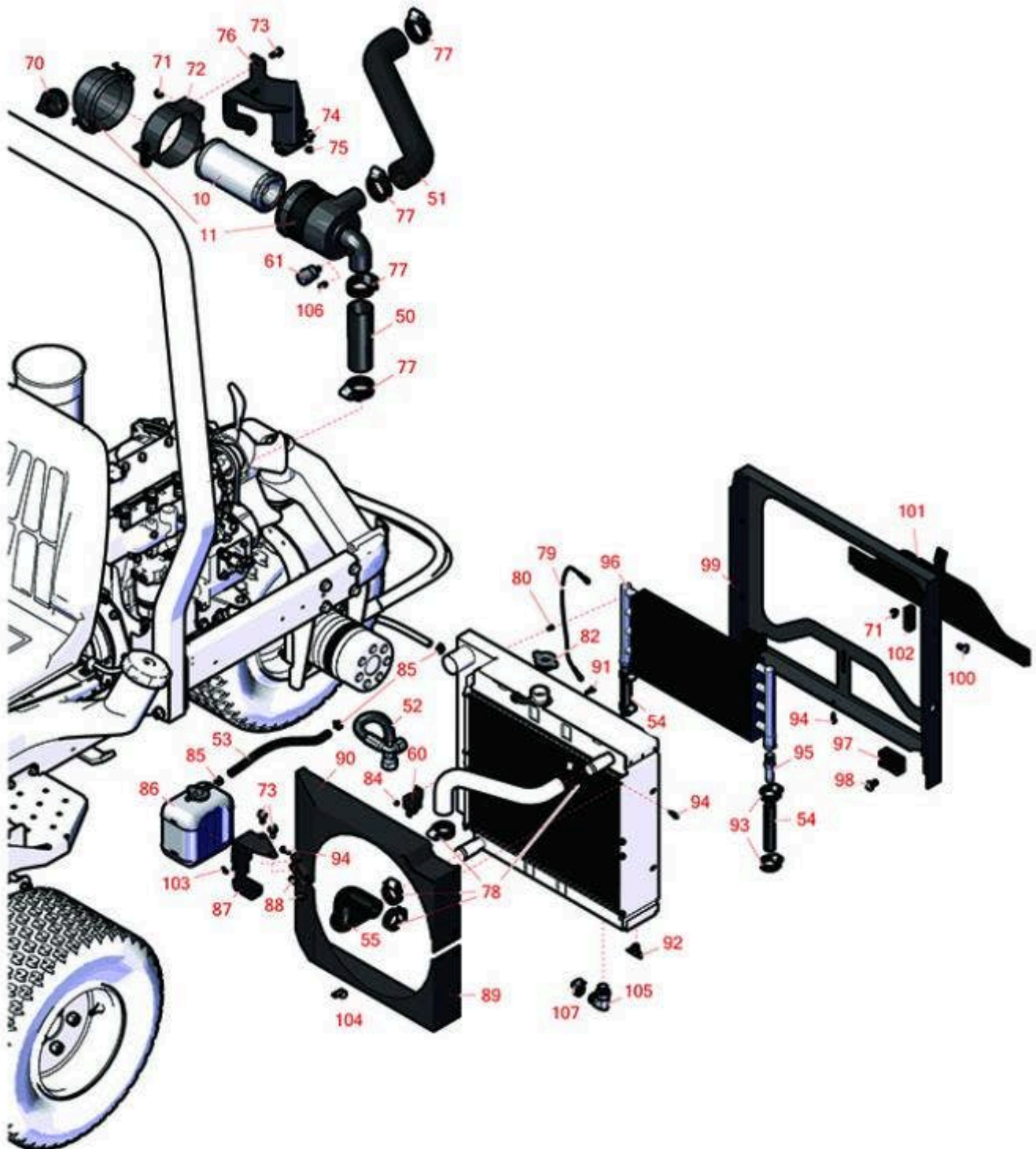




# Replaces Toro Reelmaster 3100-D Parts

*Traction Unit - Model 03170*

*Radiator & Air Intake*



All original equipment manufacturers names and part numbers are used for identification purposes only, and we are in no way implying that our products are original equipment parts. Prices subject to change without notice.



# Replaces Toro Reelmaster 3100-D Parts

Traction Unit - Model 03170

Radiator & Air Intake



Item No	R&R Part No.	OEM Part No.	Description	Qty Req	Order Quantity
<b>Filters</b>					
10	<b>R108-3811</b>	108-3811	Element - Air Cleaner	1	
11	<b>R93-2190</b>	93-2190	Air Cleaner Assy	1	
<b>Hoses</b>					
50	<b>R95-8947</b>	95-8947	Hose - Lower - Air in	1	
51	<b>R95-8946</b>	95-8946	Hose - Upper - Air in	1	
52	<b>R104-2806</b>	104-2806	Hose - Hydraulic	1	
53	<b>R110-4105</b>	110-4105	Fuel Hose	1	
54	<b>R95-8706</b>	95-8706	Hydraulic Hose Assy	2	
55	<b>R95-8945</b>	95-8945	Hose-Radiator - Lower	1	
<b>Gauges and Controls</b>					
60	<b>R99-7435</b>	99-7435	Relay - 70 Amp	1	
61	<b>R93-9164</b>	93-9164	Indicator - Service - Air Filter	1	
<b>Other Parts Available</b>					
70	<b>R87-9400</b>	104-0498, 87-9400	Valve - Vacuator	1	
71	<b>R32128-44</b>	32128-44	Nut	6	
72	<b>R93-2191</b>	93-2191	Band-Mounting - Air Cleaner	1	
73	<b>R3234-5</b>	3234-5, 62-3310	Bolt - 5/16-18x3/4 Hx Ser Was HD	4	
74	<b>R33114-016</b>	33114-016, 42-9230, 42-9270, 48-7680, 48-7690, 48-7700	Bolt - Hx HD 8mm x 1.25 x 15	2	

All original equipment manufacturers names and part numbers are used for identification purposes only, and we are in no way implying that our products are original equipment parts. Prices subject to change without notice.



# Replaces Toro Reelmaster 3100-D Parts

Traction Unit - Model 03170

Radiator & Air Intake



Item No	R&R Part No.	OEM Part No.	Description	Qty Req	Order Quantity
74	<b>R33104-016</b>	33104-016	Bolt - Hx HD Fl	2	
75	<b>R453009</b>	01-166-0400, 24-10-BD, 24-9-AD, 32-9650, 3256-2, 3256-23, 3256-3, 3256-67, 3290-217, 3556-3, 4-2390, 7-0152	Washer - Flat 5/16 SAE	2	
76	<b>R99-3355-03</b>	99-3355, 99-3355-03	Bracket- Filter	1	
77	<b>RG132</b>	2412-130, 2412-92	Clamp - Hose 1.56-2.5 Box/10	1	
77	<b>R2412-130</b>	2412-130, 2412-92	Clamp - Hose 1 5/16-2 1/2	4	
78	<b>R2412-34</b>	2412-34, 31-0120	Clamp - Hose .75-1.5	4	
<i>Detail Description: Stainless steel hose clamp with 5/16" slotted hex head, heat treated carbon steel, plated with zinc plus trivalent chromate for long lasting protection.:</i>					
78	<b>RG116</b>	2412-34, 31-0120, 94-3188, 94-3189, 94-3193, 94-3203, 94-3204	Clamp - Hose 3/4" x 1-1/2" - Box/10	2	
<i>Detail Description: Stainless steel hose clamps with 5/16" slotted hex head, heat treated carbon steel, plated with zinc plus trivalent chromate for long lasting protection. Good general-purpose clamp. Box of 10.:</i>					
78	<b>R2412-111</b>	2412-111	Clamp - Hose - Worm	2	
79	<b>R99-3390</b>	99-3390	Lanyard	1	

All original equipment manufacturers names and part numbers are used for identification purposes only, and we are in no way implying that our products are original equipment parts. Prices subject to change without notice.



# Replaces Toro Reelmaster 3100-D Parts

*Traction Unit - Model 03170*

*Radiator & Air Intake*



Item No	R&R Part No.	OEM Part No.	Description	Qty Req	Order Quantity
80	<b>R3269-22</b>	3269-22	Rivet- Pop	2	
82	<b>R93-5957</b>	120-1690, 93-5957	Cap - Radiator	1	
84	<b>R32128-17</b>	32128-17	Nut - Lock - Flange	1	
85	<b>R92-2379</b>	92-2379	Clamp - Hose	2	
86	<b>RX1G64272400</b>	104-9318, 105-3753, 98-9323, 98-9397	Kubota Tank - Reserve Assy	1	
87	<b>R95-8879-03</b>	95-8879, 95-8879-03	Bracket - Reservoir	1	
88	<b>R445722</b>	30-8980, 32128-2, 32128-20, 32128-20	Nut - Serrated Washer	2	
89	<b>R99-3360-03</b>	99-3360, 99-3360-03	Fan Shroud - Bottom	1	
90	<b>R99-3580</b>	99-3580	Fan Shroud - Top	1	
91	<b>R32105-13</b>	32105-13	Screw - Hx Was HD 10-32 x 3/4	1	
92	<b>R304-46</b>	304-46	Draincock	1	
93	<b>R2412-129</b>	2412-129, 94-3188, 94-3189, 94-3193, 94-3203, 94-3204	Clamp - Worm 9/16-1 1/4	4	
94	<b>R32104-116</b>	32104-116	Screw - 12 x 1/2 Sheet Metal HswH	9	
95	<b>R95-8710</b>	95-8710	Fitting-Barb	2	
96	<b>R75-1040</b>	75-1040	Cooler - Oil	1	

All original equipment manufacturers names and part numbers are used for identification purposes only, and we are in no way implying that our products are original equipment parts. Prices subject to change without notice.



# Replaces Toro Reelmaster 3100-D Parts

Traction Unit - Model 03170

Radiator & Air Intake



Item No	R&R Part No.	OEM Part No.	Description	Qty Req	Order Quantity
97	<b>R95-8962</b>	95-8962	Seal - Foam - Radiator	2	
98	<b>R3234-1</b>	321-11, 3234-1	Bolt - Flanged Serrated Hex HD 3/8-16 x 3/4	4	
99	<b>R100-4903-03</b>	100-4903, 100-4903-03	Radiator Frame Assy	1	
100	<b>R3230-1</b>	01-173-0506, 3230-1, 3230-20, 900037P	Bolt - Carriage 5/16-18 x 3/4	4	
101	<b>R95-8702-03</b>	95-8702, 95-8702-03	Shield - Radiator - Lower	1	
102	<b>R58-4250</b>	58-4250, 99-3497	Catch - Magnetic	1	
103	<b>R3290-321</b>	01-158-0200, 31-0130, 3250-12, 3290-321	Screw-Hex Washer HD 10-24 x 1/2	1	
104	<b>R2412-73</b>	2412-73	Clamp - Rubber Coated	1	
105	<b>R340-98</b>	340-98	Hydraulic Fitting	1	
106	<b>R285-17</b>	285-10, 285-17	Plug - 1/8 NPT	1	
107	<b>R2412-36</b>	2210-87, 2412-36, 31-9140, 93-5818, 99-0772	Clamp - Hose 1/2	4	

All original equipment manufacturers names and part numbers are used for identification purposes only, and we are in no way implying that our products are original equipment parts. Prices subject to change without notice.