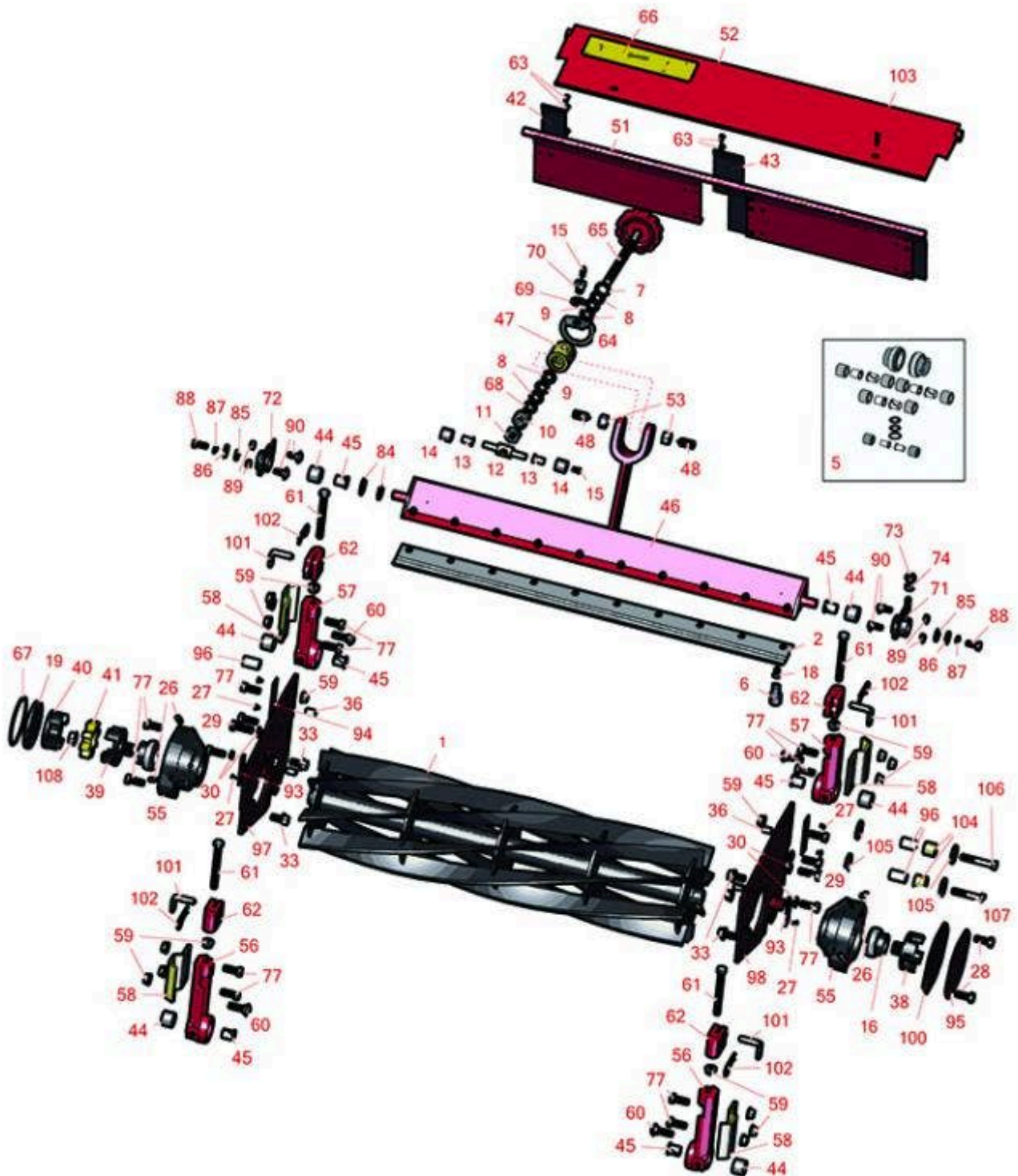




Replaces Toro Reelmaster 2600-D Parts

32in Cutting Unit - Models 03466 & 03467
Reel & Bedknife



All original equipment manufacturers names and part numbers are used for identification purposes only, and we are in no way implying that our products are original equipment parts. Prices subject to change without notice.



Replaces Toro Reelmaster 2600-D Parts

32in Cutting Unit - Models 03466 & 03467

Reel & Bedknife



Item No	R&R Part No.	OEM Part No.	Description	Qty Req	Order Quantity
---------	--------------	--------------	-------------	---------	----------------

R&R Reels, Lifetime Guaranteed

1	R94-5055	94-4987, 99-3470, 99-3484	Reel - 5 Blade 32x7	3	
---	-----------------	---------------------------------	---------------------	---	--

Detail Description: R&R Reel blades are expertly crafted from premium high carbon-boron alloy steel, heat-treated to perfectly complement both R&R and OEM bedknives. Each reel undergoes precision cylindrical grinding on bearing surfaces, followed by relief grinding for optimal performance. Advanced computer balancing ensures extended reel and bearing life. Backed by our lifetime guarantee against defects in materials and craftsmanship under normal use, R&R Reels deliver unmatched durability and cutting precision you can trust.:

1	R94-5054	94-4960, 99-3471, 99-3485	Reel - 8 Blade Fits 32x7	3	
---	-----------------	---------------------------------	--------------------------	---	--

Detail Description: R&R Reel blades are expertly crafted from premium high carbon-boron alloy steel, heat-treated to perfectly complement both R&R and OEM bedknives. Each reel undergoes precision cylindrical grinding on bearing surfaces, followed by relief grinding for optimal performance. Advanced computer balancing ensures extended reel and bearing life. Backed by our lifetime guarantee against defects in materials and craftsmanship under normal use, R&R Reels deliver unmatched durability and cutting precision you can trust.:

R&R Bedknives, Lifetime Guaranteed

2	R94-5079	104-1381, 94-4974, 94-5079	Bedknife - Lowcut - 32 in Unit	1	
---	-----------------	----------------------------------	--------------------------------	---	--

Detail Description: R&R Bedknives are manufactured from high carbon-boron alloy steel and then hardened to RC46-49 to match the temper of our reel blades and original equipment reels. Bedknives are surface ground on the top and front edge and straightened three times before being packaged with oil for rust prevention. All R&R Bedknives now have an increased front edge grind for added life. All R&R Bedknives are guaranteed against defects in material and workmanship under normal use for the life of the part.:

2	R112-8956	112-8956	Bedknife - Razor Tool Steel - 32 x 3/8 Fairway	1	
---	------------------	----------	--	---	--

All original equipment manufacturers names and part numbers are used for identification purposes only, and we are in no way implying that our products are original equipment parts. Prices subject to change without notice.



Replaces Toro Reelmaster 2600-D Parts

32in Cutting Unit - Models 03466 & 03467
Reel & Bedknife



Item No	R&R Part No.	OEM Part No.	Description	Qty Req	Order Quantity
---------	--------------	--------------	-------------	---------	----------------

Detail Description: R&R Razor bedknives are manufactured from premium alloy tool steel steel and then hardened to RC48-51 to match the temper of our Razor reel blades and original equipment premium series reels. Bedknives are surface ground on the top and front edge and specially packaged for rust prevention. All R&R Bedknives now have an increased front edge grind for added life. All R&R Bedknives are guaranteed against defects in material and workmanship under normal use for the life of the part. You can expect up to double the life over standard bedknives.:

Overhaul Kits

5	R150545		Overhaul Kit - Cutting Unit	1
---	----------------	--	-----------------------------	---

Detail Description: Includes 6 ea.: R56-9510 Rubber Bushings, R56-9520 Nyliner Bushings; 2 ea.: R52-2890 Bushings, R71-1360 Reel Bearings, R62-5510 Bushings, R257-6 Thrust Bearings; 1 ea.: R253-84 Seal:

Service Tools

6	R51-0880	51-0880	Bedknife Screw Driver Tool	0
---	-----------------	---------	----------------------------	---

Detail Description: Easily install and remove bed knife screws with the help of a ratchet with 3/8" drive. Tool manufactured with hardened alloy steel.:

Other Parts Available

7	R253-84	253-84, 7-0044	Seal - Micro Adj.	1
---	----------------	-------------------	-------------------	---

8	R257-5	257-5	Washer - Thrust	4
---	---------------	-------	-----------------	---

9	R257-6	257-6	Bearing - Thrust	2
---	---------------	-------	------------------	---

10	R57-5270	57-5270	Spring - Adjusting Handle	1
----	-----------------	---------	---------------------------	---

11	R3296-62	3296-62	Locknut - 1/2-20 LH Jam	1
----	-----------------	---------	-------------------------	---

12	R57-5260	107-7409, 57-5260	Pivot - 1/2-20 - Bed Bar	1
----	-----------------	----------------------	--------------------------	---

13	R52-2890	52-2890	Bushing - Flanged	2
----	-----------------	---------	-------------------	---

14	R62-5510	52-2870, 62-5510	Bushing	2
----	-----------------	---------------------	---------	---

All original equipment manufacturers names and part numbers are used for identification purposes only, and we are in no way implying that our products are original equipment parts. Prices subject to change without notice.



Replaces Toro Reelmaster 2600-D Parts

32in Cutting Unit - Models 03466 & 03467
Reel & Bedknife



Item No	R&R Part No.	OEM Part No.	Description	Qty Req	Order Quantity
15	R302-18	302-18	Zerk - Grease Press Style	1	
16	R71-1360	251-219, 251-253, 251-254, 251-320, 71-1360, 88-7880, 94-3405	Bearing	2	
18	R150475	3-6462	Screw - Bedknife Stainless 5/16-18 x 5/8	12	
<i>Detail Description: Pre-Packaged in bags of 50:</i>					
18	R150476	3-3816, 3-6462, 57-4910	Screw - Bedknife 5/16-18 x 5/8	12	
18	R150477	57-4910	Screw - Bedknife 5/16-18 x 1/2	12	
19	R94-2703	94-2703	Plug - Plastic Spindle Housing	1	
26	R302-5	21-6010, 302-11, 302-37, 302-47, 302-5, 302-57, 302-58, 302-6, 31-0300, 32-9660, 60-0800, 62-3880, 92-4181	Fitting - Grease	4	
27	R3290-55	3290-55	Rivet - 5/32 x 3/8 Pop Rivet	4	
28	R323-2	01-178-0604, 323-2	Bolt - Hex HD 3/8-16 x 1	2	

All original equipment manufacturers names and part numbers are used for identification purposes only, and we are in no way implying that our products are original equipment parts. Prices subject to change without notice.



Replaces Toro Reelmaster 2600-D Parts

32in Cutting Unit - Models 03466 & 03467

Reel & Bedknife



Item No	R&R Part No.	OEM Part No.	Description	Qty Req	Order Quantity
29	R400264	01-150-0180, 01-178-0610, 20-48-AD, 20-48-AGD, 32-9160, 3224-3, 323-29, 323-7, 400264, 908035P	Bolt - Hex HD 3/8-16 x 1-1/4	2	
30	R3254-6	01-166-0010, 01-166-0280, 01-166-0610, 3253-5, 3254-18, 3254-6, 3290-223, 48-9370	Washer - Lock 3/8	3	
33	R110-1718	110-1718	Screw-HHF	4	
33	R400258	01-150-0800, 01-178-0600, 01-178-0606, 20-45-AD, 31-0200, 31-9910, 3224-1, 323-4	Bolt - Hex HD 3/8-16 x 3/4	4	
34	R93-8823	93-8823	Coupling - Motor End	1	
36	R32121-36	32121-36	Pin-Spring	4	
38	R93-8825	93-8825	Coupling - RH Reel	1	
39	R93-8826	93-8826	Coupling - LH Reel	1	
41	R93-8827	93-8827	Spider - Reel Coupling	1	
42	R61-3280	61-3280	Cover - Rubber Side	2	
43	R61-3290	61-3290	Cover - Rubber Center	2	

All original equipment manufacturers names and part numbers are used for identification purposes only, and we are in no way implying that our products are original equipment parts. Prices subject to change without notice.



Replaces Toro Reelmaster 2600-D Parts

32in Cutting Unit - Models 03466 & 03467
Reel & Bedknife



Item No	R&R Part No.	OEM Part No.	Description	Qty Req	Order Quantity
44	R56-9510	56-9510	Bushing - Rubber For Bed Bar / RI	6	
45	R56-9520	56-9520	Bushing - Nyliner	6	
46	R94-4980	94-4980	Backing Bar - Bed Knife	1	
47	R52-2980	52-2980	Housing - Pivot Spa	1	
48	R57-5190	32110-19, 57-5190	Screw - Adjusting	2	
51	R94-4969	94-4969	Shield - Rear Grass 32 in Units	1	
52	R94-5053	94-5053	Shield - Top - Fits 32 in Units	1	
53	R443818	01-191-0813, 3218-18, 3218-5	Nut - 1/2-13 Hex Jam Zinc	2	
55	R99-3404	93-6930, 99-3404	Housing-Bearing	2	
56	R61-0430	61-0430, 61-0430-01	Bracket - Long - Rear Roller	2	
57	R61-0440	61-0440	Bracket - Short - Front Roller	2	
57	R14-4489	14-4489	Bracket - Assy - Front Roller	2	
58	R61-0910	61-0910	Bracket	4	
59	R3296-39	32127-25, 32128-36, 3290-357, 3296-17, 3296-22, 3296-39, 915663P, 99-7443	Locknut - 3/8-16 Nylon	16	

All original equipment manufacturers names and part numbers are used for identification purposes only, and we are in no way implying that our products are original equipment parts. Prices subject to change without notice.



Replaces Toro Reelmaster 2600-D Parts

32in Cutting Unit - Models 03466 & 03467

Reel & Bedknife



Item No	R&R Part No.	OEM Part No.	Description	Qty Req	Order Quantity
60	R3231-25	01-173-0610, 30-9970, 3231-25, 3231-3, 900064P	Bolt - Carriage 3/8-16 x 1-1/4	2	
61	R61-0790	323-57, 61-0790	Bolt - Roller Adjustment	4	
62	R61-0420	61-0420, 61-0420-01	Support - HOC	4	
63	R3295-48	3295-48	Rivet - 3/16 x 3/8 Tub	8	
63	R700382	700382	Rivet - Guard	8	
64	R52-3000	52-3000	Arm - Spring	1	
65	R94-5067	94-5067	Handle - Adjusting	1	
66	R93-8064	93-8064	Decal - Warning	1	
67	R353-949	353-949, 60-3520	O-Ring	1	
68	R29-8870	29-8870	Washer - Adj. Handle	1	
69	R187-0	3256-25, 7-0032	Washer - Flat 7/16 SAE	1	
70	R52-2990	324-25, 52-2990	Bolt - Spring Retainer	1	
71	R93-6855	93-6855	Housing - Bed Bar Adj.	1	
72	R61-1010	61-1010	Housing - Bed Bar	1	
73	R444754	01-189-0518, 3296-4	Locknut - 5/16-24 Center	1	
73	R3296-4	3296-4, 3296-43, 65-9360	Locknut - ESNA 5/16-24	1	

All original equipment manufacturers names and part numbers are used for identification purposes only, and we are in no way implying that our products are original equipment parts. Prices subject to change without notice.



Replaces Toro Reelmaster 2600-D Parts

32in Cutting Unit - Models 03466 & 03467

Reel & Bedknife



Item No	R&R Part No.	OEM Part No.	Description	Qty Req	Order Quantity
74	R3219-2	01-188-0524, 22-12-BJKD, 3219-2, 915720	Nut - 5/16-24 Zinc	1	
77	R323-6	01-150-0010, 01-178-0608, 20-47-AD, 20-47-AGD, 3224-2, 323-6, 49-3510, 908034P, 908332	Bolt - Hex HD 3/8-16 x 1 GR5 YZ	8	
84	R61-1950	61-1950	Washer - Nylon - Bed Bar	1	
85	R62-7120	62-7120	Washer	1	
86	R3256-56	3256-56, 60-4750	Washer	1	
87	R3253-4	01-166-0110, 01-166-0510, 23-10-GD, 24-7170, 30-8520, 3253-4, 48-9350, 48-9360, 48-9570, 68-9420, 99-7577	Washer - Lock 5/16 Zinc	1	
88	R322-3	01-150-1420, 01-178-0506, 20-24-AD, 20-24-AGD, 322-3, 48-9270, 513339, 908017P	Bolt - Hex HD 5/16-18 x 3/4	1	
88	R400184	322-2, 322-3	Screw - 5/16-18 x 3/4 Hex	1	

All original equipment manufacturers names and part numbers are used for identification purposes only, and we are in no way implying that our products are original equipment parts. Prices subject to change without notice.



Replaces Toro Reelmaster 2600-D Parts

32in Cutting Unit - Models 03466 & 03467

Reel & Bedknife



Item No	R&R Part No.	OEM Part No.	Description	Qty Req	Order Quantity
89	R3296-29	1-804256, 3290-357, 3296-29, 915662P	Locknut - 5/16-18 ESNA	4	
89	R32153-3	119-4038, 22-12-AJFD, 32127-35, 32146-5, 32153-3, 3296-18, 3296-29, 3296-31, N/A	Locknut - 5/16-18 ESNA Zinc	4	
90	R3230-1	01-173-0506, 3230-1, 3230-20, 900037P	Bolt - Carriage 5/16-18 x 3/4	4	
93	R61-3790	61-3790	Plate-HOC, Front	2	
94	R61-3800	61-3800	Plate - HOC Rear	2	
95	R93-6960	93-6960	Cover - Bearing Holder	1	
96	R93-6981	93-6981	Spacer	8	
97	R94-3695-01	94-3695, 94-3695-01	Plate - Side Reel RH	1	
98	R94-3697-01	94-3697, 94-3697-01	Plate - Side Reel LH	1	
100	R94-5979	94-5979	Gasket	1	
101	R71-3690	61-0630, 71-3690	Spade - Bent	4	
102	R3290-467	3290-467	Pin-Hair	4	
103	R32144-10	32140-81, 32144-10, 32144-3, 34-140-AMVD	Bolt - 1/4-20 x 3/4 Serrated Hx Wshr	2	

All original equipment manufacturers names and part numbers are used for identification purposes only, and we are in no way implying that our products are original equipment parts. Prices subject to change without notice.



Replaces Toro Reelmaster 2600-D Parts

32in Cutting Unit - Models 03466 & 03467
Reel & Bedknife



Item No	R&R Part No.	OEM Part No.	Description	Qty Req	Order Quantity
104	R94-8945	94-8945	Bushing - Bronze - Link Bar	8	
105	R93-8806	93-8806	Washer-Hardened	16	
106	R323-11	01-150-1440, 01-178-0618, 20-52-AD, 3224-7, 323-11	Bolt - 3/8-16 x 2 1/4 GR5	4	
107	R323-10	01-150-0680, 01-178-0616, 100-6663, 100-8320, 1489, 20-51-AD, 20-51-AGD, 3224-6, 323-10, 323-35, 908336	Bolt - Hex HD 3/8-16 x 2	4	
108	R32128-48	32128-48	Locknut - 7/16-20 Flanged	1	

All original equipment manufacturers names and part numbers are used for identification purposes only, and we are in no way implying that our products are original equipment parts. Prices subject to change without notice.