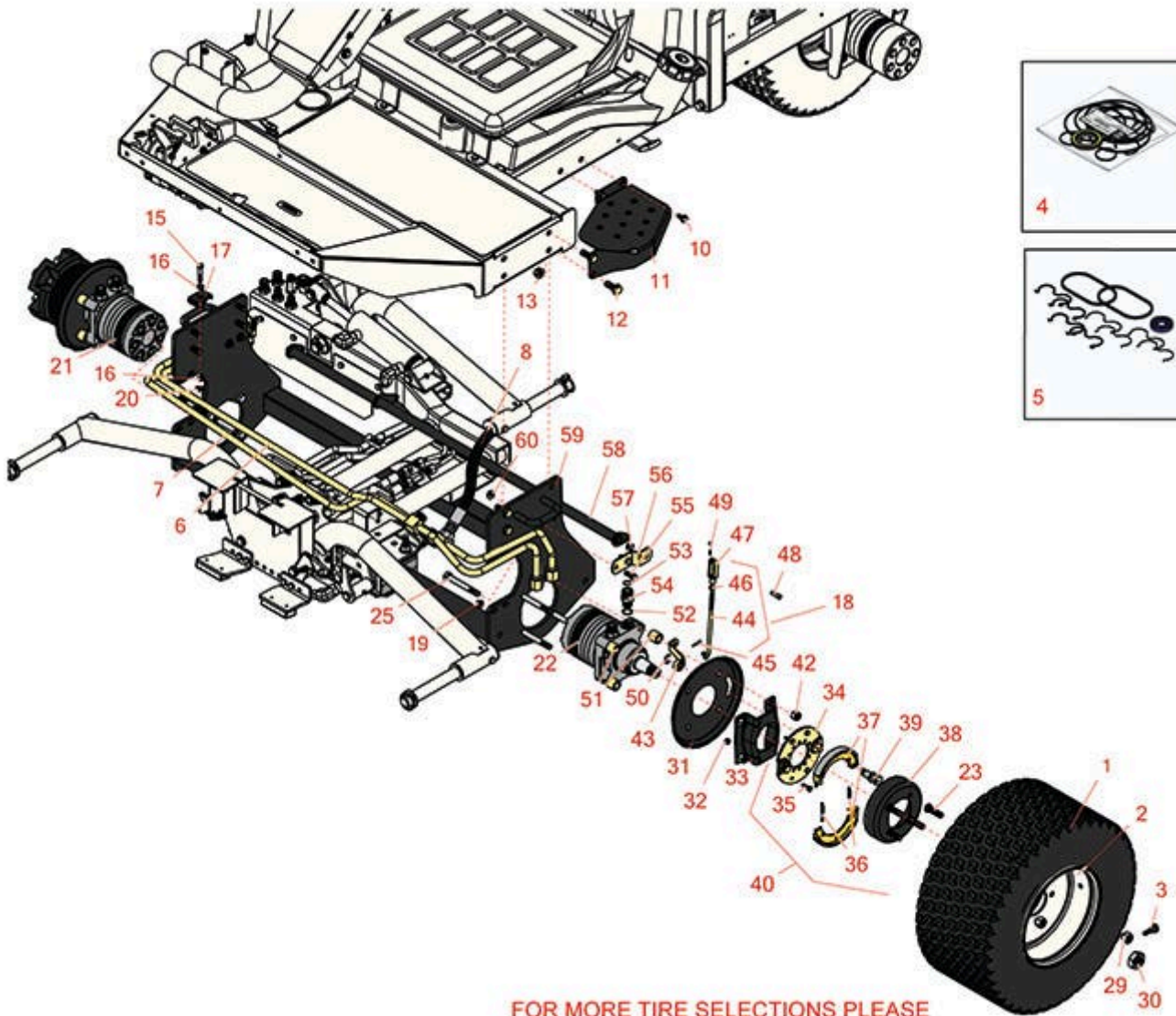




# Replaces Toro Groundsmaster 3505-D Parts

Traction Unit - Model 30826 & 30849  
Front Wheel & Brake



All original equipment manufacturers names and part numbers are used for identification purposes only, and we are in no way implying that our products are original equipment parts. Prices subject to change without notice.



# Replaces Toro Groundsmaster 3505-D Parts

*Traction Unit - Model 30826 & 30849  
Front Wheel & Brake*



Item No	R&R Part No.	OEM Part No.	Description	Qty Req	Order Quantity
<b>Tires</b>					
1	<b>RCT575315</b>	117-5125	Tire - 20x12.00-10 Nhs (4 Ply) Carlisle Turf Trac R/S	2	
2	<b>R104-0452</b>	104-0452	Rim - Wheel 10 x 9 3/4	2	
2	<b>R117-5126</b>	117-5126, 121-3548	Rim - Wheel 10 x 10	2	
3	<b>R232-27</b>	232-27, 232-31	Stem - Valve w/ Cap	2	
<b>Overhaul Kits and Service Tools</b>					
4	<b>R76-0800</b>	100-6131, 76-0800, 94-8178	Seal Kit - Hyd Wheel Motor	1	
5	<b>R107-7819</b>	107-7819	Seal Kit - Fits R105-9872 Hyd Motor	1	
<b>Hoses</b>					
6	<b>R105-1214</b>	105-1214, 95-8834	Hydraulic Hose Assy	1	
7	<b>R95-8783</b>	95-8783	Tube Assy	1	
8	<b>R95-8784</b>	95-8784	Tube Assy	1	
<b>Other Parts Available</b>					
10	<b>R3234-5</b>	3234-5, 62-3310	Bolt - 5/16-18x3/4 Hx Ser Was HD	2	
11	<b>R99-3375-03</b>	99-3375, 99-3375-03	Step	1	
12	<b>R3234-38</b>	3234-38	Bolt - Flanged Hex 1/2-13 x 1-1/4	4	
13	<b>R32128-49</b>	32128-49	Nut - 1/2-13 Hex Flange	4	
15	<b>R19H3130</b>	322-9, 3223-5	Bolt - Hex HD 5/16-18 x 1-3/4	2	

All original equipment manufacturers names and part numbers are used for identification purposes only, and we are in no way implying that our products are original equipment parts. Prices subject to change without notice.



# Replaces Toro Groundsmaster 3505-D Parts

*Traction Unit - Model 30826 & 30849  
Front Wheel & Brake*



Item No	R&R Part No.	OEM Part No.	Description	Qty Req	Order Quantity
16	<b>R453009</b>	01-166-0400, 24-10-BD, 24-9-AD, 32-9650, 3256-2, 3256-23, 3256-3, 3256-67, 3290-217, 3556-3, 4-2390, 7-0152	Washer - Flat 5/16 SAE	4	
17	<b>R56-7971</b>	56-7971	Clamp - Tube	4	
18	<b>R115-6672</b>	115-6672	Brake Lever Assy	2	
19	<b>R104-8301</b>	104-8301, 104-9301, 109-6658, 133-7570	Locknut - 3/8-16 Nylon Flanged	4	
20	<b>R3296-29</b>	1-804256, 3290-357, 3296-29, 915662P	Locknut - 5/16-18 ESNA	2	
21	<b>R110-8786</b>	110-8786, 95-8693	Hydraulic Motor - RH Wheel	1	
22	<b>R110-8785</b>	110-8785	Hydraulic Motor - LH Wheel	1	
<i>Tech Note: Fits all Models 2007 &amp; Newer:</i>					
22	<b>R75-9990</b>	75-9990	Hydraulic Motor - Wheel	1	
<i>Tech Note: Fits Models 30826-2006 Only:</i>					
23	<b>R10-6830</b>	10-6830, 75-9440	Stud - Wheel 1/2-20 x 1 3/4	8	
25	<b>R3274-99</b>	3274-99	Bolt - Hx Soc HD	8	
29	<b>R242-50</b>	242-50	Nut - 1/2-20 Wheel	8	

All original equipment manufacturers names and part numbers are used for identification purposes only, and we are in no way implying that our products are original equipment parts. Prices subject to change without notice.



# Replaces Toro Groundsmaster 3505-D Parts

*Traction Unit - Model 30826 & 30849  
Front Wheel & Brake*



Item No	R&R Part No.	OEM Part No.	Description	Qty Req	Order Quantity
30	<b>R26-3790</b>	26-3790	Nut - Hex - Wheel Motor 1-20	2	
31	<b>R104-0485-03</b>	104-0485-03, 104-0485-0P	Shield - Wheel	2	
32	<b>R301504</b>	2296-42, 301504, 32127-24, 32128-33, 32146-17, 3296-16, 3296-42, 3296-42 , 915661P	Locknut - ESNA 1/4-20	8	
33	<b>R84-2000-03</b>	84-2000, 84-2000-03, 84-2000-0P	Bracket - Brake	2	
34	<b>R70-9870</b>	70-9870	Plate - Backing	2	
35	<b>R321-5</b>	321-31, 321-5	Bolt - Hex HD 1/4-20 x 7/8	8	
36	<b>R70-9880</b>	70-9880	Spring - Brake Shoe	4	
37	<b>R70-9840</b>	70-9840	Shoe - Brake	4	
38	<b>R10-6850</b>	10-6850	Drum - Brake	2	
39	<b>R104-7707</b>	104-7707, 104-7708, 70-9850, 70-9860	Cam - Brake	2	
40	<b>R71-1500</b>	104-7705, 71-1500	Brake Assy	2	
42	<b>RF5003</b>	32127-29, 32131-5, 32132-5, 3296-23	Locknut - ESNA 1/2-13	8	
43	<b>R93-6850</b>	114-2726, 93-6850	Lever - Brake	2	

All original equipment manufacturers names and part numbers are used for identification purposes only, and we are in no way implying that our products are original equipment parts. Prices subject to change without notice.



# Replaces Toro Groundsmaster 3505-D Parts

*Traction Unit - Model 30826 & 30849  
Front Wheel & Brake*



Item No	R&R Part No.	OEM Part No.	Description	Qty Req	Order Quantity
44	<b>R104-4627</b>	104-4627	Rod - Adjusting	2	
45	<b>R1023-4</b>	01-151-0150, 1023-4, 19-6220, 214-14, 215-54, 28-9-D, 3272-4, 3272-6, 513567, 932008P	Pin - Cotter 3/32 x 3/4	2	
46	<b>R3220-2</b>	01-191-0524, 3220-2	Nut - Jam - 5/16-24	2	
47	<b>R282-2</b>	1-303105, 282-2	Yoke	2	
48	<b>R283-1</b>	283-1, 283-13	Pin - Clevis	2	
49	<b>R3272-10</b>	01-151-0120, 105-7512, 3272-10, N/A	Pin - Cotter 1/8 x 3/4	2	
50	<b>R150513</b>	104-7706	E - Clip - Brake Assy	2	
51	<b>R92-1715</b>	100005, 92-1715	Spacer	8	
52	<b>R237-80</b>	237-80, 327-80	O-Ring	4	
53	<b>R237-65</b>	237-65, 237.65	O-Ring	4	
54	<b>R340-7</b>	340-7	Adapter	4	
55	<b>R3234-11</b>	3234-11	Bolt - Hex Washer HD	4	
56	<b>R95-8683</b>	95-8683	Bracket - Pivot	2	

All original equipment manufacturers names and part numbers are used for identification purposes only, and we are in no way implying that our products are original equipment parts. Prices subject to change without notice.



# Replaces Toro Groundsmaster 3505-D Parts

*Traction Unit - Model 30826 & 30849  
Front Wheel & Brake*



Item No	R&R Part No.	OEM Part No.	Description	Qty Req	Order Quantity
57	<b>R256-156</b>	256-156, 256-219	Bushing - Flanged	2	
58	<b>R104-4625-03</b>	104-4625-03	Brake Pivot Shaft	1	
59	<b>R95-8568-03</b>	95-8568, 95-8568-03	Frame - Lower	1	
60	<b>R32128-43</b>	30-8990, 32128-43, 3290-357	Nut - Flanged Whiz - 3/8-16	4	

All original equipment manufacturers names and part numbers are used for identification purposes only, and we are in no way implying that our products are original equipment parts. Prices subject to change without notice.