

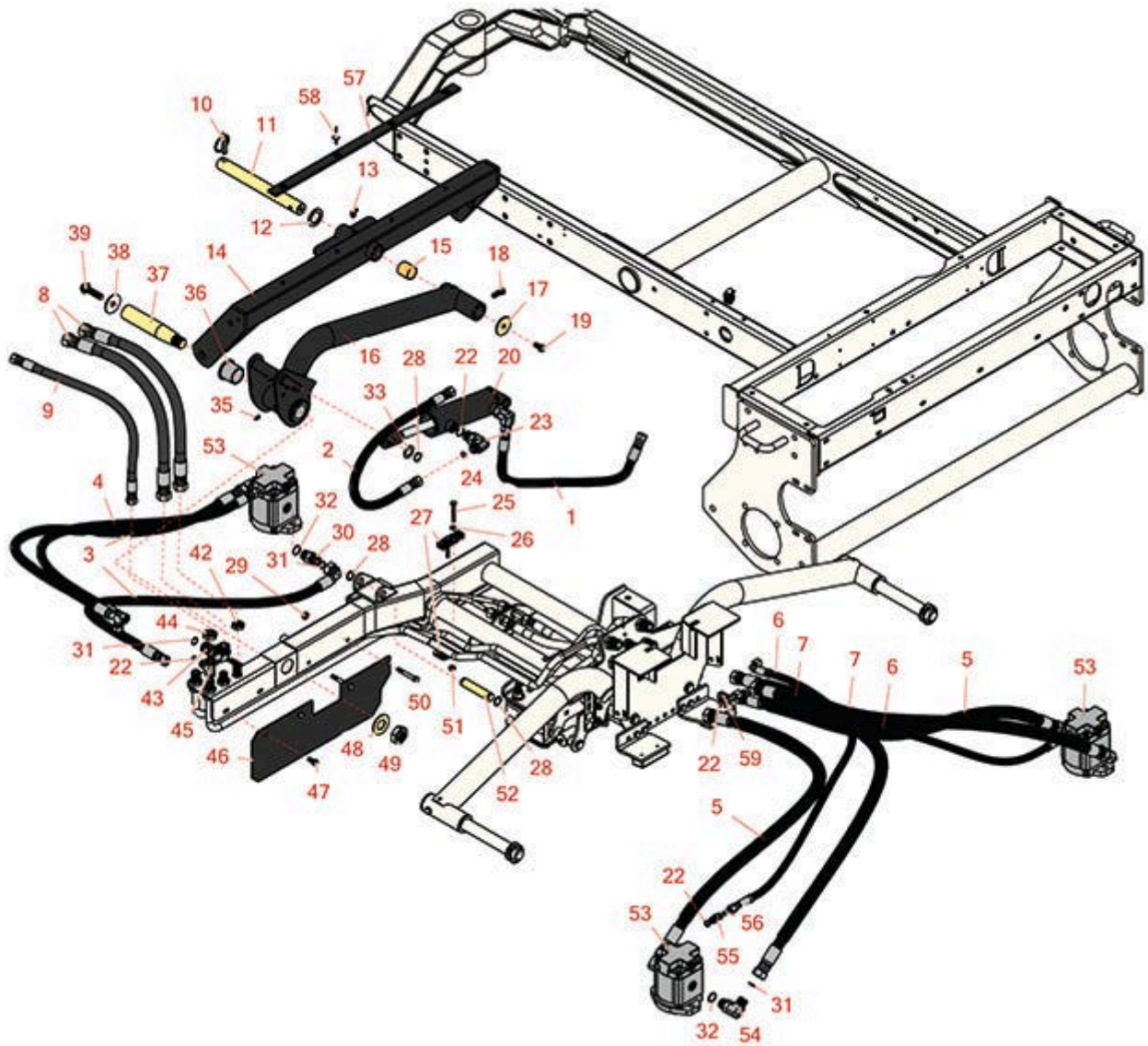


Replaces Toro Groundsmaster 3505-D

Parts

Traction Unit - Model 30826 & 30849

Rear Lift & Motors



All original equipment manufacturers names and part numbers are used for identification purposes only, and we are in no way implying that our products are original equipment parts. Prices subject to change without notice.



Replaces Toro Groundsmaster 3505-D Parts

*Traction Unit - Model 30826 & 30849
Rear Lift & Motors*



Item No	R&R Part No.	OEM Part No.	Description	Qty Req	Order Quantity
Hoses					
1	R104-0407	104-0407	Hydraulic Hose Assy	1	
2	R99-3579	99-3579	Hydraulic Hose Assy	1	
3	R100-4880	100-4880	Hydraulic Hose Assy	2	
4	R100-4876	100-4876	Hydraulic Hose Assy	1	
5	R105-1216	105-1216	Hydraulic Hose Assy	2	
6	R104-1080	104-1080	Hydraulic Hose Assy	2	
7	R105-1215	105-1215	Hydraulic Hose Assy	2	
8	R108-9004	108-9004	Hydraulic Hose Assy	2	
9	R115-3412	115-3412	Hydraulic Hose Assy	1	
Other Parts Available					
10	R283-71	283-71	Pin - Lynch Heavy Duty	1	
11	R100-4944	100-4944	Shaft - Pivot - 10.4 in Hardened	1	
12	R3-6781	3-6781	Washer - Thrust - Castor Wheel	1	
13	R302-60	302-60	Zerk - Grease 90 Deg.	1	
14	R104-4229	104-4229	Rear Carrier Frame	1	
15	R108-4000	108-4000	Bushing	2	
16	R115-3473	100-4938, 115-3473	Lift Arm Assy - Rear	1	
17	R63-7400	63-7400	Washer - Rebound	1	

All original equipment manufacturers names and part numbers are used for identification purposes only, and we are in no way implying that our products are original equipment parts. Prices subject to change without notice.



Replaces Toro Groundsmaster 3505-D Parts

*Traction Unit - Model 30826 & 30849
Rear Lift & Motors*



Item No	R&R Part No.	OEM Part No.	Description	Qty Req	Order Quantity
18	R323-6	01-150-0010, 01-178-0608, 20-47-AD, 20-47-AGD, 3224-2, 323-6, 49-3510, 908034P, 908332	Bolt - Hex HD 3/8-16 x 1 GR5 YZ	1	
19	R400258	01-150-0800, 01-178-0600, 01-178-0606, 20-45-AD, 31-0200, 31-9910, 3224-1, 323-4, 400258	Bolt - Hex HD 3/8-16 x 3/4	1	
20	R112-9916	108-9033, 112-9916	Hydraulic Cylinder	1	
22	R237-22	107-8844, 237-22, 237-78	O-Ring	13	
23	R340-77	340-100, 340-77, 95-7889	Hydraulic Fitting	2	
24	R237-42	237-42, 31-4160	O-Ring	2	
25	R400120	01-150-0990, 01-178-0416, 02-150-0990, 321-11, 3222-4, 33114-010, 33114-060, 513327, 908470	Bolt - Hex HD 1/4-20 x 2	2	

All original equipment manufacturers names and part numbers are used for identification purposes only, and we are in no way implying that our products are original equipment parts. Prices subject to change without notice.



Replaces Toro Groundsmaster 3505-D Parts

*Traction Unit - Model 30826 & 30849
Rear Lift & Motors*



Item No	R&R Part No.	OEM Part No.	Description	Qty Req	Order Quantity
26	R3256-22	24-9-BD, 3-1032, 3256-1, 3256-22, 93-0954, 93-0989	Washer - Flat 1/4 Yellow	2	
27	R99-3641	99-3641	Clamp - Tube	2	
28	R32120-93	32120-93	Snap Ring - HD	3	
29	R445722	30-8980, 32128-2, 32128-20, 32128-20, 445722	Nut - Serrated Washer	2	
30	R340-7	340-7	Adapter	1	
31	R237-65	237-65, 237.65	O-Ring	4	
32	R237-80	237-80, 327-80	O-Ring	4	
33	R3-6498	3--6498, 3-6498, 47-8270	Washer - Thrust	1	
35	R302-5	21-6010, 302-11, 302-37, 302-47, 302-5, 302-57, 302-58, 302-6, 31-0300, 32-9660, 60-0800, 62-3880, 92-4181	Fitting - Grease	3	
36	R69-6470	69-6470	Bushing - Flanged	2	

All original equipment manufacturers names and part numbers are used for identification purposes only, and we are in no way implying that our products are original equipment parts. Prices subject to change without notice.



Replaces Toro Groundsmaster 3505-D Parts

*Traction Unit - Model 30826 & 30849
Rear Lift & Motors*



Item No	R&R Part No.	OEM Part No.	Description	Qty Req	Order Quantity
37	R95-8990	95-8990	Shaft - Pivot - Rear	1	
38	R75-7730	75-7730	Washer - Thrust	1	
39	R3234-27	3234-27	Bolt - 1/2-13 x 2 Hex	1	
42	R340-70	340-70	Nut - Lock	2	
43	R340-72	340-72, 96-0865	Fitting-Bulkhead,	1	
44	R340-74	340-74	Locknut - Bulkhead	2	
45	R340-68	340-120, 340-68	Fitting - Tee - Bulkhead	2	
46	R104-0453-03	104-0453-03, 95-8591-03	Guard	1	
47	R322-3	01-150-1420, 01-178-0506, 20-24-AD, 20-24-AGD, 322-3, 48-9270, 513339, 908017P	Bolt - Hex HD 5/16-18 x 3/4	2	
48	R86-1480	86-1480	Washer - 1 3/4 x 1 x 3/16	1	
49	R3220-9	3220-9	Nut-Jam	1	
50	R322-12	01-150-0730, 01-178-0520, 322-12	Bolt - 5/16-18 x 2 1/2 Hx HD	2	
51	R301504	2296-42, 301504, 32127-24, 32128-33, 32146-17, 3296-16, 3296-42, 3296-42 , 915661P	Locknut - ESNA 1/4-20	2	

All original equipment manufacturers names and part numbers are used for identification purposes only, and we are in no way implying that our products are original equipment parts. Prices subject to change without notice.



Replaces Toro Groundsmaster 3505-D Parts

*Traction Unit - Model 30826 & 30849
Rear Lift & Motors*



Item No	R&R Part No.	OEM Part No.	Description	Qty Req	Order Quantity
52	R95-8575	95-8575	Pin	1	
53	R117-5141	105-9820, 105-9872, 117-5141	Hydraulic Motor	3	
54	R340-17	340-17	No 10 Male Orfs x No 10 Male Orb	5	
55	R340-92	340-92	Hydraulic Fitting - Striaight	3	
56	R237-21	237-21, 327-21	O-Ring	3	
57	R95-8936	95-8936	Strip - Wear	1	
58	R3269-18	3269-18	Rivet - Pop 3/16 Large Flange	4	
59	R99-3477	99-3477	Fitting-Tee	1	

All original equipment manufacturers names and part numbers are used for identification purposes only, and we are in no way implying that our products are original equipment parts. Prices subject to change without notice.