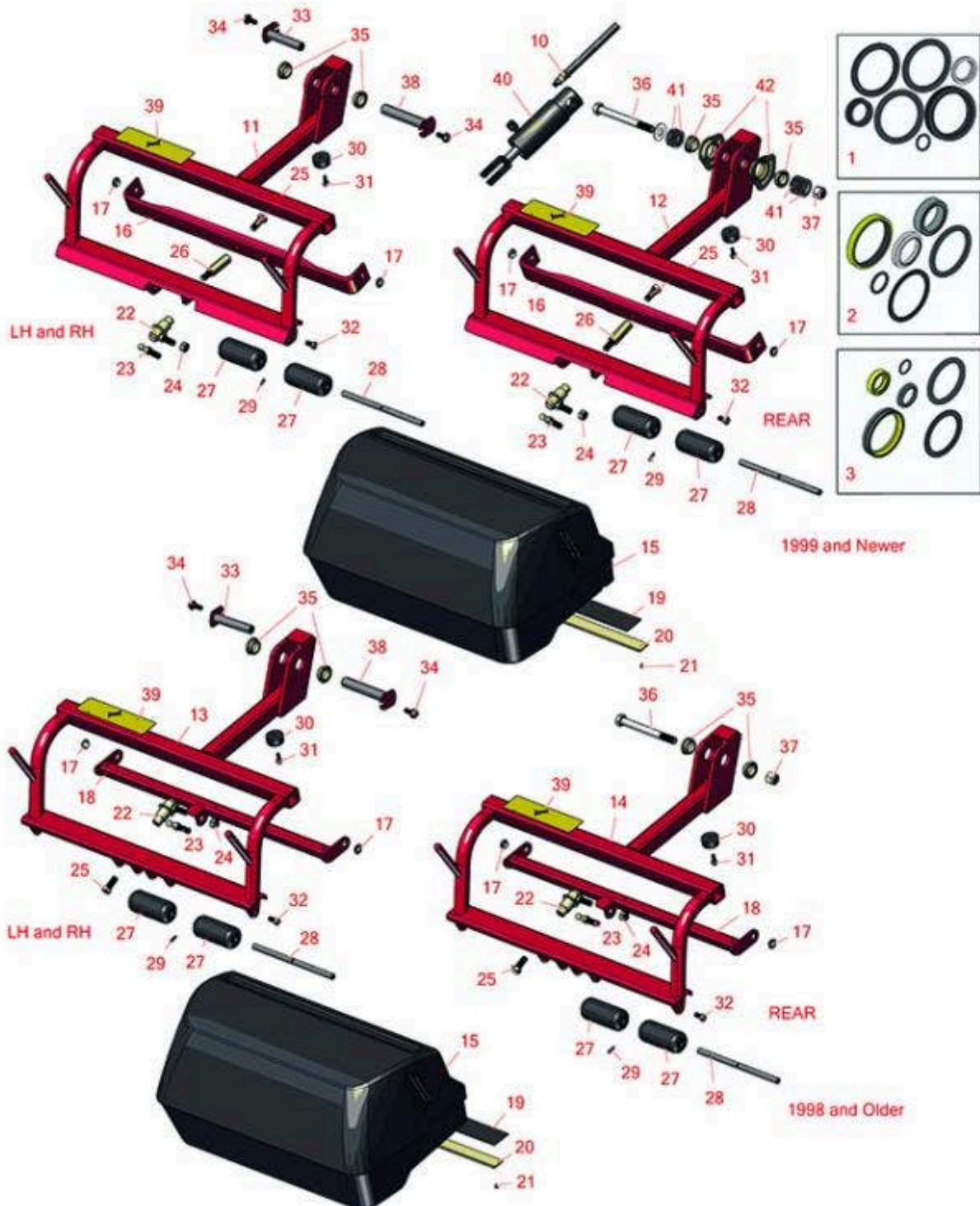




Replaces Toro Greensmaster 3200 & 3200-D Parts

Traction Unit
Pull Frame, Roller & Basket



All original equipment manufacturers names and part numbers are used for identification purposes only, and we are in no way implying that our products are original equipment parts. Prices subject to change without notice.



Replaces Toro Greensmaster 3200 & 3200-D Parts

Traction Unit
Pull Frame, Roller & Basket



Item No	R&R Part No.	OEM Part No.	Description	Qty Req	Order Quantity
---------	--------------	--------------	-------------	---------	----------------

Overhaul Kits

1	R105-3836	105-3836	Seal Kit - Fits R105-3820 Cylinder	1	
2	R99-8162	99-8162	Seal Kit - Fits R99-8158 Cylinder	1	
3	R99-8163	99-8163	Seal Kit - Fits R99-8157 Cylinder	1	

Hoses

10	R94-3477	94-3477	Hydraulic Hose Assy - Rear Cylinder	1	
10	R93-2258	93-2258	Hydraulic Hose Assy - Rear Cylinder	2	
10	R93-2254	93-2254	Hydraulic Hose Assy - Front RH Cylinder	1	
10	R93-2255	93-2255	Hydraulic Hose Assy - Front LH Cylinder	1	
10	R93-2256	93-2256	Hydraulic Hose Assy - Front LH Cylinder	1	
10	R93-2264	93-2264	Hydraulic Hose Assy	2	
10	R94-1328	94-1328	Hydraulic Hose Assy - Rear Reel Motor	1	
10	R95-2907	95-2907	Hydraulic Hose Assy - Rear Reel Motor	2	
10	R95-2908	105-5403, 93-2262, 95-2908	Hydraulic Hose Assy - Reel Motor	2	
10	R95-2909	93-2263, 95-2909	Hydraulic Hose Assy - Reel Motor	1	

Other Parts available

11	R99-1454	98-2193, 99-1451-01, 99-1454	Pull Frame - LH	1	
----	-----------------	------------------------------------	-----------------	---	--

Tech Note: Year 1999:

All original equipment manufacturers names and part numbers are used for identification purposes only, and we are in no way implying that our products are original equipment parts. Prices subject to change without notice.



Replaces Toro Greensmaster 3200 & 3200-D Parts

*Traction Unit
Pull Frame, Roller & Basket*



Item No	R&R Part No.	OEM Part No.	Description	Qty Req	Order Quantity
11	R99-1455	98-2192, 99-1452, 99-1452-01, 99-1455	Pull Frame - RH	1	
<i>Tech Note: Year 1999:</i>					
12	R99-1453	98-2191, 99-1450, 99-1453	Pull Frame - Center	1	
<i>Tech Note: Year 1999:</i>					
13	R94-9625	93-2369, 94-9625	Pull Frame - RH	1	
<i>Tech Note: Years 1998 & Older:</i>					
13	R94-9624	93-2360, 93-2360-01, 94-9624	Pull Frame - LH	1	
<i>Tech Note: Years 1998 & Older:</i>					
14	R94-9626	93-2350, 94-9626, 94-9646, 98-4626, 99-5660	Pull Frame - Center	1	
<i>Tech Note: Years 1998 & Older:</i>					
15	R94-8172	93-2553, 94-8172, 98-2199	Grass Basket	3	
15	R98-2198	98-2198	Grass Basket	3	
16	R98-4624-01	98-4624, 98-4624-01	Arm - Pull RH / LH	2	
<i>Tech Note: Models 04380 & 04381:</i>					
17	R93-2368	93-2368	Bushing - Flanged Plastic	6	

All original equipment manufacturers names and part numbers are used for identification purposes only, and we are in no way implying that our products are original equipment parts. Prices subject to change without notice.



Replaces Toro Greensmaster 3200 & 3200-D Parts

Traction Unit
Pull Frame, Roller & Basket



Item No	R&R Part No.	OEM Part No.	Description	Qty Req	Order Quantity
18	R94-3483-01	94-3483, 94-3483-01	Arm - Pull	3	
<i>Tech Note: Model 04380:</i>					
19	R93-2551	93-2551	Seal - Grass Basket	3	
20	R95-2903	95-2903	Bracket - Angle Grass Basket	3	
21	R3290-382	3269-15, 3290-382	Rivet - 5/32 x 1/2 Pop Rivet	24	
21	R3290-55	3290-50, 3290-55	Rivet - 5/32 x 3/8 Pop Rivet	24	
22	R104-7719	104-7719, 94-9647	Ball Joint Assy	3	
23	R94-9648	94-9648	Stud - Ball 1/2-20	3	
24	R3296-19	30-5020, 32118-3, 32127-26, 32127-41, 3296-19, 60-6530	Locknut - 1/2-20	3	
<i>Tech Note: Pull frame ball stud:</i>					
25	R98-2178	98-2178	Bolt - Soc HD Cap 1/2-20 x 1-1/4	3	
26	R98-0632	98-0632	Adapter - Pull Link	3	
27	R104-2091	104-2091	Basket Roller	12	
28	R104-2078	104-2078	Shaft - Basket Roller	6	
29	R32121-6	32121-6	Pin - Roll 3/16 x 1-1/4	6	
30	R94-4548	94-4548	Rubber Bumper	3	

All original equipment manufacturers names and part numbers are used for identification purposes only, and we are in no way implying that our products are original equipment parts. Prices subject to change without notice.



Replaces Toro Greensmaster 3200 & 3200-D Parts

*Traction Unit
Pull Frame, Roller & Basket*



Item No	R&R Part No.	OEM Part No.	Description	Qty Req	Order Quantity
31	R49-2040	32104-42, 32104-95, 32144-44, 49-2040	Bolt - Hex Washer 1/4-20 x 3/4	3	
32	R400294	3211-2	Screw - 3/8 24 x 3/4 Hex C/Zinc	6	
33	R10-6060	10-6060, 120-3199	Pin - Pivot 3-7/8 Long	2	
34	R32144-14	32104-32, 32104-49, 32144-14	Bolt - Hex Washer 5/16-18 x 5/8	6	
35	R94-9610	93-2361, 94-9610, 98-2197	Bushing - Flanged Carrier Frame	6	
35	R98-2197	98-2197	Bushing - Flanged Carrier Frame	6	
36	R327-17	327-17	Axle - Caster Fork 5/8-11 x 6	1	
37	R3296-53	3296-53	Locknut - 5/8-11 ESNA Yellow	1	
38	R94-8198	93-2380, 94-8198	Pin - Pivot 5-1/4	2	
39	R93-8064	93-8064	Decal - Warning	3	
40	R105-3820	105-3820, 94-6357, 99-4262, 99-8157	Hydraulic Cylinder - Rear	1	
40	R105-3821	105-3821, 93-2246, 98-4605, 99-4263, 99-8158	Hydraulic Cylinder - LH / RH	2	
41	R63-2290	63-2290	Washer - Thrust	9	
42	R98-4618	98-4618	Bushing - Eccentric	2	

All original equipment manufacturers names and part numbers are used for identification purposes only, and we are in no way implying that our products are original equipment parts. Prices subject to change without notice.