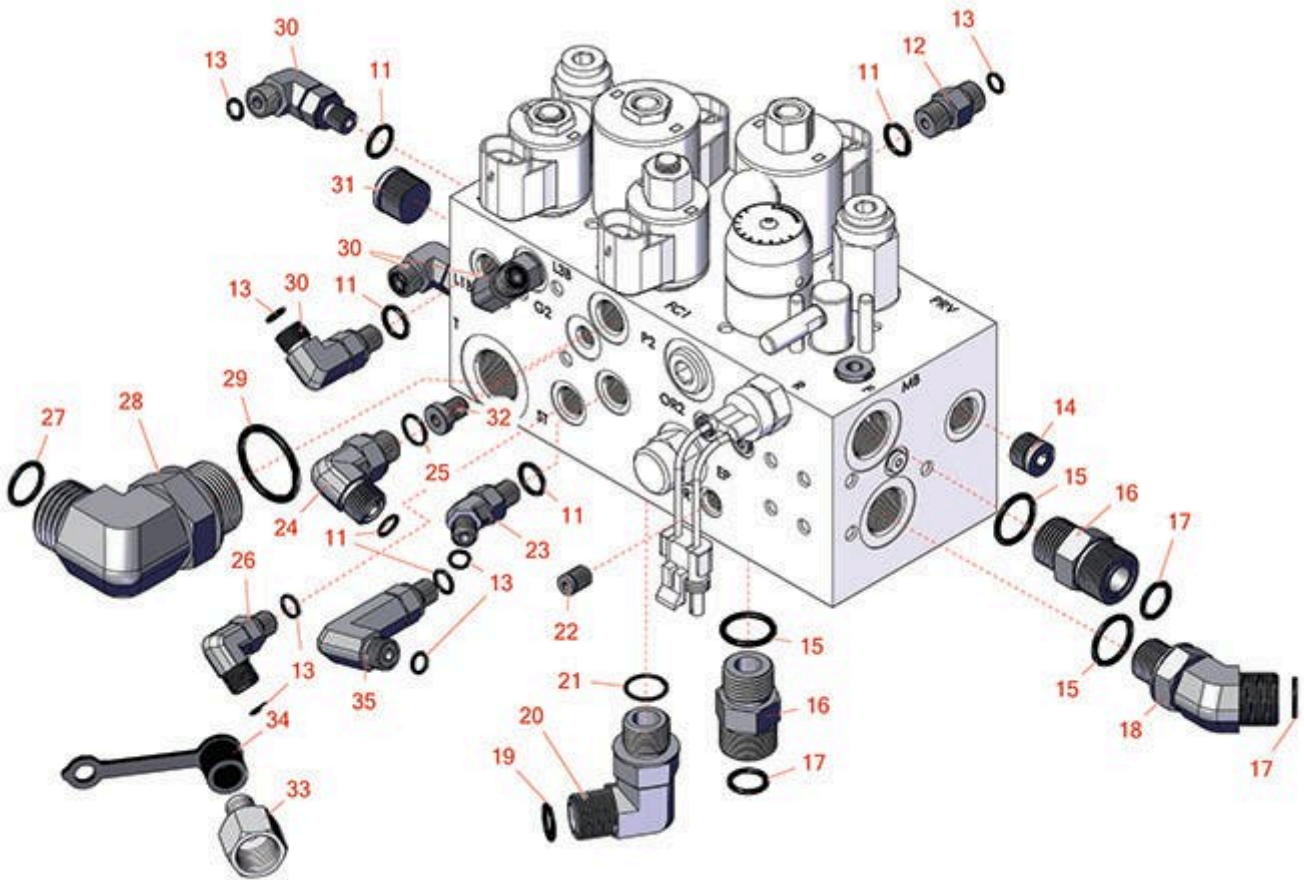




Replaces Toro Greensmaster 3150-Q

Parts

*Traction Unit
Hydraulic Manifold*



All original equipment manufacturers names and part numbers are used for identification purposes only, and we are in no way implying that our products are original equipment parts. Prices subject to change without notice.



Replaces Toro Greensmaster 3150-Q

Parts

*Traction Unit
Hydraulic Manifold*



Item No	R&R Part No.	OEM Part No.	Description	Qty Req	Order Quantity
11	R237-22	107-8844, 237-22, 237-78	O-Ring	7	
12	R340-92	340-92	Hydraulic Fitting - Striaight	1	
13	R237-21	237-21, 327-21	O-Ring	5	
14	R106-1026	106-1026	Plug-Hyd	5	
15	R237-80	237-80, 327-80	O-Ring	3	
16	R340-7	340-7	Adapter	2	
17	R237-65	237-65, 237.65	O-Ring	2	
18	R340-14	340-14, 96-0861	Hydraulic Fitting - 45 Deg	1	
19	R237-30	23-6320, 237-30	O-Ring - Seal	1	
20	R340-98	340-98	Hydraulic Fitting	1	
21	R237-79	237-79	O-Ring	1	
22	R106-1025	106-1025	Plug - Hyd	13	
23	R340-103	340-103, 340-137	Hydraulic Fitting - 45 Deg	1	
24	R340-77	340-100, 340-77, 95-7889	Hydraulic Fitting	2	
25	R237-42	237-42, 31-4160	O-Ring	1	
26	R340-97	340-97	Hydraulic Fitting - 90 Deg	1	

All original equipment manufacturers names and part numbers are used for identification purposes only, and we are in no way implying that our products are original equipment parts. Prices subject to change without notice.



Replaces Toro Greensmaster 3150-Q

Parts

*Traction Unit
Hydraulic Manifold*



Item No	R&R Part No.	OEM Part No.	Description	Qty Req	Order Quantity
27	R237-58	237-58	O-Ring	1	
28	R340-142	340-142, 95-1692	Hydraulic Fitting - 90 Deg	1	
29	R237-146	237-146, 340-146	O-Ring	1	
30	R340-132	340-132	Hydraulic Fitting - 90 Deg	3	
31	R106-1027	106-1027	Plug-Hyd	2	
32	R353-990	353-990	Plug	2	
33	R100-5616	100-5616	Hydraulic Fitting	1	
34	R354-79	354-79	Cap-Dust	1	
35	R100-7695	100-7695	Adapter-Hyd	2	

Tech Note: Ser# 260000001-260999999:

All original equipment manufacturers names and part numbers are used for identification purposes only, and we are in no way implying that our products are original equipment parts. Prices subject to change without notice.