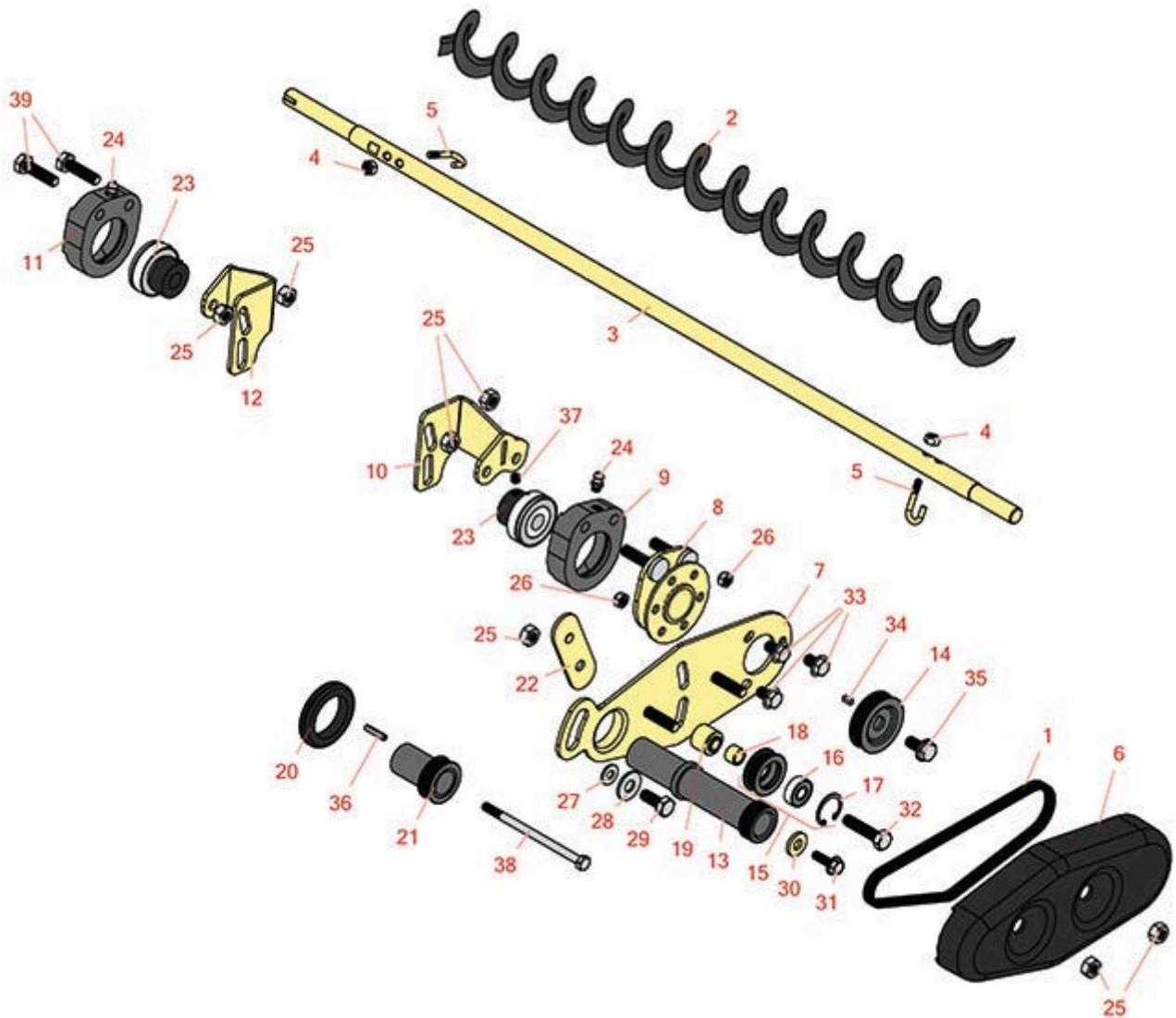




Replaces Toro Greensmaster 3150-Q Parts



DPA Cutting Unit - Models 04610, 04611 & 04616
Rear Roller Brush - Model 04640



All original equipment manufacturers names and part numbers are used for identification purposes only, and we are in no way implying that our products are original equipment parts. Prices subject to change without notice.



Replaces Toro Greensmaster 3150-Q Parts

DPA Cutting Unit - Models 04610, 04611 & 04616
Rear Roller Brush - Model 04640



Item No	R&R Part No.	OEM Part No.	Description	Qty Req	Order Quantity
Belts					
1	R105-5720	105-5720	Belt - Poly V	1	
Other Parts Available					
2	R105-6792	104-1829, 105-6792	Brush - Rear Roller	1	
3	R105-5736	105-5736	Shaft-Brush	1	
4	R3296-2	32127-10, 3296-2, 9157404	Nut - #10 Lock	2	
5	R104-1830	104-1830	Bolt - J	2	
6	R105-5719	105-5719	Cover - Rear Brush	1	
7	R105-5741	105-5741	Plate Assy	1	
8	R105-5725	105-5725	Adapter Assy	1	
9	R105-5730	105-5730	Housing - Bearing LH	1	
10	R112-9243	112-9243	Bracket - Brush LH	1	
11	R105-5729	105-5729	Housing - Bearing RH	1	
12	R112-9245	112-9245	Bracket - Brush RH	1	
13	R105-5722	105-5722	Pulley - Driver	1	
14	R106-6917	106-6917	Pulley - Driven	1	
15	R104-1834	104-1820, 104-1834	Idler Bearing - Assy	1	
16	R251-259	251-259, 251-307	Bearing - Ball	1	
17	R104-4727	104-4727	Ring - Retaining	1	

All original equipment manufacturers names and part numbers are used for identification purposes only, and we are in no way implying that our products are original equipment parts. Prices subject to change without notice.



Replaces Toro Greensmaster 3150-Q Parts



*DPA Cutting Unit - Models 04610, 04611 & 04616
Rear Roller Brush - Model 04640*

Item No	R&R Part No.	OEM Part No.	Description	Qty Req	Order Quantity
18	R105-5723	105-5723	Spacer - Tube	1	
19	R105-5724	105-5724	Plate - Plug	2	
20	R240-7	240-7	Grommet - Rubber - 2 in OD	1	
21	R106-6915	106-6915	Pulley Assy	1	
22	R105-5742	105-5742	Spacer - Shoulder	1	
23	R104-1842	104-1842	Bearing - Roller	2	
24	R302-5	21-6010, 302-11, 302-37, 302-47, 302-5, 302-57, 302-58, 302-6, 31-0300, 32-9660, 60-0800, 62-3880, 92-4181	Fitting - Grease	2	
25	R14M7298	104-2612, 33004-00	Nut - 8mm x 1.25 Flanged	11	
26	R33023-00	33023-00, 48-7900, 49-7810	Locknut - ESNA 6mm x 1.0	3	
27	R82-4240	82-4240	Spacer - Bearing	1	

All original equipment manufacturers names and part numbers are used for identification purposes only, and we are in no way implying that our products are original equipment parts. Prices subject to change without notice.



Replaces Toro Greensmaster 3150-Q Parts



*DPA Cutting Unit - Models 04610, 04611 & 04616
Rear Roller Brush - Model 04640*

Item No	R&R Part No.	OEM Part No.	Description	Qty Req	Order Quantity
28	R453009	01-166-0400, 24-10-BD, 24-9-AD, 32-9650, 3256-2, 3256-23, 3256-3, 3256-67, 3290-217, 3556-3, 4-2390, 7-0152	Washer - Flat 5/16 SAE	1	
29	R66-3160	33114-020, 43-0110, 48-7710, 66-3160	Bolt - Flanged Hex HD	1	
30	R105-5769	105-5769	Washer	1	
31	R33103-020	33103-020	Bolt - Hex Washer M6-1.0 x 20	1	
32	R33114-035	33114-035	Bolt	1	
33	R33103-012	33103-012	Bolt - Flanged Hx HD	3	
34	R95-9619	95-9619	Key - Square 1/8 x 1/8 x 5/16	1	
35	R33104-016	33104-016	Bolt - Hx HD Fl	1	
36	R32121-23	32121-23	Pin - Roll 5/32 x 3/4	1	
37	R3245-1	244-19, 32104-67, 3245-1	Screw - Set 1/4-20 x 1/4	1	
38	R106-6916	106-6916	Bolt	1	
39	R33114-030	33114-030, 42-9520, 48-7730	Bolt - Hex HD M8-1.25 x 30	2	

All original equipment manufacturers names and part numbers are used for identification purposes only, and we are in no way implying that our products are original equipment parts. Prices subject to change without notice.