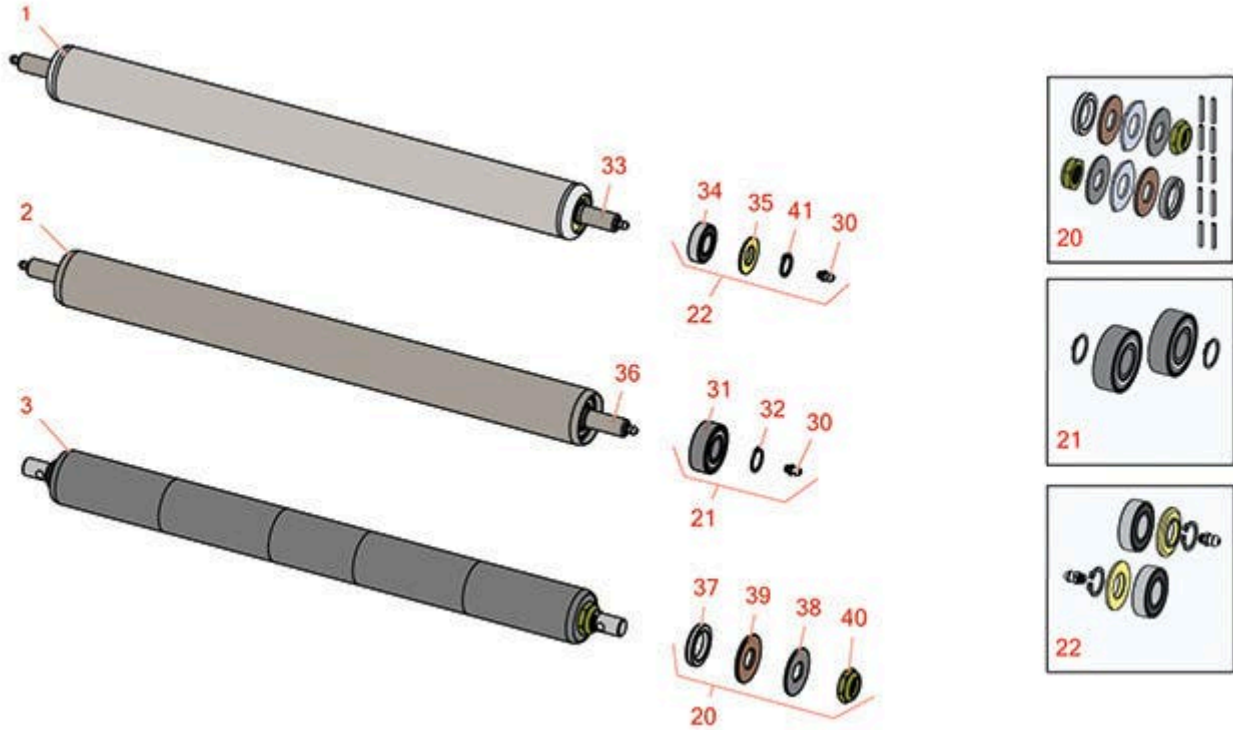




Replaces Toro Greensmaster 3150-Q Parts

4-Bolt Cutting Unit - Models 04470, 04471, 04480 & 04481
Rear Rollers



All original equipment manufacturers names and part numbers are used for identification purposes only, and we are in no way implying that our products are original equipment parts. Prices subject to change without notice.



Replaces Toro Greensmaster 3150-Q Parts

4-Bolt Cutting Unit - Models 04470, 04471, 04480 & 04481
Rear Rollers



Item No	R&R Part No.	OEM Part No.	Description	Qty Req	Order Quantity
---------	--------------	--------------	-------------	---------	----------------

R&R Rear Rollers

1	R95-2910	95-2910	Roller - Smooth Tubular Steel	0
---	-----------------	---------	-------------------------------	---

Tech Note: Constructed with a through shaft and greasable ball bearings.:

2	R93-2465	93-2465	Roller - Smooth Tubular Steel	0
---	-----------------	---------	-------------------------------	---

Tech Note: Constructed with a through shaft and ball bearings.:

3	R150270		Roller - Smooth UHMW Polyethylene	0
---	----------------	--	-----------------------------------	---

Tech Note: Machined from solid UHMW, this low maintenance roller uses a 1" solid stainless steel shaft and requires no grease. UHMW material prevents build-up of debris.:

Overhaul Kits

20	R101395		Overhaul Kit - UHMW Roller	0
----	----------------	--	----------------------------	---

Tech Note: Fits all R&R 2" Dia. Black UHMW Polyethylene Rollers. Includes 10 ea.: R150322 Roll Pins; 2 ea.: R3296-15 Locknuts, R150347T Teflon Seals, R150333 Thrust Washers, & R150334A Bronze Thrust Washers:

21	R107-1591	107-1591	Overhaul Kit - Roller	0
----	------------------	----------	-----------------------	---

Tech Note: Includes 2 ea: R458013 Retaining Rings & R93-2559 Bearings:

22	R107-1593	107-1593	Overhaul Kit - Roller	0
----	------------------	----------	-----------------------	---

Tech Note: Includes 2 ea: R302-5 Grease Fittings, R32151-12 Retaining Rings, R85-7190 Washers & R85-9970 Bearings:

Other Parts Available

All original equipment manufacturers names and part numbers are used for identification purposes only, and we are in no way implying that our products are original equipment parts. Prices subject to change without notice.



Replaces Toro Greensmaster 3150-Q Parts

4-Bolt Cutting Unit - Models 04470, 04471, 04480 & 04481
Rear Rollers



Item No	R&R Part No.	OEM Part No.	Description	Qty Req	Order Quantity
30	R302-5	21-6010, 302-11, 302-37, 302-47, 302-5, 302-57, 302-58, 302-6, 31-0300, 32-9660, 60-0800, 62-3880, 92-4181	Fitting - Grease	4	
31	R93-2559	93-2559	Bearing	2	
32	R458013	30-0580, 32120-72, 458013, 93-2525, 936125	Ring - Retaining	2	
33	R95-2912	95-2912	Shaft - Roller	1	
34	R85-9970	85-9970	Bearing	2	
35	R85-7190	85-7190	Washer - Shield	2	
36	R93-2466	93-2466	Shaft - Rear Roller	1	
37	R150347T		Seal - Nonstick Lip	2	
38	R150333		Washer - Flat Keyed Outer SS	2	
39	R150334A		Washer - Thrust SAE660 Bronze	2	
40	R3296-15	116-7306, 32118-5, 32127-23, 32127-47, 3296-15	Locknut - 3/4-16 Nylon Jam	2	
41	R32151-12	32151-12	Ring - Retaining 11/16	2	

All original equipment manufacturers names and part numbers are used for identification purposes only, and we are in no way implying that our products are original equipment parts. Prices subject to change without notice.