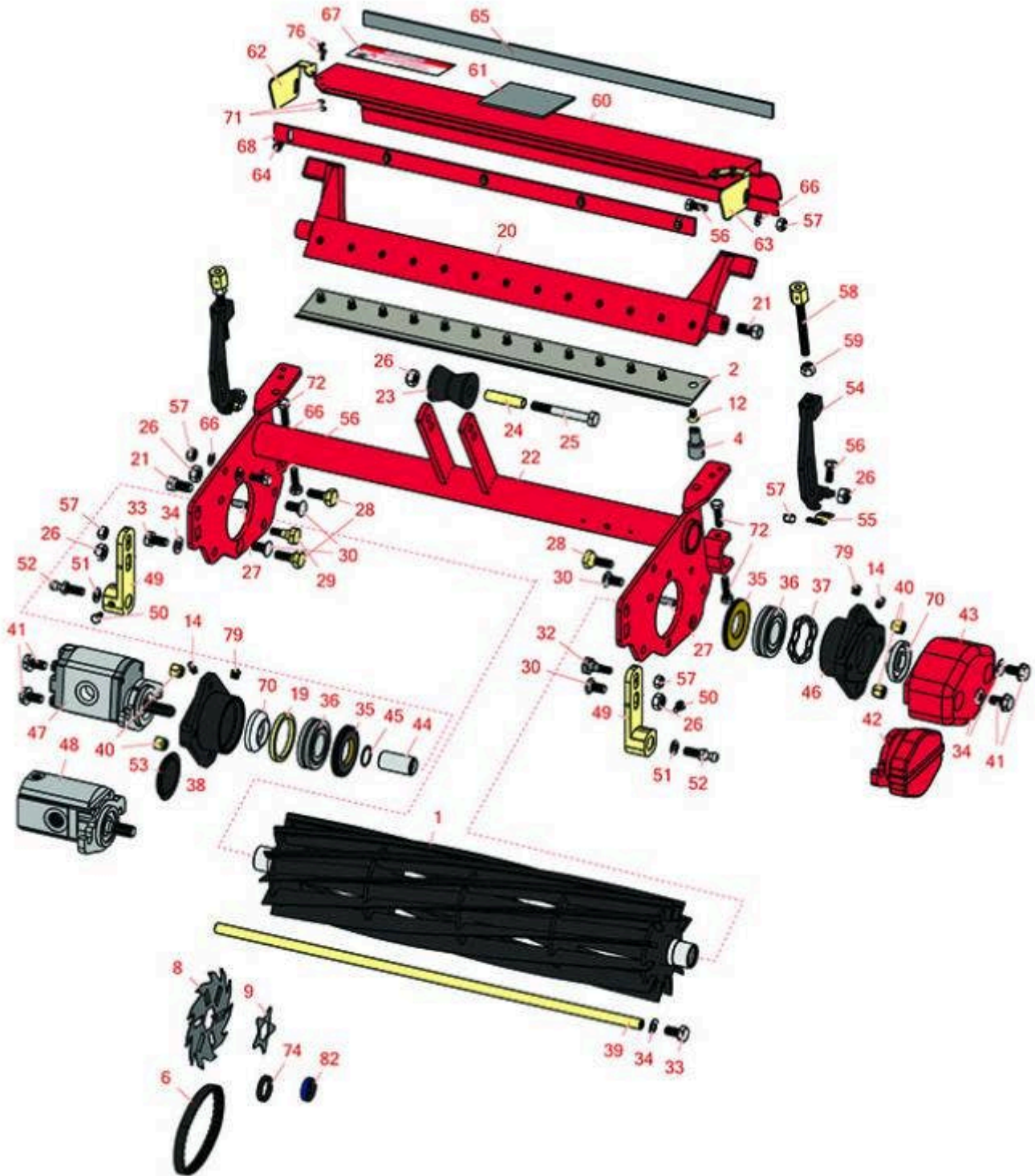
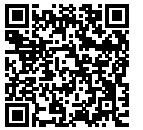




# Replaces Toro Greensmaster 3150-Q Parts

4-Bolt Cutting Unit - Models 04470, 04471, 04480 & 04481  
Reel & Bedknife



All original equipment manufacturers names and part numbers are used for identification purposes only, and we are in no way implying that our products are original equipment parts. Prices subject to change without notice.



# Replaces Toro Greensmaster 3150-Q Parts

4-Bolt Cutting Unit - Models 04470, 04471, 04480 & 04481  
Reel & Bedknife



Item No	R&R Part No.	OEM Part No.	Description	Qty Req	Order Quantity
<b>R&amp;R Reels, Lifetime Guaranteed</b>					
1	<b>R94-8037</b>	94-4357, 94-8037	Reel - 11 Blade	1	
1	<b>R94-4356</b>	94-4356, 94-8039	Reel - 8 Blade	1	
<b>R&amp;R Bedknives, Lifetime Guaranteed</b>					
2	<b>R93-4262</b>	65-8250, 93-4262, 93-4263	Bedknife - Micro Cut .062 - .187 HOC	1	
2	<b>R108-4303</b>	104-7720, 108-4303	Bedknife - Micro Cut Extended .062 - .187 HOC	3	
2	<b>R99-4299</b>	99-4299	Bedknife - Tournament Extended	3	
2	<b>R93-4263</b>	63-8560, 66-9320, 93-4263, 93-6039	Bedknife - Tournament Cut .125 - .500 HOC	1	
2	<b>R93-4264</b>	57-4960, 63-8470, 93-4264	Bedknife - Low Cut .187 - 1.00 HOC	1	
2	<b>R94-6392</b>	62-2500, 94-6392	Bedknife - High Cut .312 - 1.00 HOC	1	
2	<b>R150466</b>	63-8600, 64-6393, 94-6393	Bedknife - Super Thick .312 - 1.00 HOC	1	
2	<b>R108-4302</b>	108-4301, 108-4302	Bedknife - Tournament Cut Extended .125 - .500 HOC	0	
<b>R&amp;R Razor Tool Steel Bedknives, Lifetime Guaranteed</b>					
2	<b>R115-1881</b>	115-1881	Bedknife - Razor Tool Steel - 21 Tournament Cut .125 - .500 HOC	1	

All original equipment manufacturers names and part numbers are used for identification purposes only, and we are in no way implying that our products are original equipment parts. Prices subject to change without notice.



# Replaces Toro Greensmaster 3150-Q Parts

4-Bolt Cutting Unit - Models 04470, 04471, 04480 & 04481  
Reel & Bedknife



Item No	R&R Part No.	OEM Part No.	Description	Qty Req	Order Quantity
<i>Tech Note: Razor Tool Steel Bedknives are constructed from high grade tool steel for extended life and optimum cut.:</i>					
2	<b>R115-1880</b>	115-1880	Bedknife - Razor Tool Steel - 21 Micro Cut .062 - .187 HOC	1	
<i>Tech Note: Razor Tool Steel Bedknives are constructed from high grade tool steel for extended life and optimum cut.:</i>					
2	<b>R150492</b>	150492	Bedknife - Razor Tool Steel - 21 Micro Cut Ext	1	
<i>Tech Note: Razor Tool Steel Bedknives are constructed from high grade tool steel for extended life and optimum cut.:</i>					
<b>Service Tools</b>					
4	<b>R51-0880</b>	51-0880	Bedknife Screw Driver Tool	0	
<b>Belts</b>					
6	<b>R95-0728</b>	95-0728	Belt - Fits Groomer	1	
<b>Verti-Cit Blades</b>					
8	<b>R150209C</b>	106-6355	Verti-Cut Blade - Carbide Tipped 2mm	36	
8	<b>R150109C</b>	106-5422	Verti-Cut Blade - Carbide Tipped 1.2mm	36	
9	<b>R95-5719</b>	95-5719	Blade - Groomer	41	
<b>Other Parts Available</b>					
12	<b>R150477</b>	57-4910	Screw - Bedknife 5/16-18 x 1/2	13	

All original equipment manufacturers names and part numbers are used for identification purposes only, and we are in no way implying that our products are original equipment parts. Prices subject to change without notice.



# Replaces Toro Greensmaster 3150-Q Parts

4-Bolt Cutting Unit - Models 04470, 04471, 04480 & 04481  
Reel & Bedknife



Item No	R&R Part No.	OEM Part No.	Description	Qty Req	Order Quantity
14	<b>R302-5</b>	21-6010, 302-11, 302-37, 302-47, 302-5, 302-57, 302-58, 302-6, 31-0300, 32-9660, 60-0800, 62-3880, 92-4181	Fitting - Grease	4	
19	<b>R94-4544</b>	94-4544	Spacer - Reel	1	
20	<b>R93-2576-01</b>	93-2576, 93-2576-01	Bed Bar - 13 Hole	1	
21	<b>R315298</b>	217-74, 31-1070	Bolt - Bed Bar	2	
22	<b>R105-9768</b>	105-9768, 93-2490	Frame Assy	1	
22	<b>R95-1635-01</b>	95-1635, 95-1635-01	Frame - Reel Use w/4 Bolt Adj	1	
23	<b>R93-2463</b>	93-2463	Roller - Lift	1	
24	<b>R93-2464</b>	93-2464	Spacer - Roller	1	
25	<b>R33115-080</b>	33115-080	Bolt - Hex HD M10 x 80	1	
26	<b>R33025-00</b>	32025-00, 33025-00	Locknut - 10mm x 1.5 Jam	4	
27	<b>R32121-123</b>	32121-123	Pin - Spring Roll 5/16 x 3/4	4	
28	<b>R95-0745</b>	95-0745	Bolt - Tapered	4	
29	<b>R105-3834</b>	105-3834, 95-1618	Bolt - Shoulder	1	

All original equipment manufacturers names and part numbers are used for identification purposes only, and we are in no way implying that our products are original equipment parts. Prices subject to change without notice.



# Replaces Toro Greensmaster 3150-Q Parts

4-Bolt Cutting Unit - Models 04470, 04471, 04480 & 04481  
Reel & Bedknife



Item No	R&R Part No.	OEM Part No.	Description	Qty Req	Order Quantity
30	<b>R33125-025</b>	33125-025	Bolt - Carriage M10 x 25 w/Nut	4	
32	<b>R95-1617</b>	105-3833, 95-1617	Bolt - Eccentric Front Roller Bkt	1	
33	<b>R48-7770</b>	106-0276, 33115-020, 48-7770	Bolt - Hex HD M10 x 20	2	
34	<b>R453011</b>	01-166-0100, 01-166-0120, 01-166-0270, 01-166-0500, 01-166-0600, 01-166-0620, 132-4593, 2356-3, 237-12, 24-10-AD, 24-11-AD, 24-11-BD, 24-12-AD, 24-12-BD, 30-9310, 32-8190, 3256-24, 3256-3, 3256-36, 3256-4, 453011, 47-9950, 48-9220, 513458, 7-0052	Washer - Flat 3/8 SAE Y/Zinc	6	
35	<b>R94-8908</b>	93-2483, 94-8908	Seal - Reel	2	
35	<b>R105-3824</b>	105-3824	Seal - Reel Double Lip	2	
36	<b>R105-3827</b>	105-3827	Bearing - Reel	2	
36	<b>R93-2489</b>	93-2489	Bearing - Reel	2	
37	<b>R94-4543</b>	94-4543	Spring - Flat Reel	2	

All original equipment manufacturers names and part numbers are used for identification purposes only, and we are in no way implying that our products are original equipment parts. Prices subject to change without notice.



# Replaces Toro Greensmaster 3150-Q Parts

4-Bolt Cutting Unit - Models 04470, 04471, 04480 & 04481  
Reel & Bedknife



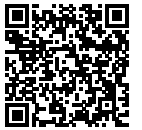
Item No	R&R Part No.	OEM Part No.	Description	Qty Req	Order Quantity
38	<b>R94-4545</b>	94-4545	Housing - Bearing	2	
38	<b>R105-3826</b>	105-3826	Housing - Bearing LH	1	
39	<b>R93-2477</b>	93-2477, 98-2196	Rod - Grass Shield	1	
40	<b>R93-2454</b>	93-2454	Nut - 3/8-16 Tapered	4	
41	<b>R93-2569</b>	93-2569	Bolt - Hex Washer Nyloc M10	4	
42	<b>R95-1642-01</b>	93-2570, 95-1642, 95-1642-01	Counterweight	1	
43	<b>R100-7113-01</b>	100-7113-01	Counterweight	1	
44	<b>R94-4507</b>	94-4507	Coupling - Reel	1	
45	<b>R32120-37</b>	32120-37	Ring - Internal Retaining Reel	1	
46	<b>R105-3825</b>	105-3825	Housing - Bearing RH	1	
47	<b>R105-9770</b>	10-5090, 105-9770, 26-5690, 70-9800, 94-3506, 94-3507	Hydraulic Motor - Reel Quick Release	1	
<i>Tech Note: Fits Models 3000, 3050 &amp; 3100:</i>					
48	<b>R120-2072</b>	100-6426, 108-6487, 112-9200, 120-2072, 93-1375	Hydraulic Gear Motor	1	
49	<b>R94-8170</b>	94-8170	Bracket - Roller Front	2	
50	<b>R48-7610</b>	33113-012, 48-7610	Bolt - Hex HD Nyloc M6 x 12	2	

All original equipment manufacturers names and part numbers are used for identification purposes only, and we are in no way implying that our products are original equipment parts. Prices subject to change without notice.



# Replaces Toro Greensmaster 3150-Q Parts

4-Bolt Cutting Unit - Models 04470, 04471, 04480 & 04481  
Reel & Bedknife



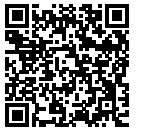
Item No	R&R Part No.	OEM Part No.	Description	Qty Req	Order Quantity
51	<b>R3254-6</b>	01-166-0010, 01-166-0280, 01-166-0610, 3253-5, 3254-18, 3254-6, 3290-223, 48-9370	Washer - Lock 3/8	2	
52	<b>R94-2958</b>	94-2958	Stud - Alloy Ball Joint	2	
53	<b>R150485</b>	2410-30, 2410-30OSS	Cap - Protective Bearing Housing	1	
54	<b>R95-1638</b>	95-1638	Bracket Only - HOC Adj	2	
54	<b>R99-6858</b>	99-6858	Bracket Assy - Rear Roller	2	
55	<b>R99-8168</b>	95-1637, 99-8168	Collar - Bracket HOC	2	
56	<b>R66-3160</b>	33114-020, 43-0110, 48-7710, 66-3160	Bolt - Flanged Hex HD	2	
57	<b>R33024-00</b>	33024-00	Locknut - 8mm x 1.25	4	
58	<b>R95-1633</b>	95-1633	Adjustment - HOC	2	
59	<b>R3296-5</b>	3296-5	Locknut - 3/8-24 Jam Nylon	2	
60	<b>R99-4197</b>	99-4197	Shield - Rear Assy	1	
61	<b>R99-1456</b>	99-1456	Pad - Wear Grass Shield	1	
62	<b>R99-4151</b>	99-4151	Deflector - RH Grass Shield	1	
63	<b>R99-4152</b>	99-4152	Deflector - Grass Shield LH	1	
64	<b>R32144-73</b>	104-2065, 32144-73	Screw - Machine Hex Washer Head	5	

All original equipment manufacturers names and part numbers are used for identification purposes only, and we are in no way implying that our products are original equipment parts. Prices subject to change without notice.



# Replaces Toro Greensmaster 3150-Q Parts

4-Bolt Cutting Unit - Models 04470, 04471, 04480 & 04481  
Reel & Bedknife



Item No	R&R Part No.	OEM Part No.	Description	Qty Req	Order Quantity
65	<b>R95-1636</b>	95-1636	Seal - Strip Grass Shield	1	
66	<b>R3256-74</b>	3256-74	Washer - Flat	4	
67	<b>R354083</b>	104-7729, 354083	Decal - Danger	1	
68	<b>R36-7260</b>	36-7260	Bar - Cut Off Grass Shield	1	
70	<b>R104-2067</b>	104-2067	Spacer - End - Motor	2	
71	<b>R46-0430</b>	46-0430	Locknut - 4mm	4	
72	<b>R33114-030</b>	33114-030, 42-9520, 48-7730	Bolt - Hex HD M8-1.25 x 30	4	
74	<b>R70-1350</b>	70-1350	Spacer - 1/4 Fits Groomer Shaft	84	
76	<b>R60-6500</b>	60-6500, 65-6500	Bolt - Hex HD M4 x 10	4	
79	<b>R170714</b>	302-34, 302-39, 62-3520	Fitting - Pressure Relief	2	
82	<b>R353-585</b>	353-585, 353-587, 354-34, 72-4380, 75-1210, 75-1270, 92-8863, 92-8864	Seal - High Pressure - Reel Motor	1	

All original equipment manufacturers names and part numbers are used for identification purposes only, and we are in no way implying that our products are original equipment parts. Prices subject to change without notice.