

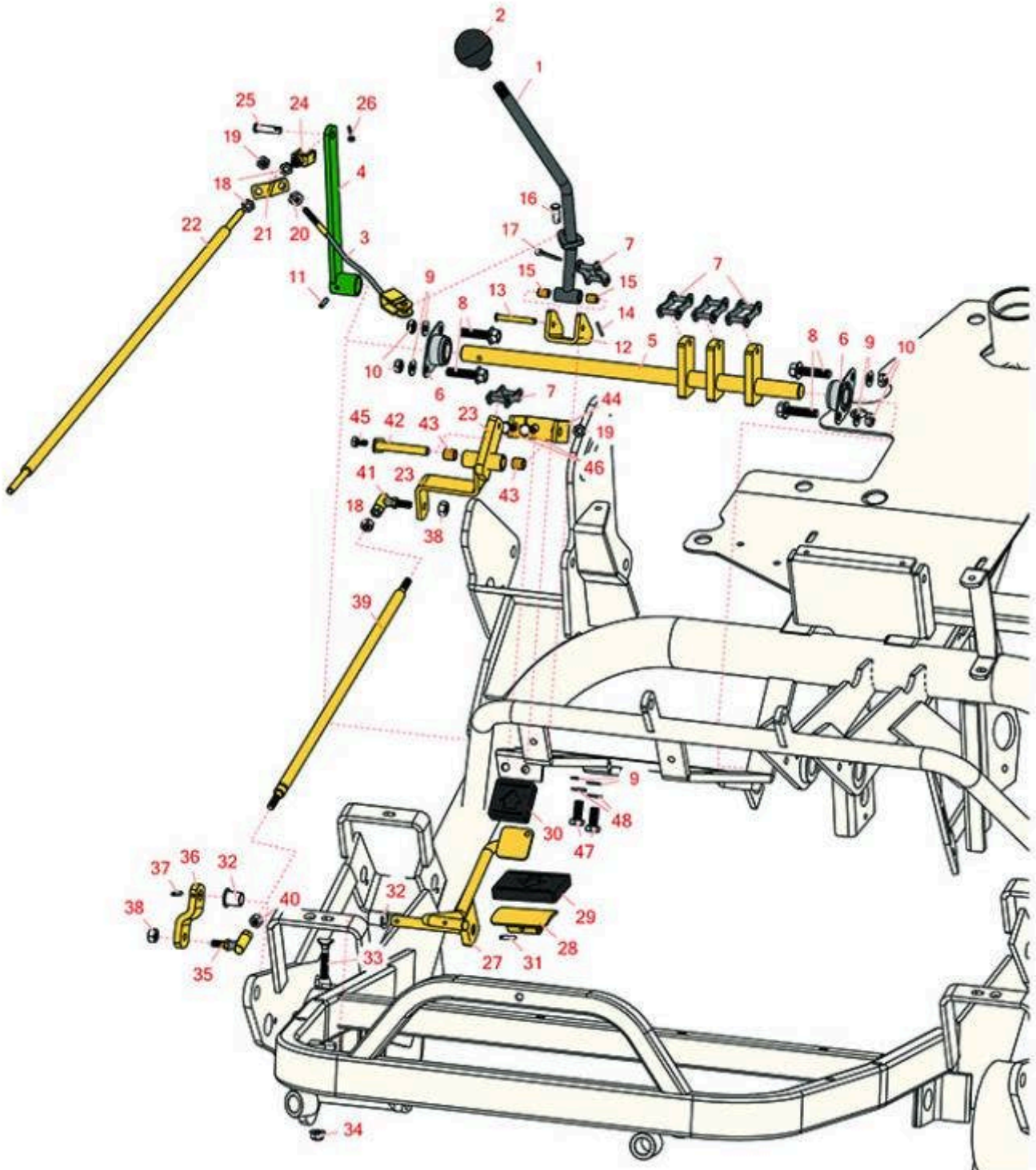


# Replaces R&R Products Versa-Green

## 1860 Parts

Traction Unit

Traction Control



All original equipment manufacturers names and part numbers are used for identification purposes only, and we are in no way implying that our products are original equipment parts. Prices subject to change without notice.



# Replaces R&R Products Versa-Green

## 1860 Parts

Traction Unit

Traction Control



| Item No | R&R Part No.     | OEM Part No.  | Description                       | Qty Req | Order Quantity |
|---------|------------------|---|-----------------------------------|---------|----------------|
| 1       | <b>R93-9934</b>  | R93-9934-01   | Traction Handle                   | 1       |                |
| 2       | <b>R233-48</b>   | R233-24,<br>R30-3370  | Knob                              | 1       |                |
| 3       | <b>R93-9937</b>  |   | Traction Cable Assy               | 1       |                |
| 4       | <b>R47-5320G</b> |   | Lever Assy - Traction Control     | 1       |                |
| 5       | <b>R44-0870</b>  |   | Cam Shaft Assy - Traction Control | 1       |                |
| 6       | <b>R27-2320</b>  |   | Bearing                           | 2       |                |
| 7       | <b>R57-6220</b>  |   | Link - Connecting                 | 5       |                |
| 8       | <b>R3234-19</b>  |   | Bolt - Hex Washer 3/8-16x1-3/4    | 4       |                |
| 9       | <b>R453011</b>   | 3256-24,<br>453011,<br>R01-166-0100,<br>R01-166-0120,<br>R01-166-0270,<br>R01-166-0500,<br>R01-166-0600,<br>R01-166-0620,<br>R132-4593,<br>R237-12,<br>R24-10-AD,<br>R24-11-AD,<br>R24-11-BD,<br>R24-12-AD,<br>R24-12-BD,<br>R30-9310,<br>R32-8190,<br>R3256-24,<br>R3256-3,<br>R3256-36,<br>R3256-4,<br>R47-9950 | Washer - Flat 3/8 SAE Y/Zinc      | 6       |                |
| 10      | <b>R3296-59</b>  |   | Locknut - 3/8-16 Nylon Jam        | 4       |                |
| 11      | <b>R32121-6</b>  |   | Pin - Roll 3/16 x 1-1/4           | 1       |                |

All original equipment manufacturers names and part numbers are used for identification purposes only, and we are in no way implying that our products are original equipment parts. Prices subject to change without notice.



# Replaces R&R Products Versa-Green

## 1860 Parts

Traction Unit

Traction Control



| Item No | R&R Part No.    | OEM Part No.   | Description                 | Qty Req | Order Quantity |
|---------|-----------------|--|-----------------------------|---------|----------------|
| 12      | <b>R49-6220</b> |  | Bracket - Arm               | 1       |                |
| 13      | <b>R1023-3</b>  | R283-57  | Pin - Clevis 1/4 x 1-7/8    | 1       |                |
| 14      | <b>R1023-4</b>  | R01-151-0150,<br>R19-6220,<br>R214-14,<br>R215-54,<br>R28-9-D,<br>R3272-4,<br>R3272-6,<br>R460014,<br>R513567,<br>R932008P,<br>RZS04061-02                     | Pin - Cotter 3/32 x 3/4     | 1       |                |
| 15      | <b>R256-251</b> |  | Bushing                     | 2       |                |
| 16      | <b>R283-62</b>  |  | Pin - Clevis 5/16 x 3/4     | 1       |                |
| 17      | <b>R3272-10</b> | R01-151-0120   | Pin - Cotter 1/8 x 3/4      | 1       |                |
| 18      | <b>R3220-2</b>  | R01-191-0524   | Nut - Jam - 5/16-24         | 4       |                |
| 19      | <b>R3296-29</b> | 3296-29,<br>R1-804256,<br>R915662P   | Locknut - 5/16-18 ESNA      | 3       |                |
| 20      | <b>R443106</b>  | 3218-2,<br>443106,<br>R01-188-0518,<br>R09003,<br>R22-12-AJD,<br>R32111-4,<br>R3217-4,<br>R3217-6,<br>R513295,<br>R513412,<br>R915112P,<br>R915978,<br>R915979 | Nut - 5/16-18 Y/Zinc Plated | 1       |                |
| 21      | <b>R93-9936</b> |  | Bracket - Traction Cable    | 1       |                |
| 22      | <b>R49-5430</b> |  | Control Rod - Cutting Lever | 1       |                |

All original equipment manufacturers names and part numbers are used for identification purposes only, and we are in no way implying that our products are original equipment parts. Prices subject to change without notice.



# Replaces R&R Products Versa-Green

## 1860 Parts

*Traction Unit*

*Traction Control*



| Item No | R&R Part No.       | OEM Part No.                        | Description                    | Qty Req | Order Quantity |
|---------|--------------------|-------------------------------------|--------------------------------|---------|----------------|
| 23      | <b>R49-6260</b>    | R49-6260-01                         | Pivot Assy                     | 1       |                |
| 24      | <b>R282-2</b>      | R1-303105                           | Yoke                           | 1       |                |
| 25      | <b>R283-61</b>     | R86-2140                            | Pin - Clevis 5/16 x 1-1/8      | 1       |                |
| 26      | <b>R11M7012</b>    |                                     | Pin - Cotter 1/8 x 5/8         | 1       |                |
| 27      | <b>R83-0540G</b>   | R83-0540,<br>R83-0540-01            | Traction Pedal Assy - Plated   | 1       |                |
| 28      | <b>R49-6440-03</b> | R117-9507,<br>R49-6440              | Pedal - Forward Assy           | 1       |                |
| 29      | <b>R74-9100</b>    |                                     | Rubber Foot Pad - Forward      | 1       |                |
| 30      | <b>R74-9110</b>    |                                     | Rubber Foot Pad - Reverse      | 1       |                |
| 31      | <b>R32121-45</b>   | R32121-113,<br>R32121-92            | Pin - Spring Roll 5/32 x 1     | 1       |                |
| 32      | <b>R256-155</b>    | R265-155                            | Bushing - Flanged              | 2       |                |
| 33      | <b>R17-9420</b>    | R17-9426,<br>R49-6480               | Bolt - Contour Plow Bolt       | 1       |                |
| 34      | <b>R445722</b>     | R30-8980,<br>R32128-2,<br>R32128-20 | Nut - Serrated Washer          | 1       |                |
| 35      | <b>R2411-42</b>    |                                     | Ball Joint - LH                | 1       |                |
| 36      | <b>R83-0630</b>    |                                     | Traction Arm - Pivot           | 1       |                |
| 37      | <b>R32121-51</b>   |                                     | Pin - Spring Roll 5/32 x 1-1/8 | 1       |                |
| 38      | <b>R444754</b>     | R000210                             | Locknut - 5/16-24 Center       | 2       |                |
| 39      | <b>R83-0580</b>    |                                     | Rod - Control - Traction       | 1       |                |
| 40      | <b>R3220-20</b>    |                                     | Nut - Jam - 5/16-24 LH         | 1       |                |

All original equipment manufacturers names and part numbers are used for identification purposes only, and we are in no way implying that our products are original equipment parts. Prices subject to change without notice.



# Replaces R&R Products Versa-Green

## 1860 Parts

Traction Unit

Traction Control



| Item No | R&R Part No.    | OEM Part No.  | Description                    | Qty Req | Order Quantity |
|---------|-----------------|---|--------------------------------|---------|----------------|
| 41      | <b>R2411-43</b> | R2411-33,<br>R37-9570   | Ball Joint - RH                | 1       |                |
| 42      | <b>R49-6290</b> | R49-6300,<br>R49-6310   | Pin                            | 1       |                |
| 43      | <b>R256-2</b>   |   | Bushing - Idler Pulley         | 2       |                |
| 44      | <b>R49-6250</b> |   | Bracket - Pivot                | 1       |                |
| 45      | <b>R12-3270</b> | R30-0700,<br>R32104-17,<br>R8-3880,<br>R9266714   | Bolt - Hex Washer 1/4-20 x 1/2 | 1       |                |
| 46      | <b>R322-5</b>   | 322-5,<br>R01-178-0508,<br>R19H1905,<br>R20-26-AD,<br>R20-26-AGD,<br>R30-9000,<br>R400188,<br>R513341,<br>R519755,<br>R908019P                    | Bolt - Hex HD 5/16-18 x 1      | 2       |                |
| 47      | <b>R400296</b>  |   | Bolt - Hex HD 3/8-24 x 7/8     | 2       |                |
| 48      | <b>R3254-6</b>  | 446142,<br>R01-166-0010,<br>R01-166-0280,<br>R01-166-0610,<br>R12H304,<br>R3253-5,<br>R3254-18,<br>R3290-223,<br>R446140,<br>R446142,<br>R48-9370 | Washer - Lock 3/8              | 2       |                |

All original equipment manufacturers names and part numbers are used for identification purposes only, and we are in no way implying that our products are original equipment parts. Prices subject to change without notice.