

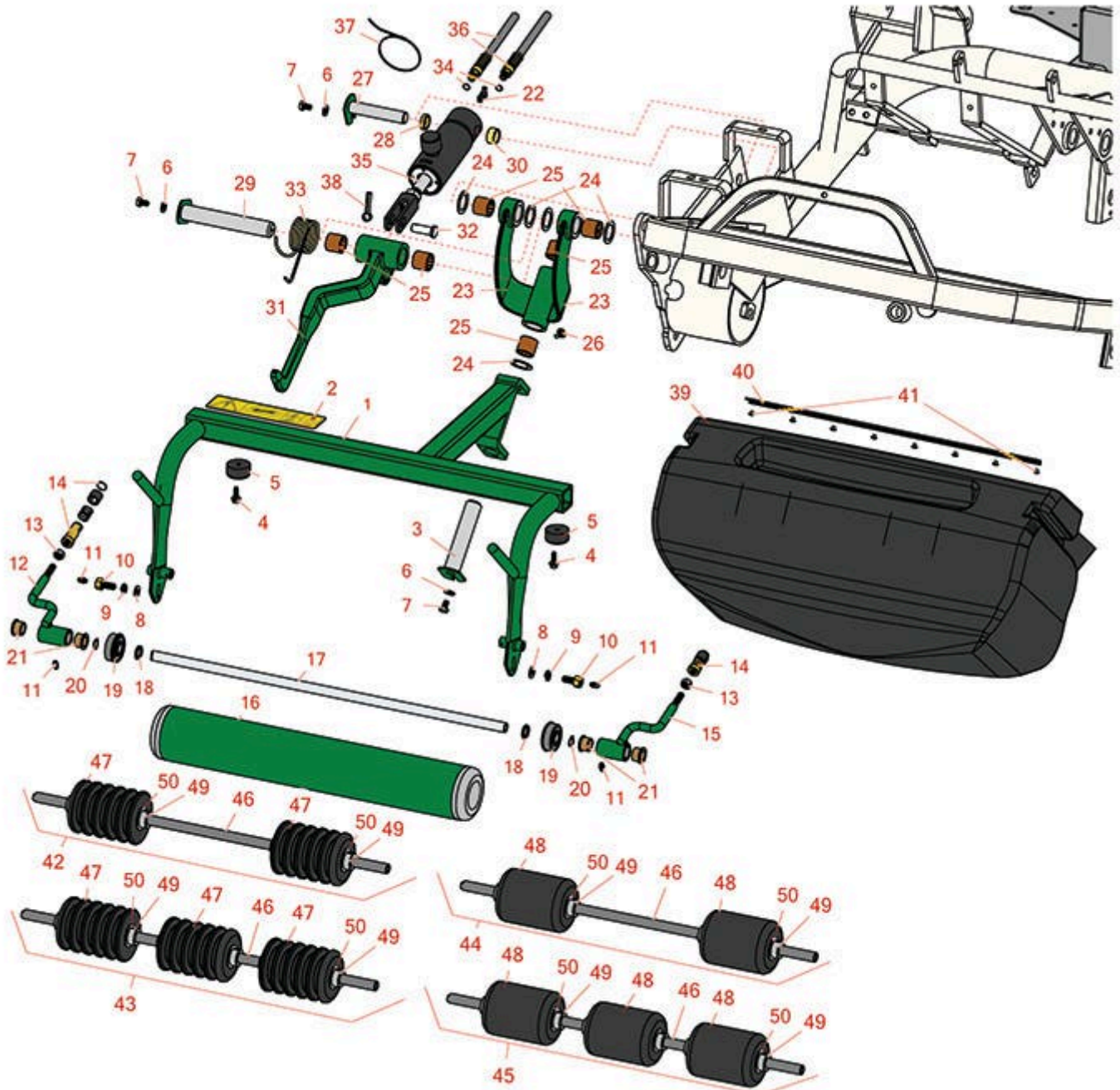


# Replaces R&R Products Versa-Green

## 1860 Parts

Traction Unit

Right Hand Pull Frame



All original equipment manufacturers names and part numbers are used for identification purposes only, and we are in no way implying that our products are original equipment parts. Prices subject to change without notice.



# Replaces R&R Products Versa-Green

## 1860 Parts

*Traction Unit*

*Right Hand Pull Frame*



Item No	R&R Part No.	OEM Part No.	Description	Qty Req	Order Quantity
1	<b>R92-9177G</b>		Frame - Pull RH - Green	1	
2	<b>R93-8064</b>		Decal - Warning	1	
3	<b>R10-6090G</b>		Pin - Pivot 4-7/8 Long - Green	1	
4	<b>R49-2040</b>	R32104-42, R32104-95, R32144-44	Bolt - Hex Washer 1/4-20 x 3/4	2	
5	<b>R94-4548</b>		Rubber Bumper	2	
6	<b>R453009</b>	3256-3, R01-166-0400, R24-10-BD, R24-9-AD, R24H1136, R32-9650, R3256-2, R3256-23, R3256-67, R3290-217, R3556-3, R4-2390, R452006, R7-0152	Washer - Flat 5/16 SAE	3	
7	<b>R322-1</b>	R01-178-0504, R20-22-AD, R20-22-AGD, R513337, RB310801	Bolt - Hex HD 5/16-18 x 1/2	3	

All original equipment manufacturers names and part numbers are used for identification purposes only, and we are in no way implying that our products are original equipment parts. Prices subject to change without notice.



# Replaces R&R Products Versa-Green

## 1860 Parts

*Traction Unit*

*Right Hand Pull Frame*



Item No	R&R Part No.	OEM Part No.	Description	Qty Req	Order Quantity
8	<b>R453011</b>	3256-24, 453011, R01-166-0100, R01-166-0120, R01-166-0270, R01-166-0500, R01-166-0600, R01-166-0620, R132-4593, R237-12, R24-10-AD, R24-11-AD, R24-11-BD, R24-12-AD, R24-12-BD, R30-9310, R32-8190, R3256-24, R3256-3, R3256-36, R3256-4, R47-9950	Washer - Flat 3/8 SAE Y/Zinc	2	
9	<b>R3253-21</b>	3253-21, R215-51, R30-8470, R7-1912, RMT3949	Washer - Lock 3/8	2	
10	<b>R11-0160</b>		Screw - Roller Shaft	2	

All original equipment manufacturers names and part numbers are used for identification purposes only, and we are in no way implying that our products are original equipment parts. Prices subject to change without notice.



# Replaces R&R Products Versa-Green

## 1860 Parts

*Traction Unit*

*Right Hand Pull Frame*



Item No	R&R Part No.	OEM Part No.	Description	Qty Req	Order Quantity
11	<b>R302-5</b>	R173-0, R21-6010, R255825, R302-37, R302-47, R302-57, R302-58, R302-6, R31-0300, R32-9660, R471214, R471223, R471226, R60-0800, R62-3880, R92-4181, RJD7797, RJD7842, RJD7844, RM0004	Fitting - Grease	5	
12	<b>R92-0586G</b>		Arm - Pull LH - Green	1	
13	<b>R3220-3</b>	R01-191-0624, R3290-149	Nut - Jam Ball Joint	2	
14	<b>R99-1460</b>	R2411-28, R2411-29, R2411-30, R2411-6, R2411-8, R8-7710, R94-2959	Receiver - Ball Joint	2	
15	<b>R92-0585G</b>		Arm - Pull RH - Green	1	
16	<b>R99-4277G</b>		Basket Roller - Smooth - Green	1	
17	<b>R21-8470</b>		Shaft - Roller	1	
18	<b>R253-83</b>		Seal - Oil 7/8 OD x 5/8 ID	2	
19	<b>R251-141</b>		Bearing - Roller	2	
20	<b>R3290-317</b>		Washer - Wave	2	

All original equipment manufacturers names and part numbers are used for identification purposes only, and we are in no way implying that our products are original equipment parts. Prices subject to change without notice.



# Replaces R&R Products Versa-Green

## 1860 Parts

*Traction Unit*

*Right Hand Pull Frame*



Item No	R&R Part No.	OEM Part No.	Description	Qty Req	Order Quantity
21	<b>R3-1506</b>	R256-287, R3709088, R4-4550, R75-2160, R9329	Bushing - Bronze	4	
22	<b>R700415</b>		Zerk - Grease 1/8 PTF 45 Deg	1	
23	<b>R10-7820G</b>		Pivot Hinge Assy - Green	1	
24	<b>R10-8110</b>		Washer - Pivot Pin	6	
25	<b>R3-0348</b>	R324124, R342124	Bushing	4	
26	<b>R302-60</b>		Zerk - Grease 90 Deg.	1	
27	<b>R10-6060G</b>		Pin - Pivot 3-7/8 Long - Green	1	
28	<b>R105-3828</b>		Spacer - Lift Cyl	1	
29	<b>R10-6110G</b>		Pin - Hinge 6 1/4 Long - Green	1	
30	<b>R74-3730</b>	R217-96	Spacer	1	
31	<b>R107-2599G</b>		Lift Arm Assy - RH - Green	1	
32	<b>R283-8</b>	R17-3670, R7-2035	Clevis Pin - 1/2 x 1-27/64	1	
33	<b>R110-3951</b>	R106-9078	Spring - Torsion - RH	1	
34	<b>R237-22</b>	R107-8844, R232-72, R237-78	O-Ring	2	
35	<b>R106-9066</b>		Hydraulic Cylinder - LH / RH	1	
35	<b>R107-2564</b>		Seal Kit - Fits 107-1981 Hyd Cyl	1	
36	<b>R150640</b>		Hydraulic Hose Assy - RH Lift Cylinder	2	
37	<b>R3M41933</b>		Cable Ties - 6" Bulk Pkg/100	1	

All original equipment manufacturers names and part numbers are used for identification purposes only, and we are in no way implying that our products are original equipment parts. Prices subject to change without notice.



# Replaces R&R Products Versa-Green

## 1860 Parts

*Traction Unit*

*Right Hand Pull Frame*



Item No	R&R Part No.	OEM Part No.	Description	Qty Req	Order Quantity
38	<b>R3272-11</b>	R01-151-0010, R01-151-0040, R28-18-D, R28-28-D, R3211-72	Pin - Cotter	1	
39	<b>R150257</b>		Grass Basket Assembly	3	
40	<b>R104-2607</b>		Strip - Reinforcing Grass Basket	1	
41	<b>R3290-382</b>	R3269-15	Rivet - 5/32 x 1/2 Pop Rivet	8	
42	<b>R150325</b>		Basket Roller - Grooved UHMW Polyethylene 2 Section	1	
43	<b>R150329</b>		Basket Roller - Grooved UHMW Polyethylene 3 Section	1	
44	<b>R150330</b>		Basket Roller - Smooth UHMW Polyethylene 2 Section	1	
45	<b>R150332</b>		Roller - Smooth UHMW Polyethylene 3-1/2 3 Sec	1	
46	<b>R150326</b>		Shaft - Stainless Roller	1	
47	<b>R150327</b>		Roller Section - 3.5 UHMW Grooved	0	
48	<b>R150331</b>		Section - 3-1/2 UHMW Smooth	0	
49	<b>R150328</b>	R3709875, R94-9213	Collar - Retaining 5/8	0	
50	<b>R302295</b>		Washer	0	

All original equipment manufacturers names and part numbers are used for identification purposes only, and we are in no way implying that our products are original equipment parts. Prices subject to change without notice.