

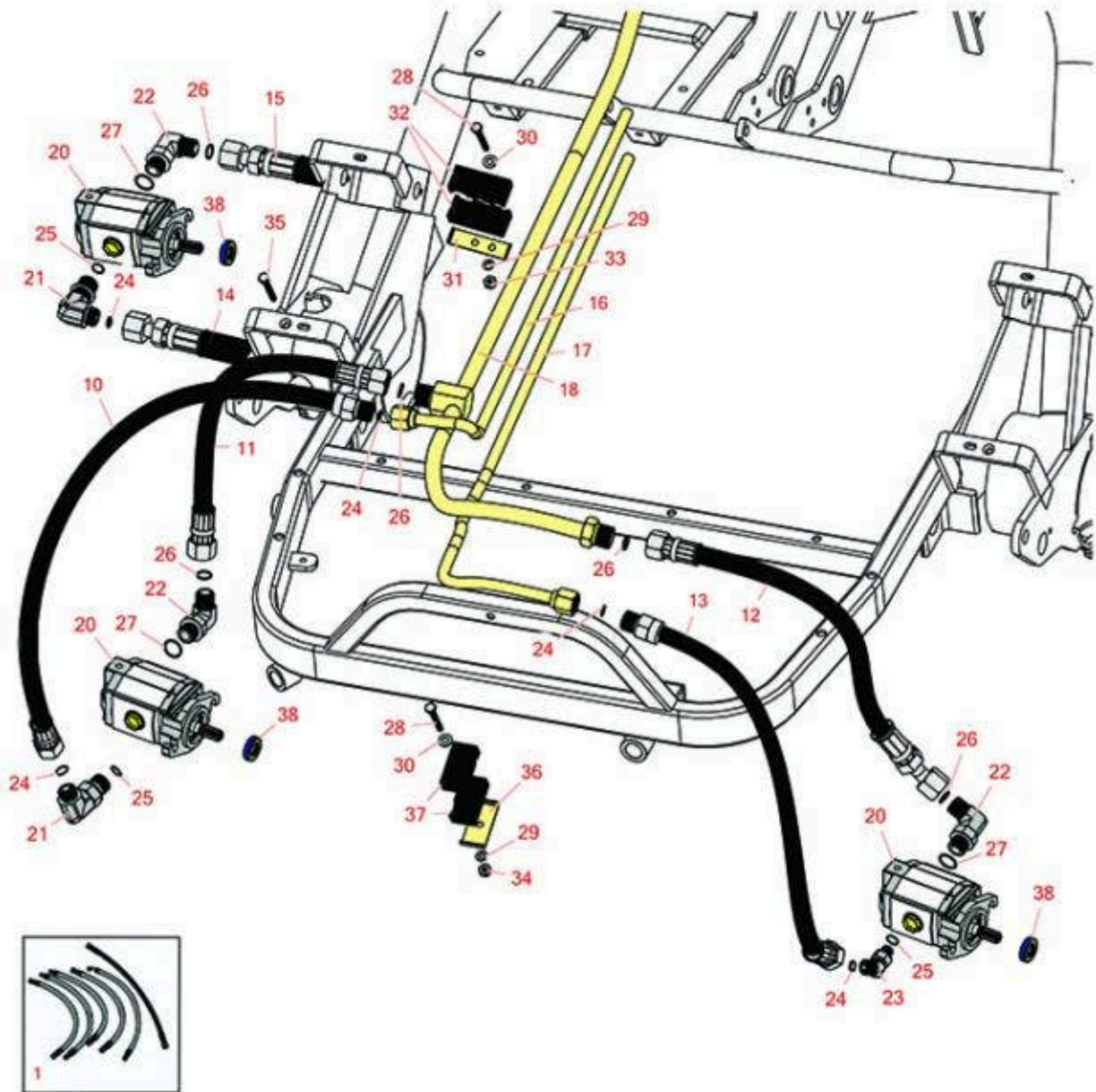


Replaces R&R Products Versa-Green

1860 Parts

Traction Unit

Hydraulic Lines & Motors



All original equipment manufacturers names and part numbers are used for identification purposes only, and we are in no way implying that our products are original equipment parts. Prices subject to change without notice.



Replaces R&R Products Versa-Green

1860 Parts

Traction Unit

Hydraulic Lines & Motors



Item No	R&R Part No.	OEM Part No.	Description	Qty Req	Order Quantity
---------	--------------	--------------	-------------	---------	----------------

Overhaul Kits

1	R98-0642		Kit - Hydraulic Hose	0	
<i>Tech Note: Includes 1 ea: R95-5984, R95-5985, R95-5986, R95-5987, R95-5988, R95-5989:</i>					
10	R95-5984	R150628	Hydraulic Hose Assy - RH Pressure	1	
11	R95-5985	R150629, R63-3820	Hydraulic Hose Assy	1	
12	R150630		Hydraulic Hose Assy - LH Return	1	
13	R150634		Hydraulic Hose Assy - LH Pressure	1	
14	R150633		Hydraulic Hose Assy - Rear Pressure	1	
15	R150631		Hose - Rear Motor Return	1	
16	R63-4030		Tube - Hyd	1	
17	R63-4020		Tube - Hyd	1	
18	R100-6431	R63-4040	Tube - Return	1	

Other Parts Available

20	R105-9770	R10-5090, R26-5690, R70-9800, R94-3506, R94-3507	Hydraulic Motor - Reel Quick Release	3	
21	R340-77	R340-100, R95-7889	Hydraulic Fitting	2	
22	R340-98		Hydraulic Fitting	3	
23	R340-87	R340-106	Hydraulic Fitting	1	
24	R237-22	R107-8844, R232-72, R237-78	O-Ring	5	

All original equipment manufacturers names and part numbers are used for identification purposes only, and we are in no way implying that our products are original equipment parts. Prices subject to change without notice.



Replaces R&R Products Versa-Green

1860 Parts

Traction Unit

Hydraulic Lines & Motors



Item No	R&R Part No.	OEM Part No.	Description	Qty Req	Order Quantity
25	R237-42	R31-4160, R339897	O-Ring	3	
26	R237-30	R23-6320	O-Ring - Seal	5	
27	R237-79		O-Ring	3	
28	R3234-34	323-12	Bolt - Hex Washer 1/4 x 2	1	
29	R3253-3	446130, R01-166-0070, R01-166-0410, R23-9-GD, R24-7150, R352-167, R446128, R446130	Washer - Lock 1/4	1	
30	R3256-22	R09061, R24-9-BD, R3-1032, R93-0954, R93-0989	Washer - Flat 1/4 Yellow	3	
31	R83-1220		Plate - Clamp - Hyd Lines	1	
32	R57-6140		Clamp - Half - Hyd Line	2	
33	R301504	R32127-24, R32146-17, R3296-16, R3296-42, R915661P, RM40333	Locknut - ESNA 1/4-20	2	
34	R32128-33		Nut - 1/4-20 Flanged Serr	1	
35	R32108-100		Screw - 1/4-20 x 2-1/4 Soc Flat HD	1	
36	R69-9760		Cover Plate - Hyd Line Clamp	1	
37	R56-7970		Plastic Clamp	2	

All original equipment manufacturers names and part numbers are used for identification purposes only, and we are in no way implying that our products are original equipment parts. Prices subject to change without notice.



Replaces R&R Products Versa-Green

1860 Parts

Traction Unit

Hydraulic Lines & Motors



Item No	R&R Part No.	OEM Part No.	Description	Qty Req	Order Quantity
38	R353-585	R353-469, R353-587, R354-34, R45401-2, R500843, R72-4380, R75-1210, R75-1270, R92-8863, R92-8864	Seal - High Pressure - Reel Motor	3	

All original equipment manufacturers names and part numbers are used for identification purposes only, and we are in no way implying that our products are original equipment parts. Prices subject to change without notice.