

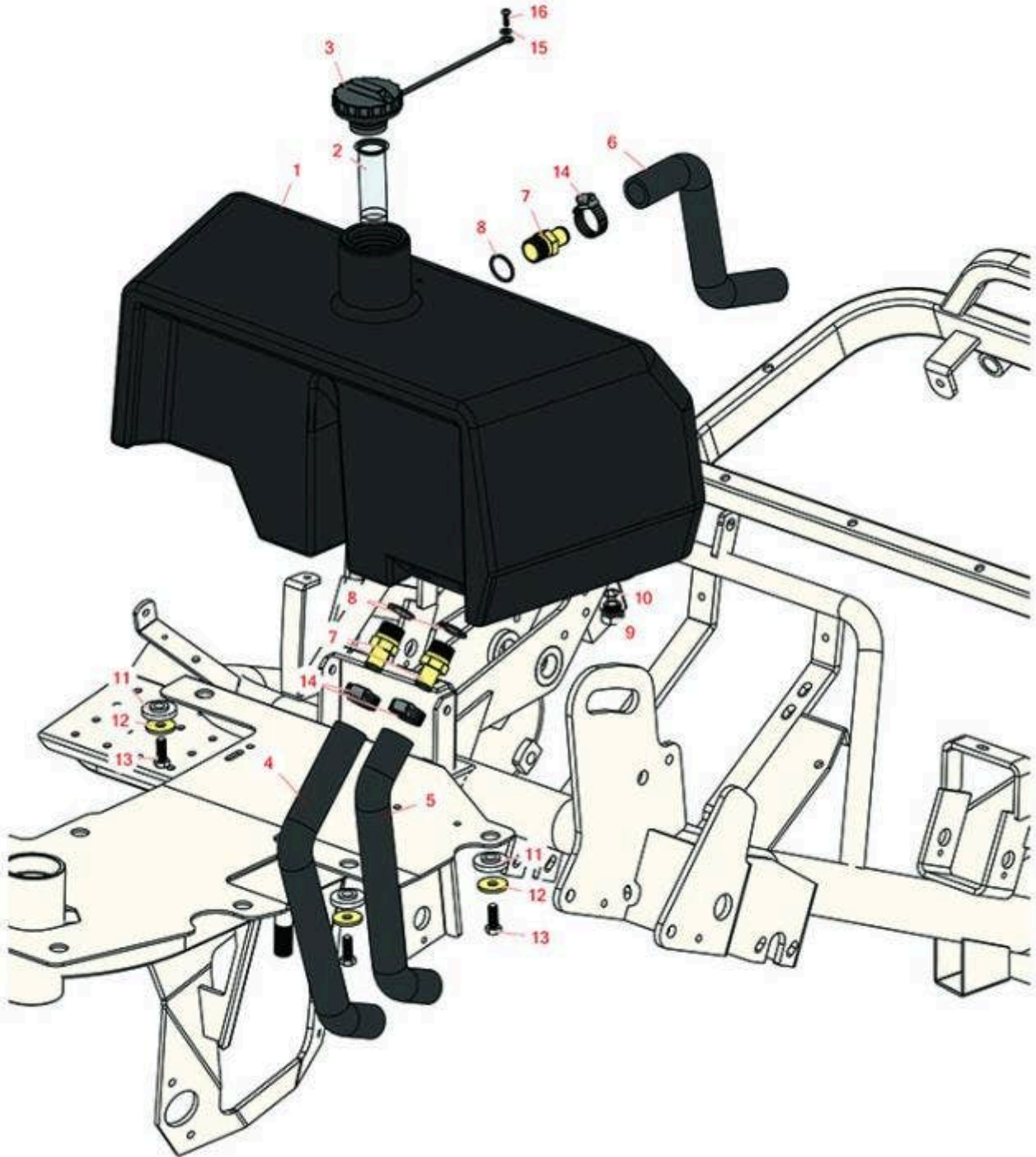


Replaces R&R Products Versa-Green

1860 Parts

Traction Unit

Hydraulic Reservoir



All original equipment manufacturers names and part numbers are used for identification purposes only, and we are in no way implying that our products are original equipment parts. Prices subject to change without notice.



Replaces R&R Products Versa-Green

1860 Parts

Traction Unit
Hydraulic Reservoir



Item No	R&R Part No.	OEM Part No.	Description	Qty Req	Order Quantity
1	R150306		Tank - Hydraulic	1	
2	R150309	R83-1520	Screen - Filler - Hyd Oil	1	
3	R93-7160	R92-6342, R93-3103	Cap - Hyd Oil w/Tether	1	
4	R150595		Hose - Inside Inlet - Pump	1	
5	R83-0910		Hose - Outside Inlet - Pump	1	
6	R83-1430		Hose - Filter to Tank	1	
7	R83-0870	R83-0870-01	Hydraulic Fitting - Straight Hose	3	
8	R237-177		O-Ring - Str Fitting - Poly Tank	3	
9	R353-550	R353-843	Plug - Drain - Hyd Tank	1	
10	R237-79		O-Ring	1	
11	R240-11		Bushing - Rubber - Flanged	3	
12	R63-8410	R53-6380, R63-4810	Washer - Isolator Bushing	3	
13	R323-6	323-6, R01-150-0010, R01-178-0608, R20-47-AD, R20-47-AGD, R3224-2, R49-3510, R908034P, R908332	Bolt - Hex HD 3/8-16 x 1 GR5 YZ	3	
14	R2412-34	R31-0120	Clamp - Hose .75-1.5	3	
15	R24M7139		Washer - Flat 6mm	1	
16	R300104		Screw - Button HD Cap 10-32 x 5/8	1	

All original equipment manufacturers names and part numbers are used for identification purposes only, and we are in no way implying that our products are original equipment parts. Prices subject to change without notice.