

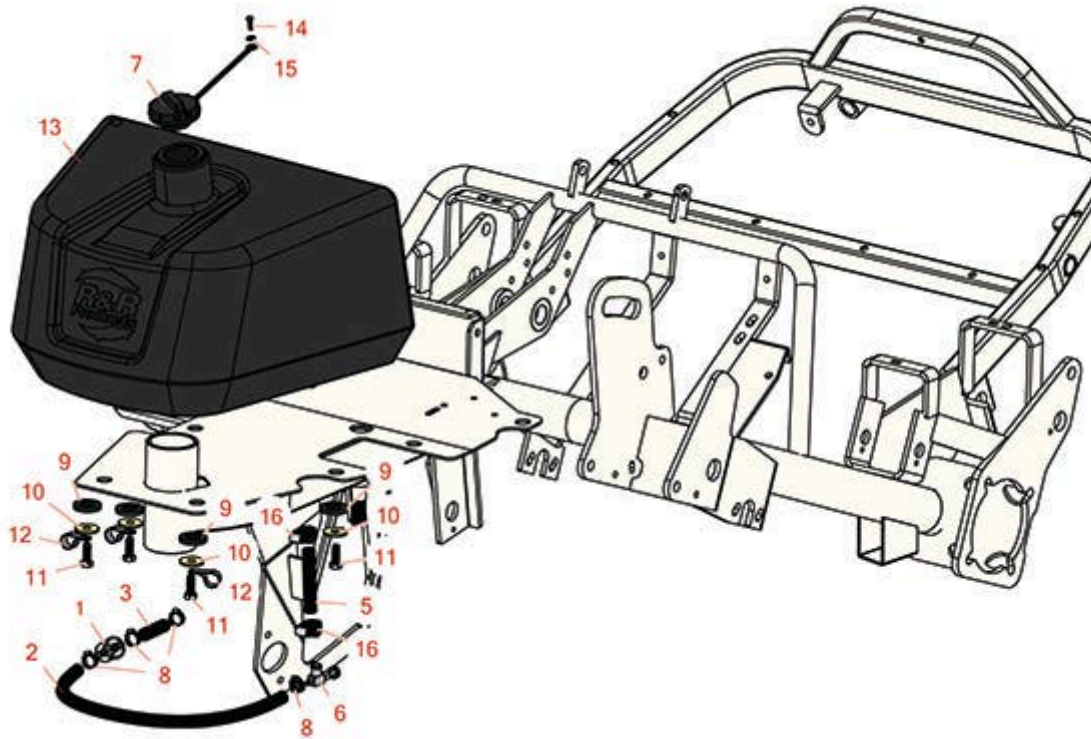


# Replaces R&R Products Versa-Green

## 1860 Parts

Traction Unit

Fuel Tank



All original equipment manufacturers names and part numbers are used for identification purposes only, and we are in no way implying that our products are original equipment parts. Prices subject to change without notice.



# Replaces R&R Products Versa-Green

## 1860 Parts

Traction Unit  
Fuel Tank



Item No	R&R Part No.	OEM Part No.	Description	Qty Req	Order Quantity
---------	--------------	--------------	-------------	---------	----------------

### Filters

1	<b>RS691035</b>	R5000436, RS492836	B-S Filter-Fuel	1	
1	<b>R825619</b>	R108-3832, R108-3854, R821814, R83-1320, R832774, R94-2690, R95-2926, R99-9404	Filter - Fuel	1	

### Hoses

2	<b>R109-0304</b>		Hose - Fuel - Filter to Engine	1	
3	<b>R109-0275</b>	R83-2041	Hose - Fuel	1	
5	<b>R106-1128</b>		Hose - Fuel - Tank to Valve	1	

### Gauges and Controls

6	<b>R83-1390</b>		Needle Valve - in Line	1	
---	-----------------	--	------------------------	---	--

### Other Parts Available

7	<b>R93-7170</b>		Cap - Fuel w/Tether	1	
8	<b>R2412-108</b>	R97406	Clamp - Worm - 1/4 - Stainless	4	
9	<b>R240-11</b>		Bushing - Rubber - Flanged	4	
10	<b>R63-8410</b>	R53-6380, R63-4810	Washer - Isolator Bushing	4	

All original equipment manufacturers names and part numbers are used for identification purposes only, and we are in no way implying that our products are original equipment parts. Prices subject to change without notice.



# Replaces R&R Products Versa-Green

## 1860 Parts

*Traction Unit*

*Fuel Tank*



Item No	R&R Part No.	OEM Part No.	Description	Qty Req	Order Quantity
11	<b>R323-6</b>	323-6, R01-150-0010, R01-178-0608, R20-47-AD, R20-47-AGD, R3224-2, R49-3510, R908034P, R908332	Bolt - Hex HD 3/8-16 x 1 GR5 YZ	4	
12	<b>R2412-41</b>		Clamp	3	
13	<b>R150305</b>		Fuel Tank	1	
14	<b>R300104</b>		Screw - Button HD Cap 10-32 x 5/8	1	
15	<b>R24M7139</b>		Washer - Flat 6mm	1	
16	<b>R2412-36</b>	R2210-87, R31-9140, R93-5818, R99-0772	Clamp - Hose 1/2	2	

All original equipment manufacturers names and part numbers are used for identification purposes only, and we are in no way implying that our products are original equipment parts. Prices subject to change without notice.