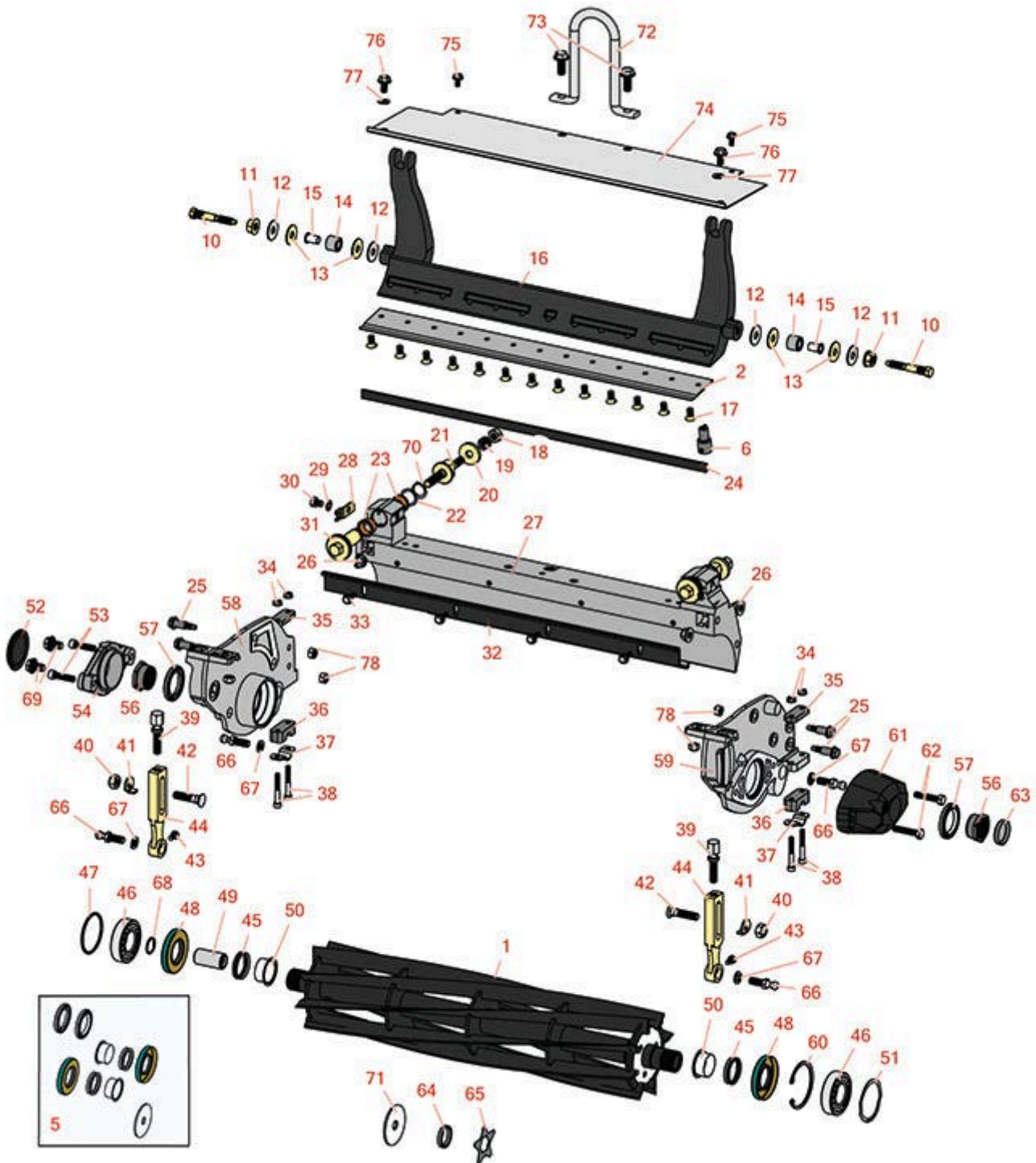




# Replaces R&R Products Versa-Green

## 1860 Parts

Dual Adjust Cutting Unit  
Reel & Bedknife



All original equipment manufacturers names and part numbers are used for identification purposes only, and we are in no way implying that our products are original equipment parts. Prices subject to change without notice.



# Replaces R&R Products Versa-Green

## 1860 Parts

Dual Adjust Cutting Unit  
Reel & Bedknife



Item No	R&R Part No.	OEM Part No.	Description	Qty Req	Order Quantity
---------	--------------	--------------	-------------	---------	----------------

### R&R Reels, Lifetime Guaranteed

1	<b>R115-5370</b>	R150175	Reel - 14 Blade	1	
1	<b>R150748</b>		Reel - 14 Blade Razor Series Low Drag 21	1	
1	<b>R105-5792</b>		Reel - 11 Blade	1	
1	<b>R105-5793</b>		Reel - 8 Blade	1	

### R&R Bedknives, Lifetime Guaranteed

2	<b>R150466</b>	R63-8600, R94-6393	Bedknife - Super Thick .312 - 1.00 HOC	1	
2	<b>R94-6392</b>	R57-4970, R62-2500	Bedknife - High Cut .312 - 1.00 HOC	1	
2	<b>R93-4264</b>	R57-4960, R63-8470	Bedknife - Low Cut .187 - 1.00 HOC	1	
2	<b>R93-4262</b>	R62-8250, R65-8250	Bedknife - Micro Cut .062 - .187 HOC	1	

### R&R Razor Tool Steel Bedknives, Lifetime Guaranteed

2	<b>R115-1881</b>		Bedknife - Razor Tool Steel - 21 Tournament Cut .125 - .500 HOC	1	
---	------------------	--	---	---	--

*Tech Note: Razor Tool Steel Bedknives are constructed from high grade tool steel for extended life and optimum cut.:*

2	<b>R115-1880</b>		Bedknife - Razor Tool Steel - 21 Micro Cut .062 - .187 HOC	1	
---	------------------	--	--	---	--

*Tech Note: Razor Tool Steel Bedknives are constructed from high grade tool steel for extended life and optimum cut.:*

2	<b>R150492</b>		Bedknife - Razor Tool Steel - 21 Micro Cut Ext	1	
---	----------------	--	--	---	--

*Tech Note: Razor Tool Steel Bedknives are constructed from high grade tool steel for extended life and optimum cut.:*

All original equipment manufacturers names and part numbers are used for identification purposes only, and we are in no way implying that our products are original equipment parts. Prices subject to change without notice.



# Replaces R&R Products Versa-Green

## 1860 Parts

Dual Adjust Cutting Unit  
Reel & Bedknife



Item No	R&R Part No.	OEM Part No.	Description	Qty Req	Order Quantity
---------	--------------	--------------	-------------	---------	----------------

### Overhaul Kits

5	<b>R106-6937</b>		Kit - Reel Seal	1	
---	------------------	--	-----------------	---	--

*Tech Note: Includes: 2 ea: R106-6927 Sleeve, R106-6926 Inner Seal, R253-134 Outer Seal, R106-6929 V-Ring; & 1 ea: R104-0532 Washer:*

### Service Tools

6	<b>R51-0880</b>		Bedknife Screw Driver Tool	0	
---	-----------------	--	----------------------------	---	--

### Other Parts Available

10	<b>R65-6270</b>	R119-4050	Bolt - Bed Bar	2	
----	-----------------	-----------	----------------	---	--

11	<b>R32128-48</b>		Locknut - 7/16-20 Flanged	2	
----	------------------	--	---------------------------	---	--

12	<b>R52-2860</b>	R119-4150	Washer - Bed Bar Pivot	4	
----	-----------------	-----------	------------------------	---	--

13	<b>R52-2900</b>		Washer - Nylon	4	
----	-----------------	--	----------------	---	--

14	<b>R63-9510</b>	R63-9480	Bushing - Rubber For Bed Bar	2	
----	-----------------	----------	------------------------------	---	--

15	<b>R52-2890</b>		Bushing - Flanged	2	
----	-----------------	--	-------------------	---	--

16	<b>R106-2648-01</b>		Bed Bar	1	
----	---------------------	--	---------	---	--

16	<b>R150176</b>		Bed Bar - Fits R&R Units Only	1	
----	----------------	--	-------------------------------	---	--

17	<b>R150476</b>	R170476, R3-3816, R52-4910, R57-4910	Screw - Bedknife 5/16-18 x 5/8	13	
----	----------------	---	--------------------------------	----	--

17	<b>R119-4151</b>		Screw - Bedknife 5/16-18 x 17/32	13	
----	------------------	--	----------------------------------	----	--

18	<b>R33025-00</b>		Locknut - 10mm x 1.5 Jam	2	
----	------------------	--	--------------------------	---	--

19	<b>R99-3755</b>		Spring - Bed Bar Adjusting	2	
----	-----------------	--	----------------------------	---	--

20	<b>R99-2098</b>		Washer - Bed Bar Adjuster	2	
----	-----------------	--	---------------------------	---	--

All original equipment manufacturers names and part numbers are used for identification purposes only, and we are in no way implying that our products are original equipment parts. Prices subject to change without notice.



# Replaces R&R Products Versa-Green

## 1860 Parts

*Dual Adjust Cutting Unit  
Reel & Bedknife*



Item No	R&R Part No.	OEM Part No.	Description	Qty Req	Order Quantity
21	R99-2096		Screw - Bed Bar Adjustment - M10 Thrd 1 End	2	
22	R106-5335		Wave Washer - Reel Adjusting	2	
23	R106-5344		Bushing - Flanged and Keyed	4	
24	R106-2619		Seal - Strip	1	
25	R105-5774		Bolt - Shoulder	4	
26	R98-0668		Nut - Whiz Lock	4	
27	R119-9303	R105-5799	Frame - Crossmember	1	
28	R99-2097		Detent - Bed Bar Adjuster	2	
29	R3255-8		Washer - Lock 5/16 Ext	2	
30	R33114-010		Bolt - Hex HD M8-1.25 x 10	2	
31	R106-6921	R106-5334, R114-4634	Shaft - Bed Bar Adjustment Assy	2	
31	R106-5363		Shaft - Adjusting - Bed Bar - Stainless	2	
32	R106-6924-03	R106-2617-03	Cut-Off Bar	1	
33	R110-3986	R48-8870, R56-6380	Screw - M6 x 1.0 x 20mm	4	
34	R33003-00	R65-7980	Hex Nut - Flanged 6-1.0mm	4	
35	R105-5711	R119-4165	Shim - Roller	2	
36	R105-5710	R119-4166	Spacer - Roller	2	
37	R105-5712	R119-4157	Retainer - Roller	2	
38	R106-2603		Bolt - Shoulder M6-1.0 x 45	4	
39	R106-2635		Screw - HOC 2-7/16	2	

All original equipment manufacturers names and part numbers are used for identification purposes only, and we are in no way implying that our products are original equipment parts. Prices subject to change without notice.



# Replaces R&R Products Versa-Green

## 1860 Parts

*Dual Adjust Cutting Unit  
Reel & Bedknife*



Item No	R&R Part No.	OEM Part No.	Description	Qty Req	Order Quantity
39	<b>R110-7352</b>		Screw - HOC 2 5/8 Stainless	2	
40	<b>R106-4668</b>		Locknut - 10mm x 1.5 Top Lock	2	
41	<b>R104-2603</b>	R119-4158	Washer - HOC Bracket	2	
42	<b>R150647</b>	R105-5342	Plow Bolt - HOC - Front Roller	2	
43	<b>R48-7610</b>	R33113-012	Bolt - Hex HD Nyloc M6 x 12	2	
44	<b>R99-3781</b>		Bracket - Front Roller 5 Oal	2	
44	<b>R107-3502</b>		Bracket - Front Roller 5-1/4 Oal	2	
44	<b>R110-7351</b>		Bracket - High HOC - 5 1/4	2	
45	<b>R106-6929</b>		V-Ring - Reel	2	
46	<b>R93-2489</b>		Bearing - Reel	2	
47	<b>R106-2607</b>		O-Ring - Reel	1	
48	<b>R106-6926</b>		Inner Seal - Reel	2	
49	<b>R94-4507</b>		Coupling - Reel	1	
50	<b>R106-6927</b>		Speedi-Sleeve - Reel	2	
51	<b>R105-5700</b>	R115-5258	Wave Washer - Bearing	1	
52	<b>R150485</b>	R2410-30	Cap - Protective Bearing Housing	1	
53	<b>R94-3559</b>		Screw - Hex Socket Head	2	
54	<b>R104-9447</b>		Adapter - Motor	1	
56	<b>R105-5706</b>		Locknut - Reel	2	
57	<b>R253-134</b>		Outer Seal	2	
58	<b>R105-5797G</b>		Side Plate - RH - Fits R&R Units Only	1	
59	<b>R105-5795G</b>		Side Plate - LH - Fits R&R Units Only	1	

All original equipment manufacturers names and part numbers are used for identification purposes only, and we are in no way implying that our products are original equipment parts. Prices subject to change without notice.



# Replaces R&R Products Versa-Green

## 1860 Parts

*Dual Adjust Cutting Unit  
Reel & Bedknife*



Item No	R&R Part No.	OEM Part No.	Description	Qty Req	Order Quantity
60	<b>R106-6914</b>	RSG427541	Snap Ring - Internal	1	
61	<b>R105-5709</b>		Weight	1	
62	<b>R33114-040</b>	R42-9530	Screw - Hh M8-1.25 x 40 CL8.8	2	
63	<b>R105-5708</b>	R121-4609	Plug - Expansion	1	
64	<b>R70-1350</b>		Spacer - 1/4 Fits Groomer Shaft	84	
65	<b>R95-5719</b>		Blade - Groomer	41	
66	<b>R94-2958</b>	R2411-7	Stud - Alloy Ball Joint	2	
67	<b>R3254-6</b>	446142, R01-166-0010, R01-166-0280, R01-166-0610, R12H304, R3253-5, R3254-18, R3290-223, R446140, R446142, R48-9370	Washer - Lock 3/8	2	
68	<b>R105-5775</b>		Retaining Ring - Reel Coupling	1	
69	<b>R106-2633</b>		Bolt - Hex Washer M10-1.5 x 16	2	
70	<b>R32120-93</b>		Snap Ring - HD	2	
71	<b>R104-0532</b>		Washer - Pulley	1	
72	<b>R105-5740</b>		Hook - Lift	1	
73	<b>R33115-025</b>	R48-7780	Bolt - Hex HD M10-1.5 x 25	2	
74	<b>R106-2600G</b>		Grass Shield	1	
75	<b>R104-2628</b>		Bolt - Hex Washer M6-1.0 x 12	2	

All original equipment manufacturers names and part numbers are used for identification purposes only, and we are in no way implying that our products are original equipment parts. Prices subject to change without notice.



# Replaces R&R Products Versa-Green

## 1860 Parts

*Dual Adjust Cutting Unit  
Reel & Bedknife*



Item No	R&R Part No.	OEM Part No.	Description	Qty Req	Order Quantity
76	<b>R33114-016</b>	R19M7162, R42-9230, R42-9270, R48-7690, R48-7700	Bolt - Hx HD 8mm x 1.25 x 15	2	
77	<b>R453009</b>	3256-3, R01-166-0400, R24-10-BD, R24-9-AD, R24H1136, R32-9650, R3256-2, R3256-23, R3256-67, R3290-217, R3556-3, R4-2390, R452006, R7-0152	Washer - Flat 5/16 SAE	2	
78	<b>R33024-00</b>		Locknut - 8mm x 1.25	4	

All original equipment manufacturers names and part numbers are used for identification purposes only, and we are in no way implying that our products are original equipment parts. Prices subject to change without notice.