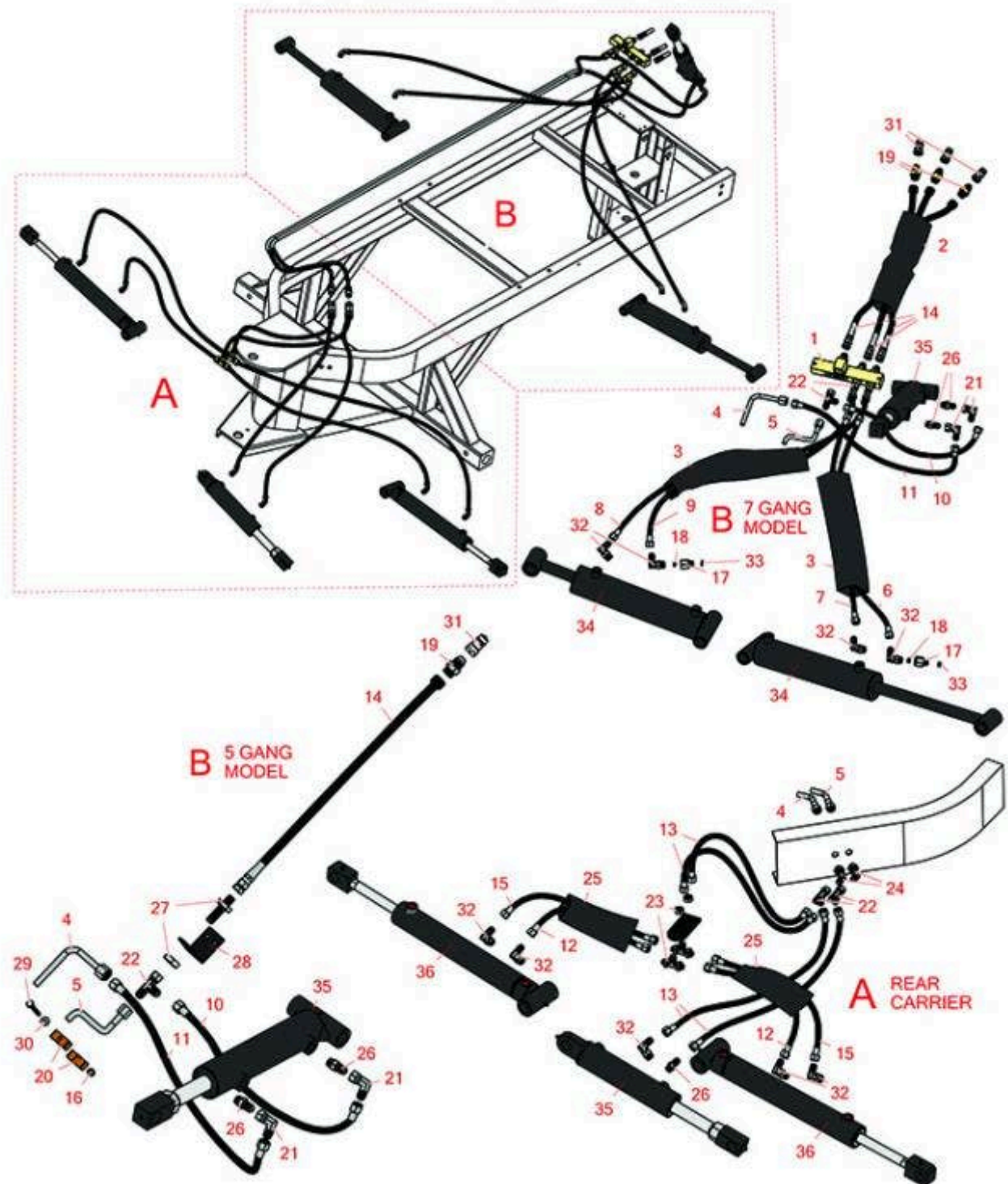




# Replaces R&R Products Power Lift

## 5133GD Parts

Pull Frame  
Hydraulics



All original equipment manufacturers names and part numbers are used for identification purposes only, and we are in no way implying that our products are original equipment parts. Prices subject to change without notice.



# Replaces R&R Products Power Lift 5133GD Parts

*Pull Frame  
Hydraulics*



Item No	R&R Part No.	OEM Part No.	Description	Qty Req	Order Quantity
1	<b>R101436</b>	R131639	Hydraulic Manifold - Fits 7 Gang Hyd	1	
2	<b>R101440</b>		Hose Sleeve - 60 in	1	
3	<b>R101441</b>		Hose Sleeve - 24 in	1	
4	<b>R116658</b>		Tube Assy - Hyd Line to 45 Fitting	1	
5	<b>R116659</b>		Tube Assy - Hyd Line Tee to 45	1	
6	<b>R131616</b>		Hydraulic Hose Assy - 69 in - Fits 7 Gang	1	
7	<b>R131617</b>		Hydraulic Hose Assy - 74 in - Fits 7 Gang	1	
8	<b>R131618</b>		Hydraulic Hose Assy - 64 in - Fits 7 Gang	1	
9	<b>R131619</b>		Hydraulic Hose Assy - 66 in - Fits 7 Gang	1	
10	<b>R131622</b>		Hydraulic Hose Assy - 20 in - Front Lift Pres	1	
11	<b>R131623A</b>		Hydraulic Hose Assy - 16 in	1	
12	<b>R131624</b>		Hydraulic Hose Assy - 47 in - Fits Hyd Frame	2	
13	<b>R131625</b>		Hydraulic Hose Assy - 21.25 in	4	
14	<b>R131626</b>		Hydraulic Hose Assy - 82 in - Fits Hyd Gang	3	
15	<b>R131627</b>		Hydraulic Hose Assy - 60.5 in - Fits Hyd Fr	2	
16	<b>R32152-4</b>	444708, R444708	Locknut - 1/4-20 All Metal	1	
17	<b>R337317</b>		Hydraulic Fitting - Restricted Flow	2	
18	<b>R353190</b>		Orifice - Hyd Fitting Use w/R337317	2	
19	<b>R351108</b>		Adapter	3	
20	<b>R353001</b>		Clamp - Hyd Line	2	
21	<b>R353008</b>		Hydraulic Fitting - Swivel Nut Elbow	2	

All original equipment manufacturers names and part numbers are used for identification purposes only, and we are in no way implying that our products are original equipment parts. Prices subject to change without notice.



# Replaces R&R Products Power Lift 5133GD Parts

*Pull Frame  
Hydraulics*



Item No	R&R Part No.	OEM Part No.	Description	Qty Req	Order Quantity
22	<b>R359186</b>		Tee Swivel - Nut Run	5	
23	<b>R360566</b>		Fitting - Bulkhead Tee 3/8	2	
24	<b>R363264</b>		Bulkhead Union 45 Elbow - 3/8	2	
25	<b>R363279</b>		Hose Sleeve	2	
26	<b>R363287</b>		Male Connector	2	
27	<b>R363290</b>		Union - Bulkhead w/Nut 1/2	1	
28	<b>R363291</b>		Bracket - Black	1	
29	<b>R400118</b>		Bolt - Hex HD 1/4-20 x 1-3/4 GR5	2	
30	<b>R453023</b>	R3256-1, R3256-72	Washer - Flat 1/4	2	
31	<b>R8010-4</b>		Quick Couple - Hyd Hose	3	
32	<b>R351107</b>		Male Elbow - 37 Deg to O-Ring	7	
33	<b>R237-42</b>	R31-4160, R339897	O-Ring	2	
34	<b>R163216</b>		Hydraulic Cylinder - Outrigger	2	
35	<b>R163215</b>		Hydraulic Cylinder	2	
36	<b>R163217</b>		Hydraulic Cylinder	2	

All original equipment manufacturers names and part numbers are used for identification purposes only, and we are in no way implying that our products are original equipment parts. Prices subject to change without notice.