

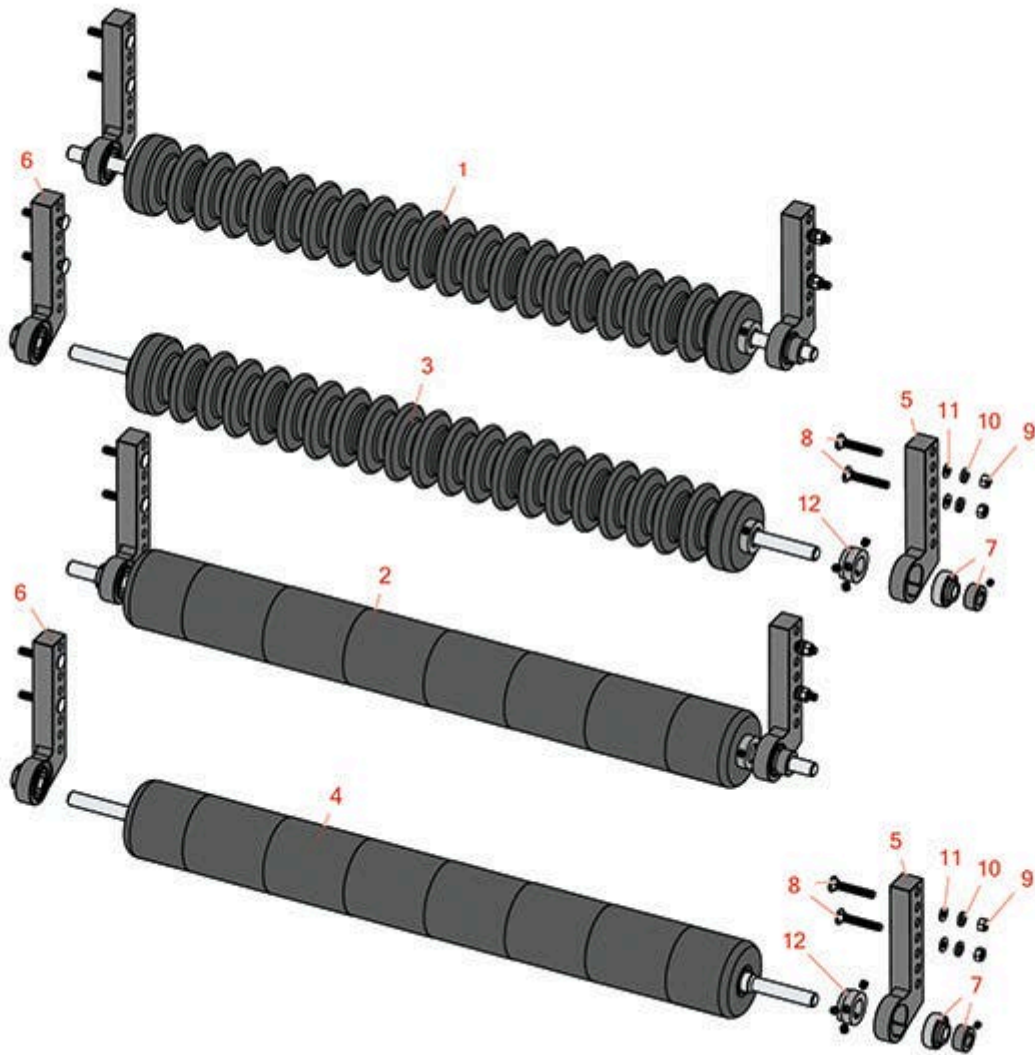


# Replaces R&R Products Power Lift

## 5133GD Parts

*Premier Cutting Unit*

*Minuteman Roller System*



All original equipment manufacturers names and part numbers are used for identification purposes only, and we are in no way implying that our products are original equipment parts. Prices subject to change without notice.



# Replaces R&R Products Power Lift

## 5133GD Parts

Premier Cutting Unit

Minuteman Roller System



Item No	R&R Part No.	OEM Part No.	Description	Qty Req	Order Quantity
---------	--------------	--------------	-------------	---------	----------------

### Complete Minuteman Roller Systems

1	<b>RMJ9022</b>		Minuteman Rear Grooved Roller System	0	
---	----------------	--	--------------------------------------	---	--

*Tech Note: Complete roller systems include roller and two brackets with bearings.:*

2	<b>RMJ9023</b>		Minuteman Rear Smooth Roller System	0	
---	----------------	--	-------------------------------------	---	--

*Tech Note: Complete roller systems include roller and two brackets with bearings.:*

### Minuteman Rollers Only

3	<b>RM534</b>		Minuteman Grooved Roller Only	0	
---	--------------	--	-------------------------------	---	--

*Tech Note: Use with Minuteman Roller Bracket System Only:*

4	<b>RM535</b>		Minuteman Smooth Roller Only	0	
---	--------------	--	------------------------------	---	--

*Tech Note: Use with Minuteman Roller Bracket System Only:*

### Other Parts Available

5	<b>RJ931</b>		Bracket - Rear LH	0	
---	--------------	--	-------------------	---	--

6	<b>RJ932</b>		Bracket - Rear RH	0	
---	--------------	--	-------------------	---	--

7	<b>RMMB157</b>		Bearing w/Locking Collar	0	
---	----------------	--	--------------------------	---	--

8	<b>RMM602</b>		Bolt - Carriage 5/16-18 x 2 Gr 5	0	
---	---------------	--	----------------------------------	---	--

9	<b>RMM603</b>		Nut - Hex 5/16-18	0	
---	---------------	--	-------------------	---	--

10	<b>R446136</b>	446136, R446134	Washer - Lock 5/16 Zinc	0	
----	----------------	--------------------	-------------------------	---	--

All original equipment manufacturers names and part numbers are used for identification purposes only, and we are in no way implying that our products are original equipment parts. Prices subject to change without notice.



# Replaces R&R Products Power Lift 5133GD Parts

*Premier Cutting Unit  
Minuteman Roller System*



Item No	R&R Part No.	OEM Part No.	Description	Qty Req	Order Quantity
11	<b>R453009</b>	3256-3, R01-166-0400, R24-10-BD, R24-9-AD, R24H1136, R32-9650, R3256-2, R3256-23, R3256-67, R3290-217, R3556-3, R4-2390, R452006, R7-0152	Washer - Flat 5/16 SAE	0	
12	<b>RMM3</b>		End Hub - 7/8 ID	0	

All original equipment manufacturers names and part numbers are used for identification purposes only, and we are in no way implying that our products are original equipment parts. Prices subject to change without notice.