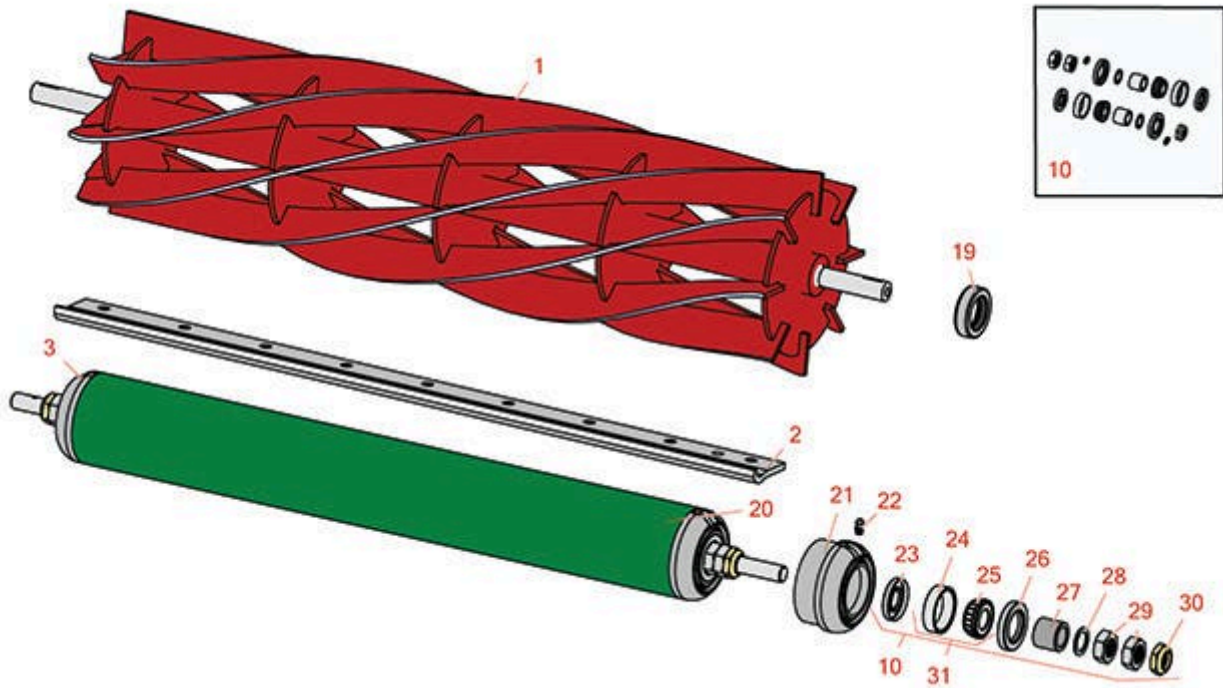




# Replaces Roxy Reel Mower Parts

Cutting Unit  
Reel & Bedknife



All original equipment manufacturers names and part numbers are used for identification purposes only, and we are in no way implying that our products are original equipment parts. Prices subject to change without notice.



# Replaces Roxy Reel Mower Parts

Cutting Unit  
Reel & Bedknife



Item No	R&R Part No.	OEM Part No.	Description	Qty Req	Order Quantity
---------	--------------	--------------	-------------	---------	----------------

1	RT-38-8	1	Reel - 8 Blade	0	
---	---------	---	----------------	---	--

*Detail Description: R&R Reel blades are expertly crafted from premium high carbon-boron alloy steel, heat-treated to perfectly complement both R&R and OEM bedknives. Each reel undergoes precision cylindrical grinding on bearing surfaces, followed by relief grinding for optimal performance. Advanced computer balancing ensures extended reel and bearing life. Backed by our lifetime guarantee against defects in materials and craftsmanship under normal use, R&R Reels deliver unmatched durability and cutting precision you can trust.:*

## R&R Reels, Lifetime Guaranteed

1	RT-38-6	1	Reel - 6 Blade	0	
---	---------	---	----------------	---	--

*Detail Description: R&R Reel blades are expertly crafted from premium high carbon-boron alloy steel, heat-treated to perfectly complement both R&R and OEM bedknives. Each reel undergoes precision cylindrical grinding on bearing surfaces, followed by relief grinding for optimal performance. Advanced computer balancing ensures extended reel and bearing life. Backed by our lifetime guarantee against defects in materials and craftsmanship under normal use, R&R Reels deliver unmatched durability and cutting precision you can trust.:*

## R&R Bedknives, Lifetime Guaranteed

2	RT-420RR	1	Bedknife	0	
---	----------	---	----------	---	--

*Detail Description: R&R Bedknives are manufactured from high carbon-boron alloy steel and then hardened to RC46-49 to match the temper of our reel blades and original equipment reels. Bedknives are surface ground on the top and front edge and straightened three times before being packaged with oil for rust prevention. All R&R Bedknives now have an increased front edge grind for added life. All R&R Bedknives are guaranteed against defects in material and workmanship under normal use for the life of the part.:*

## Rollers

3	RL-30A	1	Roller - Green Fits Roxy	0	
---	--------	---	--------------------------	---	--

## Overhaul Kits

10	R100165		Overhaul Kit - Roller	0	
----	---------	--	-----------------------	---	--

*Detail Description: Includes 2 ea.: R253-117 Seals, R253-122 Seals, R254-78 Bearings, R254-79 Bearing Cups, R302-5 Grease Fittings, R3220-7 Nuts, R47-7510 Washers, R5-4523 Sleeves; 1 ea.: R3296-15 Locknut:*

## Other Parts Available

All original equipment manufacturers names and part numbers are used for identification purposes only, and we are in no way implying that our products are original equipment parts. Prices subject to change without notice.



# Replaces Roxy Reel Mower Parts

Cutting Unit  
Reel & Bedknife



Item No	R&R Part No.	OEM Part No.	Description	Qty Req	Order Quantity
19	<b>R203003</b>	2	Seal - Fits Roxy Turf Reel	0	
20	<b>R5-3940</b>	1	Tube - Roller	0	
21	<b>R4-5659</b>	2	Roller End	0	
22	<b>R302-5</b>	2	Fitting - Grease	0	
23	<b>R253-122</b>	2	Seal	0	
24	<b>R254-79</b>	2	Cup - Bearing	0	
<i>Detail Description: Use R254-79M installation mandrel to properly install race.:</i>					
25	<b>R254-78</b>	2	Tapered Bearing Cone	0	
26	<b>R253-117</b>	2	Seal - Outer Triple Lip	0	
27	<b>R5-4523</b>	2	Sleeve - Roller	0	
28	<b>R47-7510</b>	2	Washer - Nylon	0	
29	<b>R3220-7</b>	4	Nut - 3/4-16 Jam Zinc	0	
30	<b>R3296-15</b>	2	Locknut - 3/4-16 Nylon Jam	0	
31	<b>R500534</b>	2	Bearing - with Cup	0	
<i>Detail Description: Kit includes: 1 ea R254-78- Bearing Cone &amp; R254-79 Bearing Cone:</i>					

All original equipment manufacturers names and part numbers are used for identification purposes only, and we are in no way implying that our products are original equipment parts. Prices subject to change without notice.