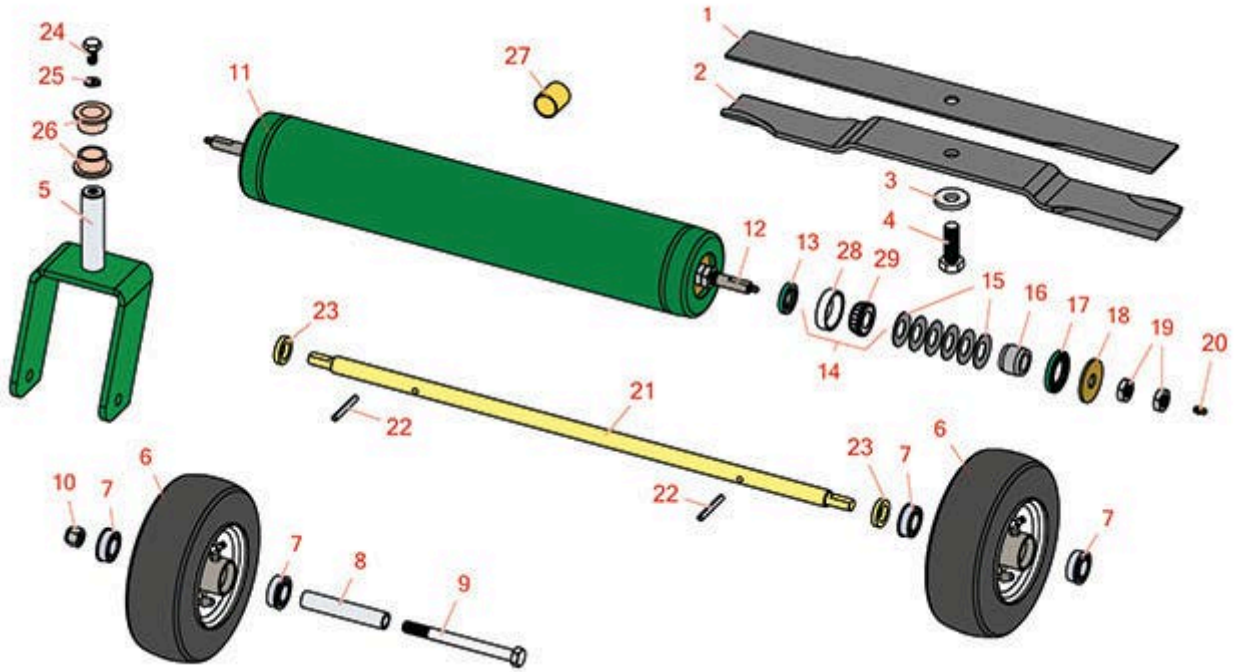




Replaces Ransomes AR250 Parts

Rotary Deck
Rotary Parts



All original equipment manufacturers names and part numbers are used for identification purposes only, and we are in no way implying that our products are original equipment parts. Prices subject to change without notice.



Replaces Ransomes AR250 Parts

Rotary Deck

Rotary Parts



Item No	R&R Part No.	OEM Part No.	Description	Qty Req	Order Quantity
1	R2192502-03	2192502-03	Mower Blade - Mulcher	1	
2	R112243-05	112243-05	Mower Blade - Standard Lift	1	
2	R112111-05	112111-05	Mower Blade - 22 in High-Lift	1	
3	R64209-03	64209-03	Washer - Spring Blade Bolt	1	
4	R64123-211	64123-211	Bolt - Blade 5/8-18 x 1-3/4	1	
5	R2206164	2206164	Caster Fork	2	
6	R2208159	2208159	Caster Wheel - 8x300-4.00	0	
6	RCT5120081	2208159-01	Tire - 8x3.00-4 Nhs (4 Ply) Carlisle Smooth	2	
7	R2188123-03	2188123-03	Bearing - Caster Wheel	2	
8	R62-4340	2203097	Bushing - Spanner Front	2	
9	R325-22	64123-166	Bolt - Hx HD 1/2-13 x 5 1/2	2	
10	RF5003	64229-05	Locknut - ESNA 1/2-13	2	
11	R2206195	2206195	Roller - Smooth Tubular Steel	1	
12	R2203012	2203012	Shaft - 22 in Roller	1	
13	R253-120	2208011-02	Seal	2	
14	R500534	2208006	Bearing - with Cup	2	
15	R64209-06	64209-06	Washer - Spring Roller	12	
16	R2203022	2203022	Sleeve - Wear - Roller	2	
17	RAN121759	2208011-03	Seal	2	
18	R2202010	2202010	Shield - Roller	2	
19	R64244-02	64244-02	Nut - Hex Jam 16mm x 2.0	4	
20	RA299301	A299301	Fitting - Grease	2	

All original equipment manufacturers names and part numbers are used for identification purposes only, and we are in no way implying that our products are original equipment parts. Prices subject to change without notice.



Replaces Ransomes AR250 Parts

Rotary Deck

Rotary Parts



Item No	R&R Part No.	OEM Part No.	Description	Qty Req	Order Quantity
21	R2722149	2203086, 2722149	Shaft - Front Castor Wheels	1	
22	R64176-03	64176-03	Pin - Roll 1/4 x 2	2	
23	R64163-71	64163-71	Washer - Castor Wheel Shaft	2	
24	R64205-007	64205-007	Bolt - Hex HD M10-1.5 x 20	2	
25	R800488	800488	Washer - Lock M10	2	
26	R48053-07	48053-07	Bushing - Flanged Castor Fork	4	
27	R48048A	48048A	Sleeve - Bearing Bronze	2	
28	R254-79		Cup - Bearing	2	
<i>Tech Note: Use R254-79M installation mandrel to properly install race.:</i>					
29	R254-78		Tapered Bearing Cone	3	

All original equipment manufacturers names and part numbers are used for identification purposes only, and we are in no way implying that our products are original equipment parts. Prices subject to change without notice.