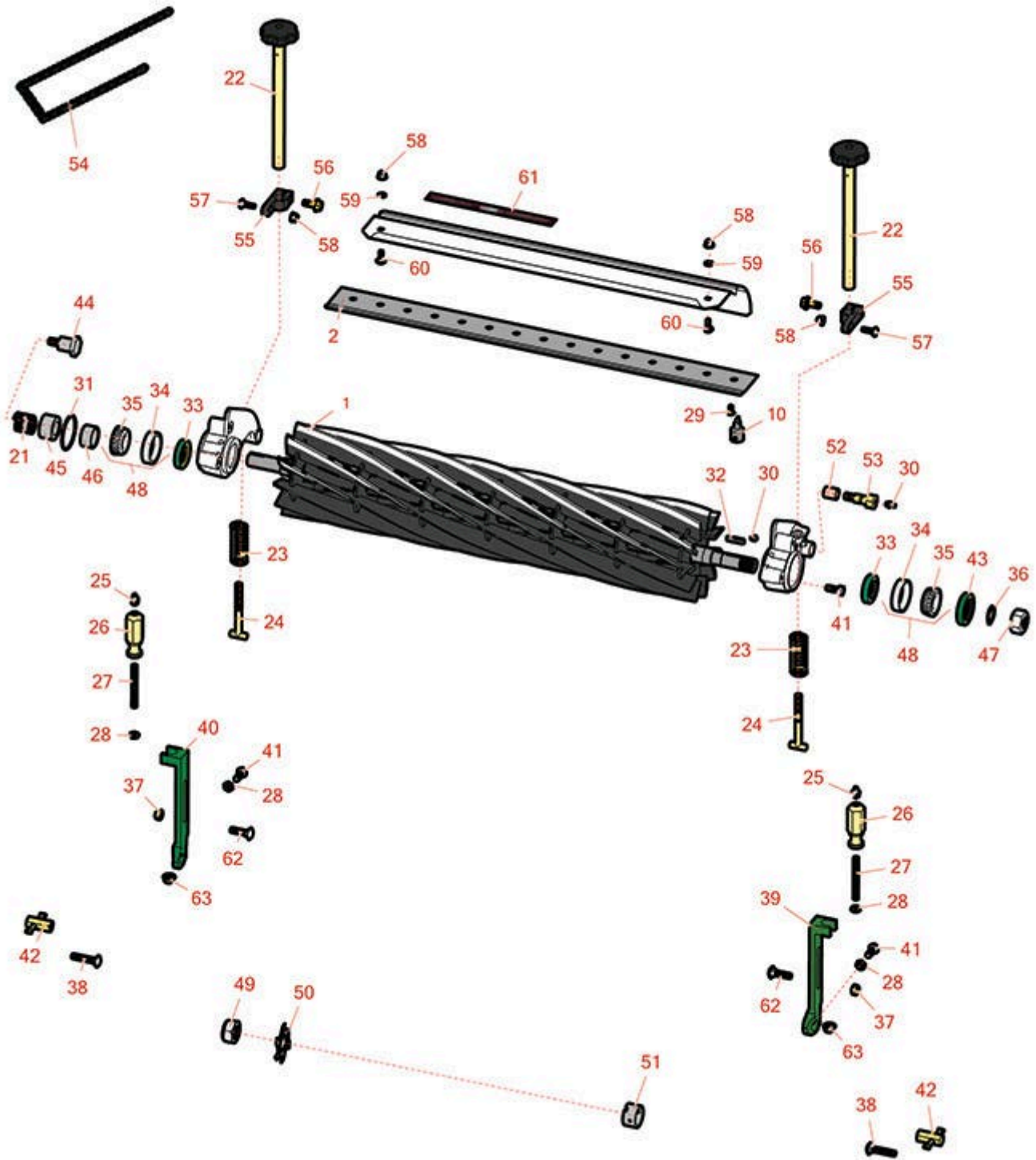




# Replaces John Deere 260C Walk-Behind Greens Mower Parts

Cutting Unit  
Reel & Bedknife



All original equipment manufacturers names and part numbers are used for identification purposes only, and we are in no way implying that our products are original equipment parts. Prices subject to change without notice.



# Replaces John Deere 260C Walk-Behind Greens Mower Parts

Cutting Unit  
Reel & Bedknife



Item R&R No	Part No.	OEM Part No.	Description	Qty Req	Order Quantity
-------------	----------	--------------	-------------	---------	----------------

## R&R Reels, Lifetime Guaranteed

1	<b>RAMT2903</b>	AMT2903	Reel - 7 Blade 26in	1
---	-----------------	---------	---------------------	---

*Detail Description: R&R Reel blades are expertly crafted from premium high carbon-boron alloy steel, heat-treated to perfectly complement both R&R and OEM bedknives. Each reel undergoes precision cylindrical grinding on bearing surfaces, followed by relief grinding for optimal performance. Advanced computer balancing ensures extended reel and bearing life. Backed by our lifetime guarantee against defects in materials and craftsmanship under normal use, R&R Reels deliver unmatched durability and cutting precision you can trust.:*

1	<b>RAMT2898</b>	AMT2716, AMT2898	Reel - 11 Blade 26in	1
---	-----------------	---------------------	----------------------	---

*Detail Description: R&R Reel blades are expertly crafted from premium high carbon-boron alloy steel, heat-treated to perfectly complement both R&R and OEM bedknives. Each reel undergoes precision cylindrical grinding on bearing surfaces, followed by relief grinding for optimal performance. Advanced computer balancing ensures extended reel and bearing life. Backed by our lifetime guarantee against defects in materials and craftsmanship under normal use, R&R Reels deliver unmatched durability and cutting precision you can trust.:*

## R&R Bedknives, Lifetime Guaranteed

2	<b>RMT6946</b>	MT6946, UC18883	Bedknife - High Cut	1
---	----------------	--------------------	---------------------	---

*Detail Description: R&R Bedknives are manufactured from high carbon-boron alloy steel and then hardened to RC46-49 to match the temper of our reel blades and original equipment reels. Bedknives are surface ground on the top and front edge and straightened three times before being packaged with oil for rust prevention. All R&R Bedknives now have an increased front edge grind for added life. All R&R Bedknives are guaranteed against defects in material and workmanship under normal use for the life of the part.:*

2	<b>RMT6947</b>	MT6947, UC18871	Bedknife - Standard Thin	1
---	----------------	--------------------	--------------------------	---

*Detail Description: R&R Bedknives are manufactured from high carbon-boron alloy steel and then hardened to RC46-49 to match the temper of our reel blades and original equipment reels. Bedknives are surface ground on the top and front edge and straightened three times before being packaged with oil for rust prevention. All R&R Bedknives now have an increased front edge grind for added life. All R&R Bedknives are guaranteed against defects in material and workmanship under normal use for the life of the part.:*

## Service Tools and Kits

10	<b>R101278T</b>		Bedknife Screw Driver Tool	1
----	-----------------	--	----------------------------	---

All original equipment manufacturers names and part numbers are used for identification purposes only, and we are in no way implying that our products are original equipment parts. Prices subject to change without notice.



# Replaces John Deere 260C Walk-Behind Greens Mower Parts

Cutting Unit  
Reel & Bedknife



Item No	R&R Part No.	OEM Part No.	Description	Qty Req	Order Quantity
---------	--------------	--------------	-------------	---------	----------------

*Tech Note: Easily install and remove bed knife screws with the help of a ratchet. Tool manufactured with hardened alloy steel.:*

*Detail Description: Easily install and remove bed knife screws with the help of a ratchet. Tool manufactured with hardened alloy steel.:*

## Other Parts Available

21	<b>RET11053</b>	ET11053	Spring - Reel	1
22	<b>RAMT2798</b>	AMT2798	Handle - Adjuster	2
23	<b>RET11070</b>	ET11070	Spring - Bed Bar	2
24	<b>RET11372</b>	ET11372	Bolt - Adjusting Bed Bar	2
25	<b>R471219</b>	471219, 471231, JD7759, JD7798	Zerk - Grease	2
26	<b>RMT1087</b>	MT1087	Knob - Adjusting Roller	2
27	<b>RMT1088</b>	MT1088	Stud - Roller Adj.	2
28	<b>R14M7151</b>	14M7151	Nut - Jam Roller Adj	4
29	<b>R101278</b>	21M7194	Screw - Bedknife	11
30	<b>R302-5</b>	JD7797, JD7842, JD7844	Fitting - Grease	4
31	<b>RM44162</b>	M44162	O-Ring - Reel	1
32	<b>R49M7049</b>	49M7049	Key - 5mm x 22mm	1
33	<b>RMT1160</b>	MT1160	Seal - Reel	2
34	<b>RMT2108</b>	MT2108	Tapered Bearing Cup	2
35	<b>RAMT1108</b>	AMT1108	Tapered Bearing Cone	2

All original equipment manufacturers names and part numbers are used for identification purposes only, and we are in no way implying that our products are original equipment parts. Prices subject to change without notice.



# Replaces John Deere 260C Walk-Behind Greens Mower Parts

Cutting Unit  
Reel & Bedknife



Item No	R&R Part No.	OEM Part No.	Description	Qty Req	Order Quantity
36	<b>R40M7080</b>	40M7080, ET11059	Ring - Snap	1	
37	<b>R14M7166</b>	14M7166	Locknut - 8mm x 1.25 ESNA	2	
38	<b>R03M7186</b>	03M7186	Bolt - Carriage 8-1.25 x 30mm	4	
39	<b>RMT5244</b>	MT5244	Bracket - Roller LH	1	
40	<b>RMT5245</b>	MT5245	Bracket - Roller RH	1	
41	<b>R19M7881</b>	19M7881	Bolt - Hex HD M8-1.25 x 20	6	
41	<b>RA50744</b>	A50744	Screw - 8mm-1.25 x 25 Sq HD	2	
42	<b>RET11356</b>	ET11356	Nut - Adjusting	2	
43	<b>RET11073</b>	ET11073	Seal - Reel Outer	1	
44	<b>RET11367</b>	ET11367	Cap Screw - Special	1	
45	<b>RET11464</b>	ET11464	Spacer	1	
46	<b>RET11368</b>	ET11368	Spacer	1	
47	<b>R14M7306</b>	14M7306	Nut - M20-1.5	1	
48	<b>R500610</b>	AMT1108	Tapered Bearing Set - Cup and Cone	2	
<i>Detail Description: Includes:RAMT1108 &amp; RMT2108:</i>					
49	<b>RN198341</b>	N198341	Nut - Nyloc 7/8-14	1	
50	<b>RET14707</b>	ET14707	Verti-Cut Blade - .025 x 2.375	88	
50	<b>RET14707C</b>		Verti-Cut Blade - .025 x 2.375 Carbide Tipped	88	
51	<b>RET14917</b>	ET14917	Spacer	1	
52	<b>RP44946</b>	P44946	Bushing - Bronze	1	

All original equipment manufacturers names and part numbers are used for identification purposes only, and we are in no way implying that our products are original equipment parts. Prices subject to change without notice.



# Replaces John Deere 260C Walk-Behind Greens Mower Parts

*Cutting Unit  
Reel & Bedknife*



Item No	R&R Part No.	OEM Part No.	Description	Qty Req	Order Quantity
53	<b>RET11371</b>	ET11371	Screw - Special	1	
54	<b>RTCA16596</b>	TCA16596	Roller Chain #35	1	
55	<b>RUC16469</b>	MT6952, UC16469	Clamp	2	
56	<b>R19M7866</b>	19M7866	Bolt - Flanged Hex M8-1.25 x 20	2	
57	<b>R03M7222</b>	03M7222	Bolt - Carriage M6-1.0 x 20	2	
58	<b>R14M7397</b>	14M7397, 14M7463	Locknut - 6mm x 1.0 ESNA Flanged	4	
59	<b>R24M7139</b>	24M7139	Washer - Flat 6mm	2	
60	<b>R03M7221</b>	03M7221	Bolt - Carriage M6 x 16	4	
61	<b>RMT6517</b>	MT6517	Label - Warning	1	
62	<b>R03M7094</b>	03M7094	Bolt - Carriage M8-1.25 x 30	2	
63	<b>RE63525</b>	E63525	Nut - Flanged M8-1.25	2	

All original equipment manufacturers names and part numbers are used for identification purposes only, and we are in no way implying that our products are original equipment parts. Prices subject to change without notice.