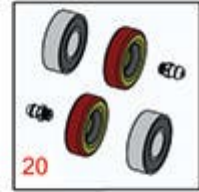
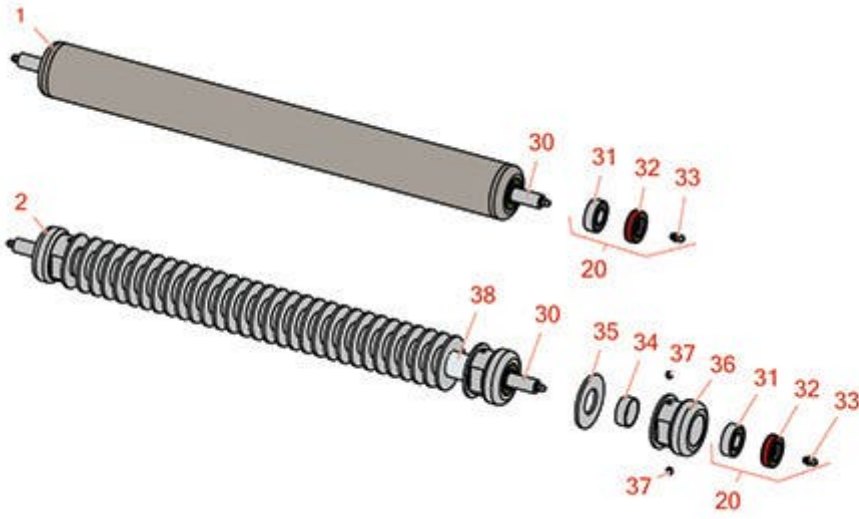




# Replaces John Deere 22 Greens Mower

## Parts

Cutting Unit  
Rollers



All original equipment manufacturers names and part numbers are used for identification purposes only, and we are in no way implying that our products are original equipment parts. Prices subject to change without notice.



# Replaces John Deere 22 Greens Mower

## Parts

Cutting Unit  
Rollers



| Item No  | R&R Part No.     | OEM Part No.                 | Description                       | Qty Req | Order Quantity |
|--|------------------|------------------------------|-----------------------------------|---------|----------------|
| <b>R&amp;R Rollers</b>   |                  |                              |                                   |         |                |
| 1  | <b>R101281</b>   |                              | Roller - Smooth Tubular Steel     | 0       |                |
| <i>Tech Note: Constructed with a through shaft and greasable ball bearings.:</i>   |                  |                              |                                   |         |                |
| 2  | <b>RET11502R</b> |                              | Roller - Grooved Repairable Steel | 0       |                |
| <i>Tech Note: Constructed with a through shaft and greasable ball bearings, this roller can be repaired by unscrewing the ends and replacing the series of washers and spacers.:</i> |                  |                              |                                   |         |                |
| <b>Overhaul Kits</b>   |                  |                              |                                   |         |                |
| 20   | <b>R100130</b>   |                              | Overhaul Kit - Roller             | 0       |                |
| <i>Tech Note: Includes 2 ea.: R302-5 Grease Fittings, R303558 Bearings, &amp; R305115 Seals:</i>   |                  |                              |                                   |         |                |
| <b>Other Parts Available</b>   |                  |                              |                                   |         |                |
| 30   | <b>R500516</b>   | ET15221                      | Shaft - 2-3/8 Grooved Roller      | 1       |                |
| 31   | <b>R303558</b>   | ET15220                      | Bearing - Roller                  | 2       |                |
| 31   | <b>RG-43</b>     | M93189                       | Bearing - Roller                  | 2       |                |
| 32   | <b>R305115</b>   | ET15219                      | Seal - Roller                     | 2       |                |
| 32   | <b>RET11033</b>  | ET11033                      | Seal                              | 2       |                |
| 33   | <b>R302-5</b>    | JD7797,<br>JD7842,<br>JD7844 | Fitting - Grease                  | 2       |                |
| 34   | <b>R150651</b>   |                              | Spacer - 2-3/8 Roller             | 34      |                |
| 35   | <b>R150653</b>   |                              | Washer - 2-3/8 Roller             | 0       |                |
| 36   | <b>R150665</b>   |                              | Roller End - 2-3/8 Repairable     | 2       |                |
| 37   | <b>R150690</b>   |                              | Screw - Set 1/4-20 x 1/4          | 4       |                |
| 38   | <b>R150656</b>   |                              | Tube - Threaded RET11502R         | 1       |                |

All original equipment manufacturers names and part numbers are used for identification purposes only, and we are in no way implying that our products are original equipment parts. Prices subject to change without notice.