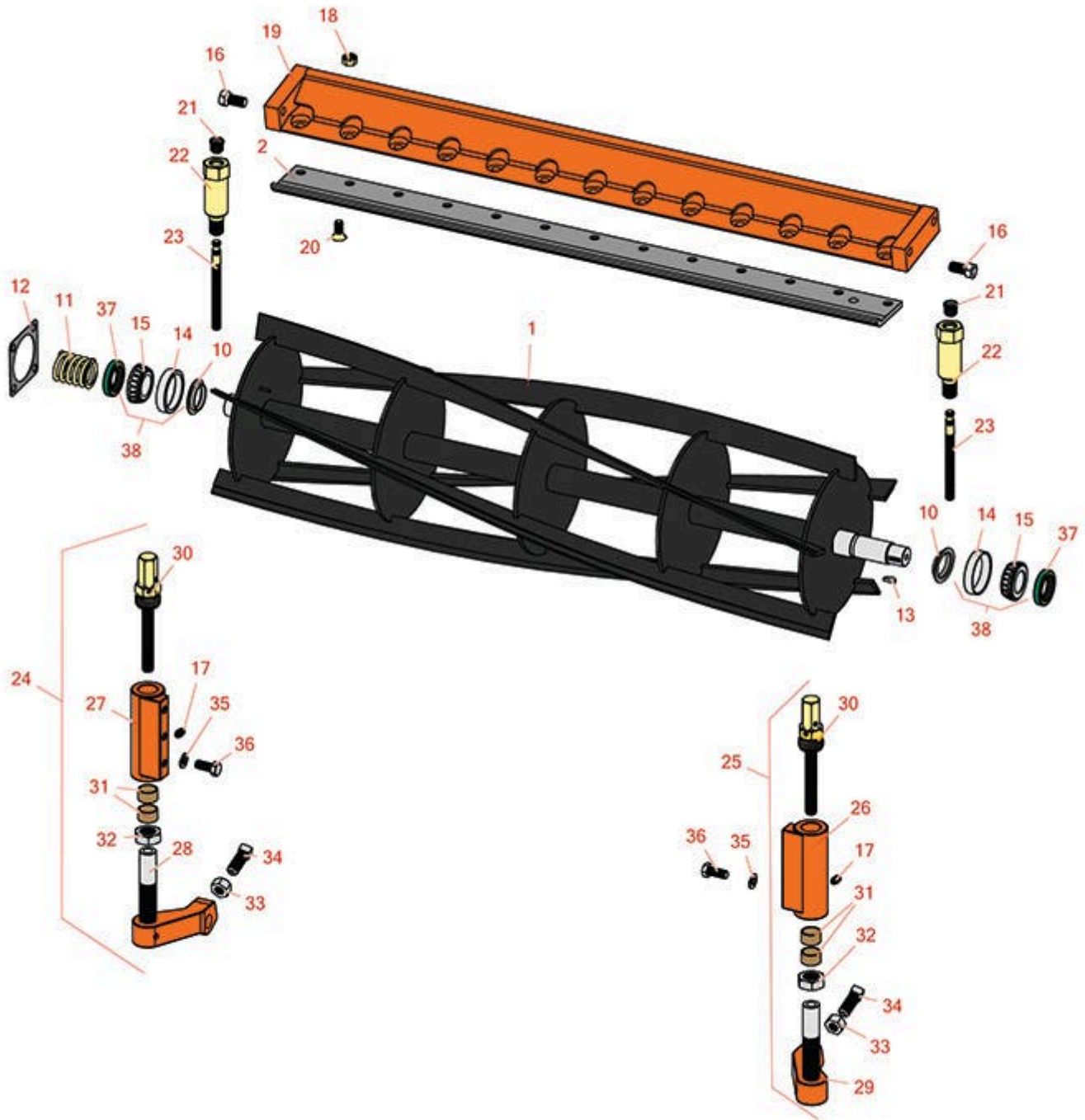




Replaces Jacobsen ST-5111 Parts

Cutting Unit
Reel & Bedknife



All original equipment manufacturers names and part numbers are used for identification purposes only, and we are in no way implying that our products are original equipment parts. Prices subject to change without notice.



Replaces Jacobsen ST-5111 Parts

Cutting Unit
Reel & Bedknife



Item No	R&R Part No.	OEM Part No.	Description	Qty Req	Order Quantity
R&R Reels, Lifetime Guaranteed					
1	R503522	503522	Reel - 5 Blade RH 9 Dia	3	
1	R503523	503523	Reel - 5 Blade LH 9 Dia	2	
1	R503524	503524	Reel - 10 Blade RH 9 Dia	3	
1	R503525	503525	Reel - 10 Blade LH 9 Dia	2	
R&R Bedknives, Lifetime Guaranteed					
2	R503550	331692, 503363, 503550	Bedknife - 30 in (13 Hole)	1	
Other Parts Available					
10	R364275	364275	Disc - Reel Shaft	2	
11	R350671	350671	Spring - Reel	1	
12	R345473	345473	Gasket - Reel Motor	1	
13	R463017	463017	Key - Woodruff	1	
14	R254-72	313456	Cup - Bearing	2	
15	R254-94	313089	Tapered Bearing Cone	2	
16	R315298	315298	Bolt - Bed Bar	4	
17	R302-5	302-5, 471214, 471223, 471226	Fitting - Grease	2	
18	R101271	445684	Nut - Bedknife	13	
19	R557618	121499, 557618	Backing Bar - Bedknife	1	
20	R101270	402698, 403757	Screw - Bedknife 3/8-24 x 13/16	13	

All original equipment manufacturers names and part numbers are used for identification purposes only, and we are in no way implying that our products are original equipment parts. Prices subject to change without notice.



Replaces Jacobsen ST-5111 Parts

Cutting Unit
Reel & Bedknife



Item No	R&R Part No.	OEM Part No.	Description	Qty Req	Order Quantity
21	R472519	472519	Plug - Adjusting Handle	2	
22	R3003611	3003611	Handle - Adjusting 3/8-24 Thread	2	
22	R365994	365994	Handle - Adjusting 3/8-16 Thread	2	
23	R3004189	3004189	Screw - Adjusting Reel 3/8-24 Thd	2	
23	R364265	364265	Screw - Adjusting Reel 3/8-16 Thd	2	
24	R132532	132532	Height Adjustment Assy RH	2	
25	R132533	132533	Height Adjustment Assy LH	2	
26	R163921	163921	Body - Assy LH	2	
27	R163920	163920	Body - Assy RH	2	
28	R131815	131815	Bracket - Roller RH	2	
29	R131814	131814	Bracket - Roller LH	2	
30	R163467	163467	Screw - Assy. HOC Adj.	4	
31	R304392	304392	Bushing - Bronze	8	
32	R3220-7	443832	Nut - 3/4-16 Jam Zinc	4	
33	R443818	443818	Nut - 1/2-13 Hex Jam Zinc	4	
34	R412003	412003	Screw - 1/2-13 x 1-1/2 Sq HD	4	
35	R3254-6	3254-6, 446140, 446142	Washer - Lock 3/8	12	
36	R400260	400260	Bolt - Hex HD 3/8-16 x 7/8	12	
37	R337593	3000983, 337593	Seal	2	
38	R500596	500596	Tapered Bearing Set - Cup and Cone	2	

All original equipment manufacturers names and part numbers are used for identification purposes only, and we are in no way implying that our products are original equipment parts. Prices subject to change without notice.