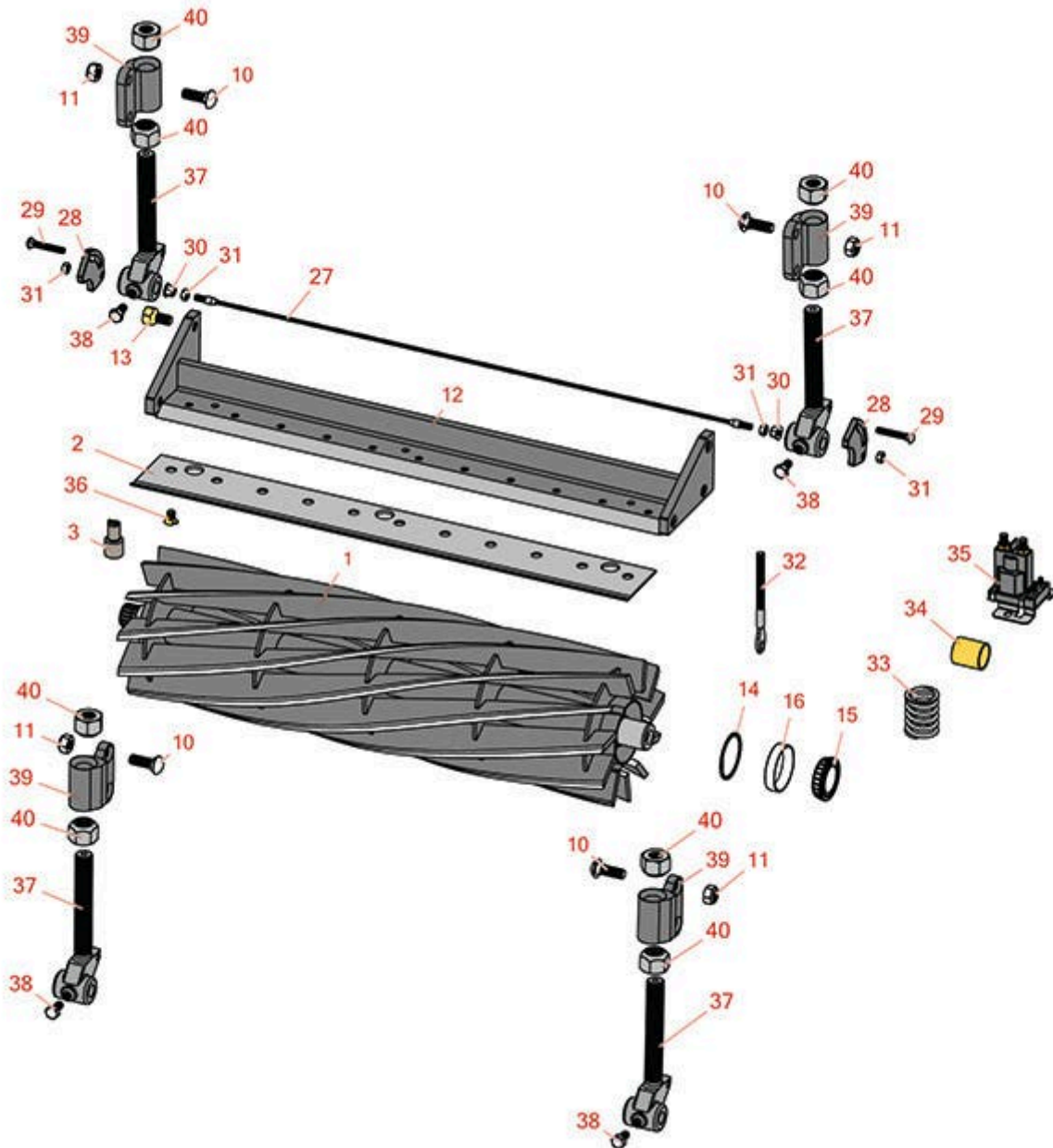




# Replaces Jacobsen LF-3050 Parts

Cutting Unit  
Reel & Bedknife



All original equipment manufacturers names and part numbers are used for identification purposes only, and we are in no way implying that our products are original equipment parts. Prices subject to change without notice.



# Replaces Jacobsen LF-3050 Parts

Cutting Unit  
Reel & Bedknife



Item No	R&R Part No.	OEM Part No.	Description	Qty Req	Order Quantity
---------	--------------	--------------	-------------	---------	----------------

### R&R Reels, Lifetime Guaranteed

1	<b>R4115122</b>	4115122	Reel - 11 Blade	1	
---	-----------------	---------	-----------------	---	--

*Tech Note: Fits 22 in Units Only:*

1	<b>R4115123</b>	4115123	Reel - 7 Blade	1	
---	-----------------	---------	----------------	---	--

*Tech Note: Fits 22 in Units Only:*

1	<b>R4115124</b>	4115124	Reel - 11 Blade	1	
---	-----------------	---------	-----------------	---	--

*Tech Note: Fits 26 in Units Only:*

1	<b>R4115125</b>	4115125	Reel - 7 Blade	1	
---	-----------------	---------	----------------	---	--

*Tech Note: Fits 26 in Units Only:*

### R&R Bedknives, Lifetime Guaranteed

2	<b>R2202002</b>	2202002	Bedknife - Thin 5mm	1	
---	-----------------	---------	---------------------	---	--

*Tech Note: Fits 22 in Units Only:*

2	<b>R2202305</b>	2202305	Bedknife - 10mm	1	
---	-----------------	---------	-----------------	---	--

*Tech Note: Fits 22 in Units Only:*

2	<b>R2202306</b>	2202306	Bedknife - 10mm	1	
---	-----------------	---------	-----------------	---	--

*Tech Note: Fits 26 in Units Only:*

### Service Tools

3	<b>R51-0880</b>		Bedknife Screw Driver Tool	0	
---	-----------------	--	----------------------------	---	--

### Other Parts Available

10	<b>R64243-01</b>	64243-01	Bolt - Carriage M10-1.5 x 30	4	
----	------------------	----------	------------------------------	---	--

11	<b>R64237-03</b>	64237-03	Locknut - 10mm x 1.5 Nylon Jam	8	
----	------------------	----------	--------------------------------	---	--

12	<b>R2206011</b>	2206011.7	Bed Bar - 22 in Units	1	
----	-----------------	-----------	-----------------------	---	--

12	<b>R2206081</b>	2206081.7	Bed Bar - 26 in Units	1	
----	-----------------	-----------	-----------------------	---	--

All original equipment manufacturers names and part numbers are used for identification purposes only, and we are in no way implying that our products are original equipment parts. Prices subject to change without notice.



# Replaces Jacobsen LF-3050 Parts

*Cutting Unit  
Reel & Bedknife*



Item No	R&R Part No.	OEM Part No.	Description	Qty Req	Order Quantity
13	<b>R64242</b>	64242	Stud - Bed Bar	6	
14	<b>R2208004</b>	2208004	Retaining Ring - Reel Housing	2	
15	<b>R4121172</b>	4121172	Tapered Bearing Cup	2	
16	<b>R4121173</b>	4121173	Tapered Bearing Cup	2	
27	<b>R2208018</b>	2208018	Scraper Cable - Fits 22 in Units	1	
27	<b>R2208019</b>	2208019	Scraper Cable - Fits 26 in Units	1	
28	<b>R2202132</b>	2202132	Bracket - Rear Roller Scraper	2	
29	<b>R64018-22</b>	64018-22	Bolt - Carriage M6 x 35	2	
30	<b>R64237-02</b>	64237-02	Locknut - ESNA 6mm x 1.0	2	
31	<b>R64207-06</b>	64207-06	Nut - M6 x 1.0	4	
32	<b>R2203020</b>	2203020	Adjusting Rod - Reel to Bedknife	2	
33	<b>R2208131</b>	2208131	Spring - Bed Bar	2	
34	<b>R48048A</b>	48048A	Sleeve - Bearing Bronze	2	
35	<b>R38665</b>	38665	Solenoid	1	
36	<b>R150477</b>	A119001	Screw - Bedknife 5/16-18 x 1/2	11	
37	<b>RMBE3982</b>	2201004	Bracket - Roller Front / Rear	4	
38	<b>R64205-018</b>	64205-018	Bolt - Hex HD M8-1.25 x 16	4	
39	<b>R2201010</b>	2201010.7	Housing - Roller Adj	4	
40	<b>R64254-01</b>	64254-01	Nut - Roller Adj.	8	

All original equipment manufacturers names and part numbers are used for identification purposes only, and we are in no way implying that our products are original equipment parts. Prices subject to change without notice.