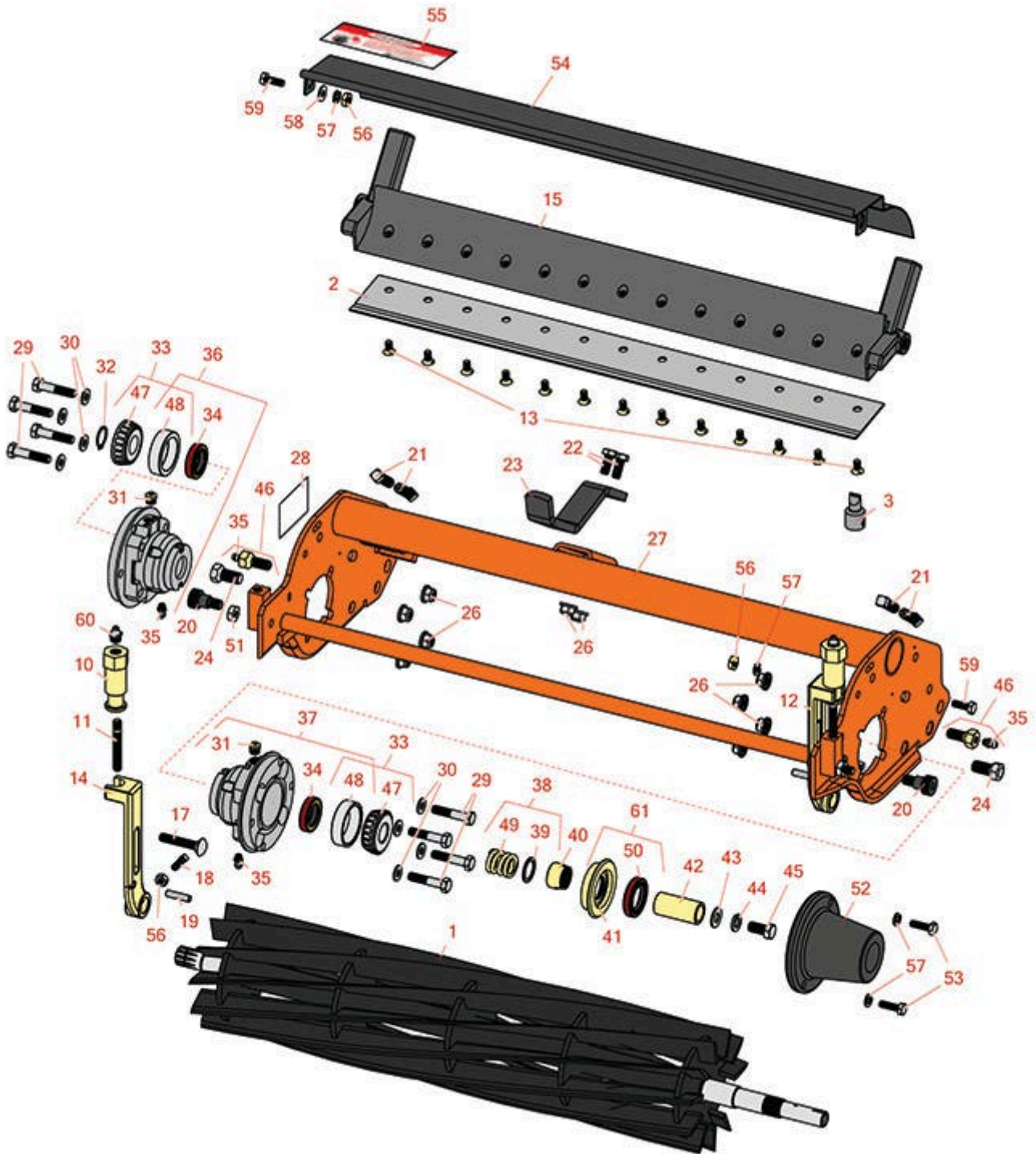




# Replaces Jacobsen G-Plex III Parts

Cutting Unit  
Reel & Bedknife



All original equipment manufacturers names and part numbers are used for identification purposes only, and we are in no way implying that our products are original equipment parts. Prices subject to change without notice.



# Replaces Jacobsen G-Plex III Parts

Cutting Unit  
Reel & Bedknife



Item No	R&R Part No.	OEM Part No.	Description	Qty Req	Order Quantity
---------	--------------	--------------	-------------	---------	----------------

## R&R Reels, Lifetime Guaranteed

1	<b>R503319</b>	5001095, 5003053, 503319	Reel - 7 Blade LH	1	
---	----------------	--------------------------------	-------------------	---	--

*Detail Description: R&R Reel blades are expertly crafted from premium high carbon-boron alloy steel, heat-treated to perfectly complement both R&R and OEM bedknives. Each reel undergoes precision cylindrical grinding on bearing surfaces, followed by relief grinding for optimal performance. Advanced computer balancing ensures extended reel and bearing life. Backed by our lifetime guarantee against defects in materials and craftsmanship under normal use, R&R Reels deliver unmatched durability and cutting precision you can trust.:*

1	<b>R503375</b>	5001099, 503375	Reel - 9 Blade LH	1	
---	----------------	--------------------	-------------------	---	--

*Detail Description: R&R Reel blades are expertly crafted from premium high carbon-boron alloy steel, heat-treated to perfectly complement both R&R and OEM bedknives. Each reel undergoes precision cylindrical grinding on bearing surfaces, followed by relief grinding for optimal performance. Advanced computer balancing ensures extended reel and bearing life. Backed by our lifetime guarantee against defects in materials and craftsmanship under normal use, R&R Reels deliver unmatched durability and cutting precision you can trust.:*

1	<b>R506636</b>	5000028, 5001101, 506636	Reel - 11 Blade LH	1	
---	----------------	--------------------------------	--------------------	---	--

*Detail Description: R&R Reel blades are expertly crafted from premium high carbon-boron alloy steel, heat-treated to perfectly complement both R&R and OEM bedknives. Each reel undergoes precision cylindrical grinding on bearing surfaces, followed by relief grinding for optimal performance. Advanced computer balancing ensures extended reel and bearing life. Backed by our lifetime guarantee against defects in materials and craftsmanship under normal use, R&R Reels deliver unmatched durability and cutting precision you can trust.:*

1	<b>R101357</b>		Reel - 14 Blade	1	
---	----------------	--	-----------------	---	--

*Detail Description: R&R Reel blades are manufactured from high carbon-boron alloy steel and then hardened to RC46-49 to match the temper of our bedknives and original equipment bedknives. All R&R Reels are cylindrically ground on bearing surfaces and then relief ground. Reels are then precision computer balanced for extended bearing and reel life. R&R Products Reels are guaranteed against defects in material and workmanship for the life of the reel under normal use.:*

## R&R Bedknives, Lifetime Guaranteed

2	<b>R5002771</b>	5002771	Bedknife - Low Cut	1	
---	-----------------	---------	--------------------	---	--

All original equipment manufacturers names and part numbers are used for identification purposes only, and we are in no way implying that our products are original equipment parts. Prices subject to change without notice.



# Replaces Jacobsen G-Plex III Parts

Cutting Unit  
Reel & Bedknife



Item No	R&R Part No.	OEM Part No.	Description	Qty Req	Order Quantity
---------	--------------	--------------	-------------	---------	----------------

*Detail Description: R&R Bedknives are manufactured from high carbon-boron alloy steel and then hardened to RC46-49 to match the temper of our reel blades and original equipment reels. Bedknives are surface ground on the top and front edge and straightened three times before being packaged with oil for rust prevention. All R&R Bedknives now have an increased front edge grind for added life. All R&R Bedknives are guaranteed against defects in material and workmanship under normal use for the life of the part.:*

2	<b>R503477</b>	101261, 503027, 503477, 549397	Bedknife - Thick .156-.438 HOC	1	
---	----------------	---	--------------------------------	---	--

*Detail Description: R&R Bedknives are manufactured from high carbon-boron alloy steel and then hardened to RC46-49 to match the temper of our reel blades and original equipment reels. Bedknives are surface ground on the top and front edge and straightened three times before being packaged with oil for rust prevention. All R&R Bedknives now have an increased front edge grind for added life. All R&R Bedknives are guaranteed against defects in material and workmanship under normal use for the life of the part.:*

2	<b>R503478</b>	101260, 503028, 503478, 549504	Bedknife - Thin .125-.219 HOC	1	
---	----------------	---	-------------------------------	---	--

*Detail Description: R&R Bedknives are manufactured from high carbon-boron alloy steel and then hardened to RC46-49 to match the temper of our reel blades and original equipment reels. Bedknives are surface ground on the top and front edge and straightened three times before being packaged with oil for rust prevention. All R&R Bedknives now have an increased front edge grind for added life. All R&R Bedknives are guaranteed against defects in material and workmanship under normal use for the life of the part.:*

2	<b>R503479</b>	503029, 503479	Bedknife - Tournament .094-.156 HOC	1	
---	----------------	-------------------	-------------------------------------	---	--

*Detail Description: R&R Bedknives are manufactured from high carbon-boron alloy steel and then hardened to RC46-49 to match the temper of our reel blades and original equipment reels. Bedknives are surface ground on the top and front edge and straightened three times before being packaged with oil for rust prevention. All R&R Bedknives now have an increased front edge grind for added life. All R&R Bedknives are guaranteed against defects in material and workmanship under normal use for the life of the part.:*

## R&R Razor Tool Steel Bedknives, Lifetime Guaranteed

2	<b>R101520</b>		Bedknife - Razor Tool Steel - 22 Micro Cut	1	
---	----------------	--	--	---	--

All original equipment manufacturers names and part numbers are used for identification purposes only, and we are in no way implying that our products are original equipment parts. Prices subject to change without notice.



# Replaces Jacobsen G-Plex III Parts

Cutting Unit  
Reel & Bedknife



Item R&R  
No Part No.

OEM  
Part No.

Description

Qty  
Req

Order  
Quantity

*Detail Description: R&R Razor bedknives are manufactured from premium alloy tool steel steel and then hardened to RC48-51 to match the temper of our Razor reel blades and original equipment premium series reels. Bedknives are surface ground on the top and front edge and specially packaged for rust prevention. All R&R Bedknives now have an increased front edge grind for added life. All R&R Bedknives are guaranteed against defects in material and workmanship under normal use for the life of the part. You can expect up to double the life over standard bedknives.:*

2	<b>R101521</b>		Bedknife - Razor Tool Steel - 22 Tournament Cut	1
---	----------------	--	--	---

*Detail Description: R&R Razor bedknives are manufactured from premium alloy tool steel steel and then hardened to RC48-51 to match the temper of our Razor reel blades and original equipment premium series reels. Bedknives are surface ground on the top and front edge and specially packaged for rust prevention. All R&R Bedknives now have an increased front edge grind for added life. All R&R Bedknives are guaranteed against defects in material and workmanship under normal use for the life of the part. You can expect up to double the life over standard bedknives.:*

## Service Tools

3	<b>R101272T</b>		Bedknife Screw Driver Tool	0
---	-----------------	--	----------------------------	---

*Tech Note: Easily install and remove bed knife screws with the help of a ratchet. Tool manufactured with hardened alloy steel.:*

*Detail Description: Easily install and remove bed knife screws with the help of a ratchet. Tool manufactured with hardened alloy steel.:*

## Other Parts Available

10	<b>R365009</b>	3005692, 365009, 365170, 441674	Knob - Adjusting Roller	2
11	<b>R343616</b>	343616, 443102	Stud	2
12	<b>R153979</b>	153979, 3008439	Bracket - Front Roller	1
13	<b>R101272</b>	101272, 3009138, 402578, 800813	Screw - Bedknife 1/4-20 x 1/2	13

All original equipment manufacturers names and part numbers are used for identification purposes only, and we are in no way implying that our products are original equipment parts. Prices subject to change without notice.



# Replaces Jacobsen G-Plex III Parts

Cutting Unit  
Reel & Bedknife



Item No	R&R Part No.	OEM Part No.	Description	Qty Req	Order Quantity
14	<b>R153980</b>	153980, 3008438	Bracket - Front Roller	1	
15	<b>R220278</b>	121856, 220278, 5000415	Backing Bar - Cast	1	
17	<b>R441674</b>	441674	Screw - 5/16-18 x 1-3/4 Carriage	2	
18	<b>R352737</b>	352737	Screw - Set 1/4 x 7/8 Sq Head	2	
19	<b>R461256</b>	461256	Pin - 1/4 x 1	2	
20	<b>R365246</b>	365246	Bolt - Shoulder w/Nyloc Patch	2	
21	<b>R412506</b>	412503, 412506	Screw - Bed Bar Adjusting	4	
22	<b>R400184</b>	400184, 400194	Screw - 5/16-18 x 3/4 Hex	2	
23	<b>R3010293</b>	3010293	Stop - Mower	1	
24	<b>R315298</b>	315298	Bolt - Bed Bar	2	
26	<b>R445795</b>	445795	Nut - 5/16-18 Flanged	10	
27	<b>R5002577</b>	5002577	Frame - Reel	1	
28	<b>R1000997</b>	1000997	Decal - Warning	1	
29	<b>R400192</b>	400192	Bolt - Hex HD 5/16-18 x 1-1/2	8	
30	<b>R453009</b>	3256-23, 452004, 452006, 452008, 453009	Washer - Flat 5/16 SAE	8	
31	<b>R170714</b>	170714, 471240, 471242	Fitting - Pressure Relief	2	
32	<b>R458013</b>	458013	Ring - Retaining	1	

All original equipment manufacturers names and part numbers are used for identification purposes only, and we are in no way implying that our products are original equipment parts. Prices subject to change without notice.



# Replaces Jacobsen G-Plex III Parts

Cutting Unit  
Reel & Bedknife



Item No	R&R Part No.	OEM Part No.	Description	Qty Req	Order Quantity
33	<b>R500534</b>	500534, R500534	Bearing - with Cup	2	
<i>Detail Description: Kit includes: 1 ea R254-78- Bearing Cone &amp; R254-79 Bearing Cone:</i>					
34	<b>R336962</b>	336962	Seal	2	
35	<b>R302-5</b>	302-5, 471214, 471223, 471226	Fitting - Grease	4	
36	<b>R1004756</b>	1004756	Housing - Bearing Drive End	1	
<i>Detail Description: Includes: R336962 Seal, R170714 Fitting, R302-5 Zerk &amp; R254-79 Cup:</i>					
37	<b>R164144</b>	1000480, 163397, 164144, 2000060	Housing - Reel Bearing	1	
<i>Detail Description: Includes R336962 Seal, R302-5 Zerk, R170714 Relief Fitting &amp; R254-79 Cup:</i>					
38	<b>R5002151</b>	5002151	Hardware Kit - Spring/Washer	1	
<i>Detail Description: Includes 1 ea: R304745 Washer, R363047 Spring:</i>					
39	<b>R304745</b>	304745	Washer - Reel	1	
40	<b>R364900</b>	364900	Nut - Reel Tension	1	
41	<b>R363814</b>	163892, 363814	Spacer - Seal	1	
42	<b>R367164</b>	367164	Spacer - Reel	1	
43	<b>R453011</b>	453011	Washer - Flat 3/8 SAE Y/Zinc	1	
44	<b>R3254-6</b>	3254-6, 446140, 446142	Washer - Lock 3/8	1	
45	<b>R400294</b>	400294	Screw - 3/8 24 x 3/4 Hex C/Zinc	1	

All original equipment manufacturers names and part numbers are used for identification purposes only, and we are in no way implying that our products are original equipment parts. Prices subject to change without notice.





# Replaces Jacobsen G-Plex III Parts

Cutting Unit  
Reel & Bedknife



Item No	R&R Part No.	OEM Part No.	Description	Qty Req	Order Quantity
46	<b>R345470</b>	1002226, 345470	Bolt - Rear Roller 7/16-20	2	
<i>Detail Description: Incl. Grease Zerk:</i>					
46	<b>R1002224</b>	1002224	Bolt - Rear Roller 3/8-24	2	
<i>Detail Description: Incl Grease Zerk:</i>					
47	<b>R254-78</b>	254-78, 385174, 4121174, 4135152	Tapered Bearing Cone	2	
48	<b>R254-79</b>	254-79, 4121175	Cup - Bearing	2	
<i>Detail Description: Use R254-79M installation mandrel to properly install race.:</i>					
49	<b>R363047</b>	348846, 363047	Spring - Reel	1	
50	<b>R337677</b>	315257, 337677	Seal - Oil	1	
61	<b>R163398</b>	163398, 163892	Seal - Spacer Assy	1	
51	<b>R443106</b>	443106	Nut - 5/16-18 Y/Zinc Plated	2	
52	<b>R2000065</b>	2000065	Weight - Counter	1	
53	<b>R321-5</b>	321-5, 400110	Bolt - Hex HD 1/4-20 x 7/8	2	
54	<b>R2810043</b>	2810043	Shield - Grass	1	
55	<b>R354083</b>	354083, 361877, 4127335	Decal - Danger	2	
56	<b>R443102</b>	443102	Nut - 1/4-20 Yellow Zinc	4	
57	<b>R3253-3</b>	3253-3, 446128, 446130	Washer - Lock 1/4	6	

All original equipment manufacturers names and part numbers are used for identification purposes only, and we are in no way implying that our products are original equipment parts. Prices subject to change without notice.



# Replaces Jacobsen G-Plex III Parts

*Cutting Unit  
Reel & Bedknife*



Item No	R&R Part No.	OEM Part No.	Description	Qty Req	Order Quantity
58	<b>R453023</b>	453023	Washer - Flat 1/4	2	
59	<b>R403782</b>	400018, 403782	Screw - 1/4-20 x 3/4 Truss Head	2	
60	<b>R471219</b>	366852, 471219	Zerk - Grease	2	

All original equipment manufacturers names and part numbers are used for identification purposes only, and we are in no way implying that our products are original equipment parts. Prices subject to change without notice.