

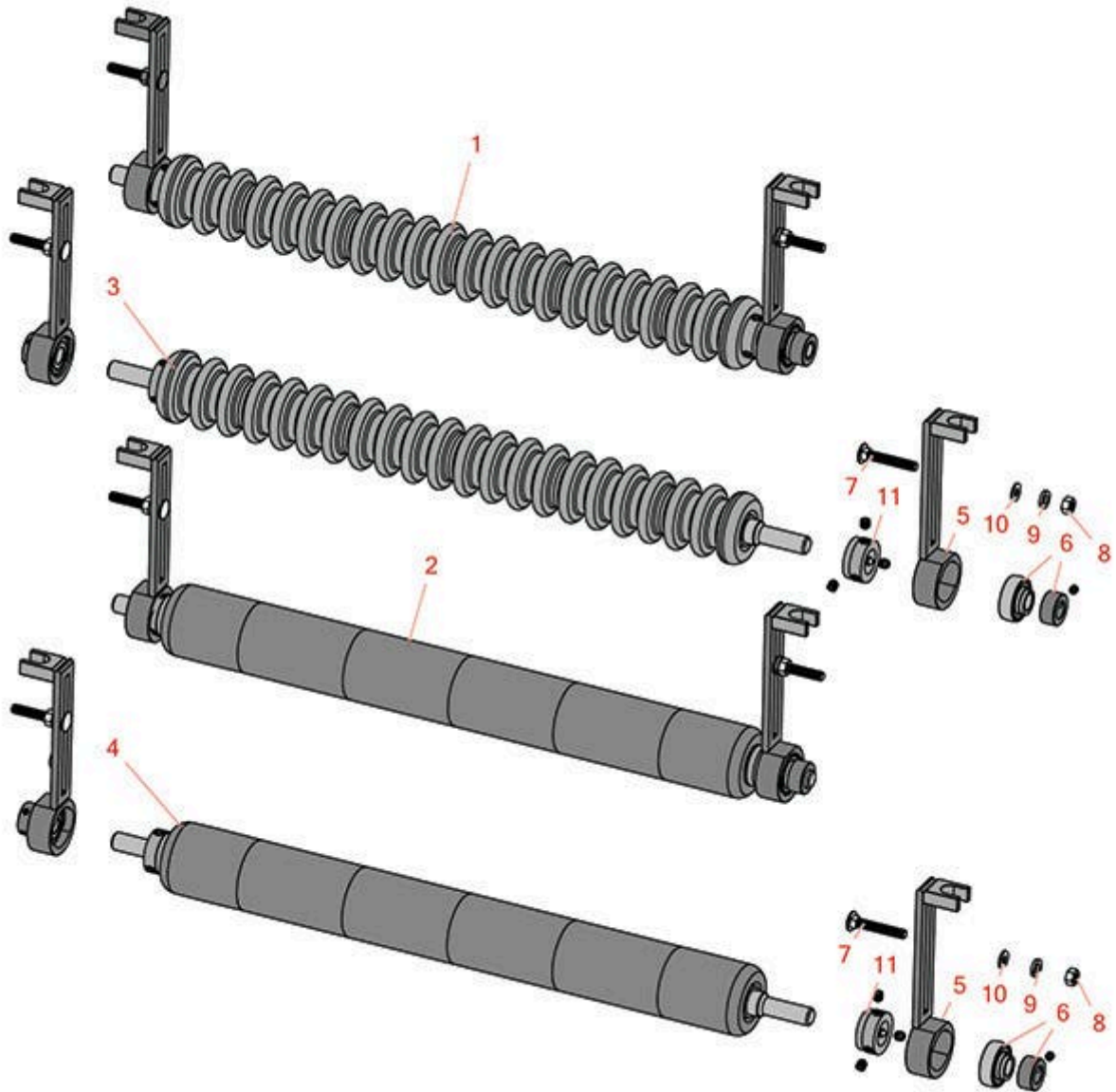


# Replaces Jacobsen Greens King V & VI

## Parts

Cutting Unit

Minuteman Front Roller System



All original equipment manufacturers names and part numbers are used for identification purposes only, and we are in no way implying that our products are original equipment parts. Prices subject to change without notice.



# Replaces Jacobsen Greens King V & VI

## Parts

Cutting Unit

Minuteman Front Roller System



Item No	R&R Part No.	OEM Part No.	Description	Qty Req	Order Quantity
---------	--------------	--------------	-------------	---------	----------------

### Complete Minuteman Roller Systems

1	<b>RMJ1001</b>		Minuteman Front Grooved Roller System	0	
---	----------------	--	---------------------------------------	---	--

*Tech Note: Complete roller systems include roller, two brackets with bearings and mounting hardware.:*

2	<b>RMJ1001S</b>		Minuteman Front Smooth Roller System	0	
---	-----------------	--	--------------------------------------	---	--

*Tech Note: Complete roller systems include roller, two brackets with bearings and mounting hardware.:*

### Minuteman Rollers Only

3	<b>RM511</b>		Minuteman Grooved Roller Only - 22 in	0	
---	--------------	--	---------------------------------------	---	--

*Tech Note: Use with Minuteman Roller Bracket System Only:*

4	<b>RM512</b>		Minuteman Smooth Roller Only	0	
---	--------------	--	------------------------------	---	--

*Tech Note: Use with Minuteman Roller Bracket System Only:*

### Other Parts Available

5	<b>RJ121</b>		Bracket - Front LH/RH	0	
---	--------------	--	-----------------------	---	--

5	<b>RJ121A</b>		Bracket - Front LH/RH Extended	0	
---	---------------	--	--------------------------------	---	--

6	<b>RMMB157</b>		Bearing w/Locking Collar	0	
---	----------------	--	--------------------------	---	--

7	<b>RMM602</b>		Bolt - Carriage 5/16-18 x 2 Gr 5	0	
---	---------------	--	----------------------------------	---	--

8	<b>RMM603</b>		Nut - Hex 5/16-18	0	
---	---------------	--	-------------------	---	--

9	<b>R446136</b>	446134, 446136	Washer - Lock 5/16 Zinc	0	
---	----------------	-------------------	-------------------------	---	--

10	<b>R453009</b>	3256-23, 452004, 452006, 452008, 453009	Washer - Flat 5/16 SAE	0	
----	----------------	---	------------------------	---	--

11	<b>RMM3</b>		End Hub - 7/8 ID	0	
----	-------------	--	------------------	---	--

All original equipment manufacturers names and part numbers are used for identification purposes only, and we are in no way implying that our products are original equipment parts. Prices subject to change without notice.



# Replaces Jacobsen Greens King V & VI

## Parts

*Cutting Unit*

*Minuteman Front Roller System*



All original equipment manufacturers names and part numbers are used for identification purposes only, and we are in no way implying that our products are original equipment parts. Prices subject to change without notice.