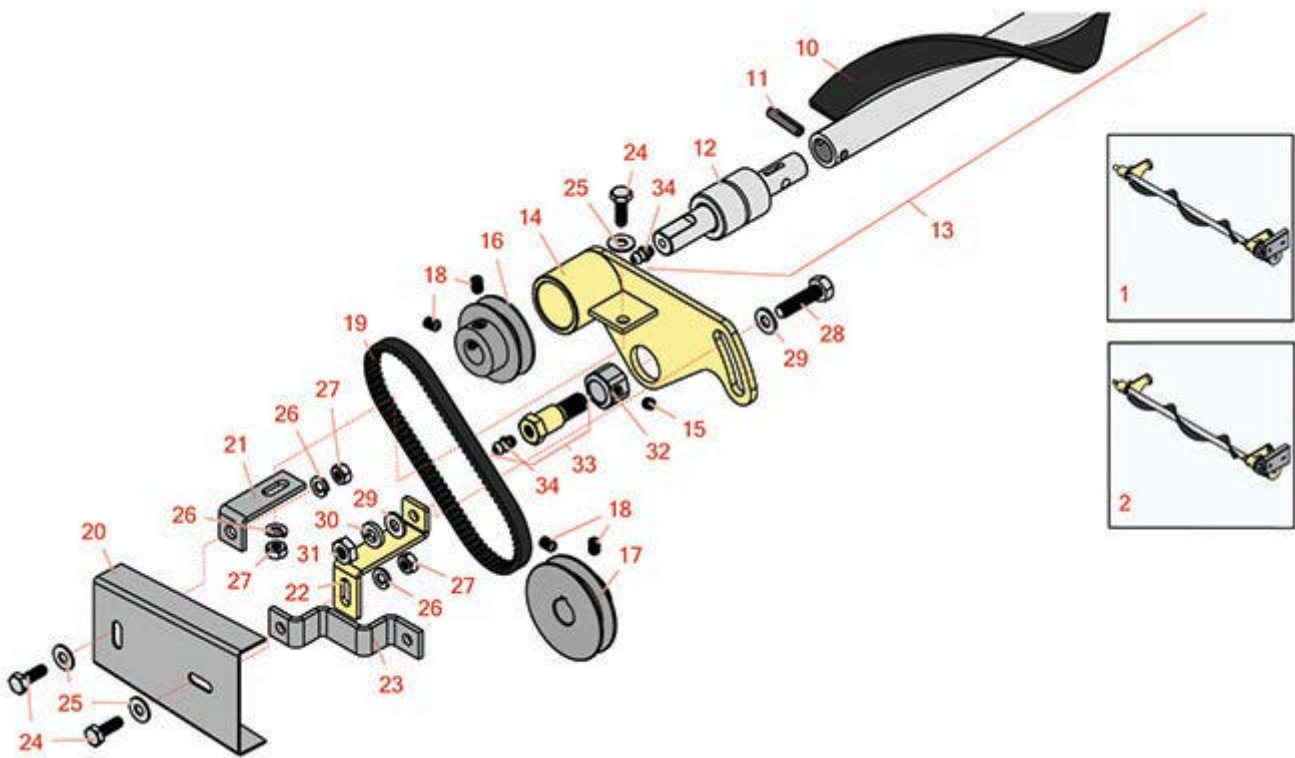




# Replaces Jacobsen Greens King IV Parts

Cutting Unit  
Rear Spiral Brush.



All original equipment manufacturers names and part numbers are used for identification purposes only, and we are in no way implying that our products are original equipment parts. Prices subject to change without notice.



# Replaces Jacobsen Greens King IV Parts

Cutting Unit  
Rear Spiral Brush.



Item No	R&R Part No.	OEM Part No.	Description	Qty Req	Order Quantity
<b>Complete Spiral Brush Kit</b>					
1	<b>R101243</b>	101243	Kit - Rear Roller Spiral Brush	0	
<i>Tech Note: Fits Reels with 5/8" shaft end:</i>					
2	<b>R101244</b>	101244	Kit - Rear Roller Spiral Brush	0	
<i>Tech Note: Fits Reels with 1/2" shaft end:</i>					
<b>Other Parts Available</b>					
10	<b>R131840</b>	131840	Brush - Spiral w/Tube	1	
11	<b>R461387</b>	461387	Pin - Spring Roll 1/4 x 1	2	
12	<b>R554571</b>	554571	Bearing	2	
13	<b>R131841</b>	131841	Tube - Spiral Brush Assy w/Brg	1	
14	<b>R131838</b>	131838	Bracket - RH Spiral Brush	1	
14	<b>R131839</b>	131839	Bracket - LH Spiral Brush	1	
15	<b>R150690</b>	150690, 415509	Screw - Set 1/4-20 x 1/4	4	
16	<b>R338343</b>	338343	Pulley - Spiral Brush	1	
17	<b>R101245</b>		Pulley - Reel Drive 1/2 Bore	1	
17	<b>R338758</b>	338758	Pulley - 5/8 Reel Shaft End	1	
18	<b>R415521</b>	415521, 415522	Screw - Set - 5/16-18 x 3/8	4	
19	<b>R840958</b>	364120, 840958	Belt - Spiral Brush	1	
20	<b>R338348</b>	338348	Shield - Belt Fits Sp Brush Kit	1	
21	<b>R364123</b>	364123	Bracket - Mounting Spiral Br	1	

All original equipment manufacturers names and part numbers are used for identification purposes only, and we are in no way implying that our products are original equipment parts. Prices subject to change without notice.



# Replaces Jacobsen Greens King IV Parts

Cutting Unit  
Rear Spiral Brush.



Item No	R&R Part No.	OEM Part No.	Description	Qty Req	Order Quantity
22	<b>R101246</b>		Bracket - Mounting Spiral Br	1	
<i>Tech Note: Use with R162558 or R239055 Bearing Housing (Square Style):</i>					
23	<b>R364124</b>	364124	Bracket - Mounting Sprial Br	1	
<i>Tech Note: Use with R163396 or R163397 Bearing Housing (Round Style):</i>					
24	<b>R321-4</b>	321-4, 400108	Bolt - Hex HD 1/4-20 x 3/4	0	
25	<b>R453023</b>	453023	Washer - Flat 1/4	3	
26	<b>R3253-3</b>	3253-3, 446128, 446130	Washer - Lock 1/4	0	
27	<b>R443102</b>	443102	Nut - 1/4-20 Yellow Zinc	3	
28	<b>R322-5</b>	400188	Bolt - Hex HD 5/16-18 x 1	2	
29	<b>R453009</b>	3256-23, 452004, 452006, 452008, 453009	Washer - Flat 5/16 SAE	4	
30	<b>R446136</b>	446134, 446136	Washer - Lock 5/16 Zinc	2	
31	<b>R443106</b>	443106	Nut - 5/16-18 Y/Zinc Plated	2	
32	<b>R364121</b>	364121	Nut - Eccentric Adjusting	2	
33	<b>R364118</b>	364118	Bolt - Roller Mount - 7/16-20	2	
34	<b>R302-5</b>	302-5, 471214, 471223, 471226	Fitting - Grease	4	

All original equipment manufacturers names and part numbers are used for identification purposes only, and we are in no way implying that our products are original equipment parts. Prices subject to change without notice.